



Product Specifications - Written

Product Name: Legacy II Side Mount Starting Platform

Part Number: LGCY2 SIDEMNT-A

General Notes:

The **Legacy II Side Mount Starting Platforms** are designed for use on competitive pools. The weldment is stainless steel and is powder coated for corrosion resistance. This platform can be ordered to fit almost any deck and water height variable.

Application:

Depending upon installation design and local codes, this model is suitable for use on competitive pools. The deck to water level dimension determines which platform is to be used as well as the setback from the pool wall.

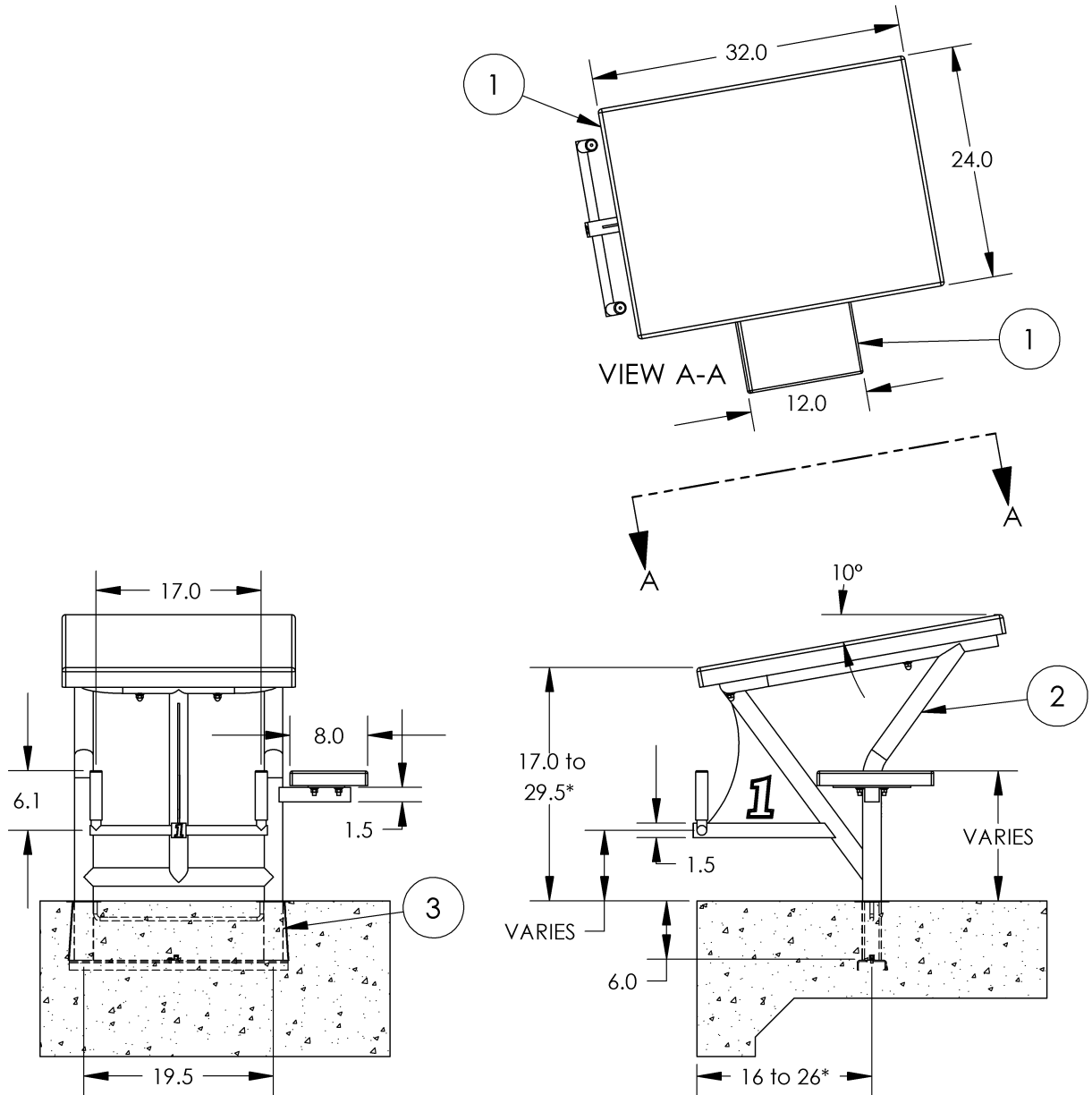
Specifications:

- 1 Step and Platform: Both the step and platform are constructed of an acrylic outer body skin and a non-slip, sand texture tread over a solid laminated board covered with hand-laid fiberglass and resin roving. The platform is mounted onto the weldment at a 10° angle. The step dimensions are 8 x 12” (203.2 x 304.8mm) and the platform dimensions are 24 x 32” (609.6 x 812.8mm).
- 2 Platform Frame: The Legacy platform frame is constructed of 1.90” (48.26mm) dia. stainless steel tubing. The step and backstroke bar are attached to 1.5 in² (38.10mm²) x .065 in wall (1.65mm) stainless steel tubing and have caps welded to the ends. A backstroke bar constructed of 1.00” O.D. x .065 wall (25.40mm x 1.65) stainless steel tubing is also capped with stainless steel. The gusset and step plate are made of .188” (4.78mm) stainless steel. The frame is powder coated for added corrosion resistance.
- 3 Anchor: (p/n 27-108, see spec sheet for SRS-921) The Dual Post RockSolid™ Anchor Assembly is specially designed to prevent rocking of S.R. Smith dual post starting platforms. The assembly consists of two individual RockSolid™ (27-108) anchors welded to a stainless steel channel. Each RockSolid™ Anchor consist of a housing constructed of 4.00” (101.6mm) square x .120” (3.05mm) wall stainless steel tubing welded to a 4.50” (114.3mm) X .125” (3.18mm) square flange. The anchor is provided with a grounding screw, and a urethane resin liner. The bronze adjustable wedge assembly, tightens to secure the starting platform, or loosens to facilitate removal of the starting platform. A stainless steel cap is provided to mount flush on the deck when the platform is removed. A cap removal key is provided with each anchor.

Shipping weight: N/A.

Specification Number:	SRS-309		S.R. Smith, LLC P.O. Box 400, 1017 SW Berg Parkway Canby, Oregon 97013 Tel: (800) 824-4387 (503) 266-2231 Fax: (503) 266-4334 www.srsmith.com
Product Description:	Legacy II Side Mount Starting Platform		
S.R. Smith Part Number:	LGCY2 SIDEMNT-A		
Revision:	B	Date: 08/08/13	
Written By:	J. Maguire	Date: 08/18/05	
Approved By:		Date:	
Page 2 of 2	Proprietary and confidential: The information contained in this specification is the sole property of S.R. Smith LLC. Any reproduction in part or whole without the written consent of S.R. Smith LLC is prohibited.		

LEGACY II SIDE MOUNT STARTING PLATFORM



*Height and setback dimensions to be determined by customer at time of order

Specification Number:	SRS-309		
Product Description:	Legacy II Side Mount Starting Platform		
S.R. Smith Part Number:	LGCY2 SIDEMNT-A	Scale:	NTS
Revision:	B	Date:	08/08/13
Written By:	J. Maguire	Date:	08/18/05
Approved By:		Date:	
Page 1 of 2	Proprietary and confidential: The information contained in this specification is the sole property of S.R. Smith LLC. Any reproduction in part or whole without the written consent of S.R. Smith LLC is prohibited.		

S.R. Smith, LLC
P.O. Box 400, 1017 SW Berg Parkway
Canby, Oregon 97013
Tel: (800) 824-4387 (503) 266-2231
Fax: (503) 266-4334
www.srsmith.com