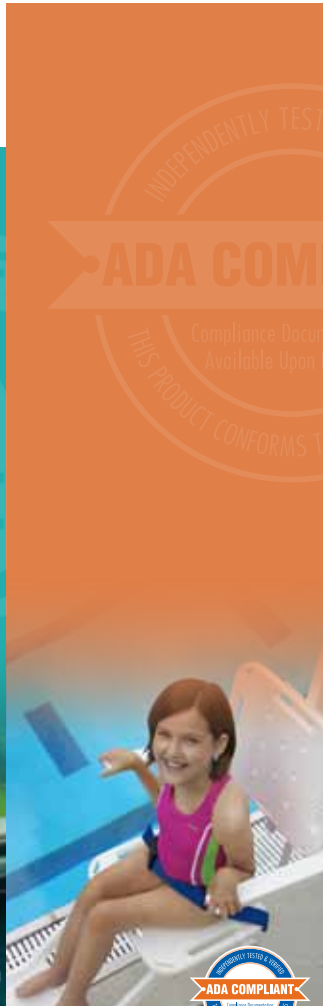


setting the bar **HIGHER**

2012 Full Line Catalog



SRSmith™

Eighty years ago, S.R.Smith began as a wood diving board manufacturer tucked away in the Pacific Northwest. Today, S.R. Smith has two manufacturing sites in the U.S. and is the global leader in pool deck equipment for residential and commercial pools. We have earned our customers trust by developing high-quality customer oriented products, reliable and speedy turnaround times, and envelope-pushing product innovation.

As we look forward to the next 80 years, we are committed to setting the bar higher for everything we do. We will build on our history of introducing innovative, new products for residential and commercial customers. We will also continue to focus on providing exceptional service by utilizing new technologies that make it easy to partner with S.R. Smith for all your pool deck equipment needs.

We will continue to react quickly to important issues in our industry, like when we launched a line of Salt Friendly products that were compatible with salt chlorinator systems, completed rigorous CPSC testing for all of our pool slides, and 3rd party, independent laboratory testing of our ADA-compliant pool lifts.

We believe our actions over the past 80 years speak louder than the words on this page. Look to the right and see for yourself. Whether residential or commercial, for all your deck equipment needs...

—Trust S.R.Smith

NEW PRODUCTS



LiftOperator
Page 4



multiLift
Page 5



Legacy Launch
Page 110



Lane Line
Storage Reel
Page 123

S.R.Smith PRODUCT TIMELINE

2002 Organization of Commercial Division



2003 **New Product:** RockSolid Anchor

2004 **New Product:** Frontier IV Diving Board

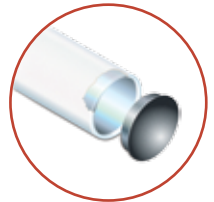
2005 **New Products:** TurboTwister Slide, O-Series Lifeguard Chair



2006 **New Products:** Cyclone Slide, Legacy Side Mount Starting Platform, Legacy II Side Mount Starting Platform

2007 **New Products:** BigRide Slide, FreeStyle Diving Board, HipHop Diving Board, D-Lux Diving Stand, Universal Plastic Anchor, SealedSteel Vinyl-Coated Rail Products.

Technology: www.srsmith.com Redesign, Launched Starting Platform Configurator (www.build-a-block.com)



2008 Added three new product lines: Salt Friendly, Security, Water Features

New Products: Typhoon Slide, Vortex Slide, WetDek Backyard Splash Pad, PoolSonix Pool Alarm System, Universal Starting Platform

Technology: Launched Custom Rail Configurator (www.srsmith.com/customrails)



2009 Purchased Rehamed International and added pool lift product line.

New Products: Dual-post RockSolid Anchor, AquaDirector Control Box

Technology: www.srsmith.com Redesign, Launched online Certified Professional Installer course (www.srsmithcpi.com), Launched www.poollifts.com.



2010 **New Products:** Salt Pool Basketball Game, Salt Pool Volleyball Game, Salt Pool Jump System, PoolSonix Door/Gate Alarm, MAC (Mobile Aquatic Chair)

Technology: Launched Pool Lift Configurator (www.poolliftbuilder.com)



2011 **New Products:** multiLift Adaptive Pool Lift, LiftOperator Intelligent Control, LiftLock Anchor, aXs Pool Lift Caddy, Legacy Launch Starting Platform, Starting Platform Side Handles, Lane Line Storage Reel

Technology: Launched online Pool Lift Access Academy (www.poollifts.com/accessacademy)



Table of Contents

| | | | | | |
|---|----|-----------------------------------|-----|---------------------------------------|-----|
| ACCESSIBILITY PRODUCTS | 2 | Dade County Ladder | 61 | STARTING PLATFORMS | 108 |
| LiftOperator™ | 4 | Dock Ladder | 61 | Legacy Launch | 110 |
| multiLift™ | 5 | Easy-Out Therapeutic Ladder | 62 | Legacy | 112 |
| PAL | 6 | Economy Ladder | 62 | Legacy Long Reach | 112 |
| Splash! | 7 | On-Ground Ladder | 62 | Legacy Side Mount | 112 |
| aXs | 8 | Parallel Look Ladder | 63 | Legacy II | 114 |
| Handy Lift | 9 | Residential Ladder | 63 | Legacy II Side Mount | 115 |
| MAC (Mobile Access Chair) | 10 | Snap-lok | 63 | RecordQuest™ | 116 |
| Accessories | 11 | Standard Plus Commercial Ladder | 64 | RecordQuest Long Reach | 116 |
| Deck Profile Sheet | 12 | California Pretzel | 66 | Varsity Deluxe | 118 |
| Pool Lift Setback Chart | 13 | Commercial Ring | 66 | Universal | 120 |
| BOARDS + STANDS | 14 | Deck Mounted Stair Rails | 67 | Accessories | 122 |
| 2/3 Meter Deck Level Stand | 16 | Figure 4 | 69 | STORAGE REELS | 123 |
| Econoline | 18 | P Rails | 70 | Lane Line Storage Reels | 123 |
| Deluxe 1 & 3 Meter Towers | 20 | PR 500 | 70 | WATER FEATURES | 124 |
| Steel Meter: 1/2, 3/4, 1 | 22 | Pretzel | 71 | WetDek | 126 |
| Cantilever Stand | 24 | Residential Ring | 71 | Deck Jets | 126 |
| Flyte-Deck™ II | 26 | Spa Rail | 72 | AquaDirector | 127 |
| FreeStyle™ & HipHop™ | 28 | Excercise, Training & Therapeutic | 73 | PARTS | 128 |
| Frontier II | 30 | Stanchions | 74 | Anchors | 128 |
| Salt Pool Jump System | 32 | Custom Rail Request Form | 75 | Escutcheons | 131 |
| Supreme | 34 | LIFEGUARD CHAIRS | 76 | Ladder Parts & Accessories | 133 |
| U-Frame™ | 36 | Cantilever | 78 | Flanges | 135 |
| Frontier IV Board | 37 | Guardian | 79 | Epoxy Kits | 136 |
| Diving Board Part Numbers | 38 | Institutional | 80 | Circulation System parts | 136 |
| Boards & Stands Selector | 40 | Low Profile | 81 | Vacuum Parts | 137 |
| ANSI-NSPI-1 2003 Standard for Public Pools | 41 | O-Series | 82 | Stanchion Parts & Accessories | 139 |
| ANSI-NSPI-5 2003 Standard for Residential Inground Pools | 42 | Outlook I & II | 83 | Miscellaneous Parts | 141 |
| Diving Board Identification Guide | 44 | PLS Standard | 84 | Product Care & Maintenance | 142 |
| Jig Identification Guide | 47 | Vista | 85 | Terms & Conditions of Sale | 144 |
| POOL GAMES | 50 | POOL SECURITY | 86 | Warranty | 146 |
| Swim N' Spike Volleyball | 51 | PoolSonix | 88 | Index | 148 |
| Swim N' Dunk Basketball | 52 | PoolSonix Door/Gate Alarm | 89 | | |
| LADDERS + RAILS | 54 | POOL SLIDES | 90 | | |
| Custom Rails | 56 | TurboTwister | 92 | | |
| SealedSteel™ Rails | 57 | Typhoon | 94 | | |
| 2 & 3-Bend Rails | 58 | Cyclone | 96 | | |
| Camelback Ladder | 60 | Rogue™ GrandRapids™ | 98 | | |
| Commercial w/safety Ladder | 60 | AquaBlast™ | 100 | | |
| | | RocketRide™ | 102 | | |
| | | BigRide™ | 104 | | |
| | | Vortex | 106 | | |



Accessibility Equipment

S.R.Smith is known for having the best products in the categories that we offer, so it would only make sense that when adding a complete line of pool lifts to our portfolio of deck equipment, we would offer the best available.

Since 1996, RehaMed has been the world leader in swimming pool access equipment, and in fall of 2009, RehaMed joined the S.R.Smith family.

Location and Usage

Whether you need a basic lift on your backyard pool for a disabled or aging family member, or something heavy-duty, that allows multiple points of access for public pools — we have a pool lift that will work for you.

multiLift — Adaptive (removable or permanent), suitable for heavy-duty use in small areas

PAL — Portable, suitable for heavy-duty use in public facilities

Splash! — Removable, suitable for heavy-duty use in public facilities

aXs — Removable, suitable for personal or small facility use

Compliance

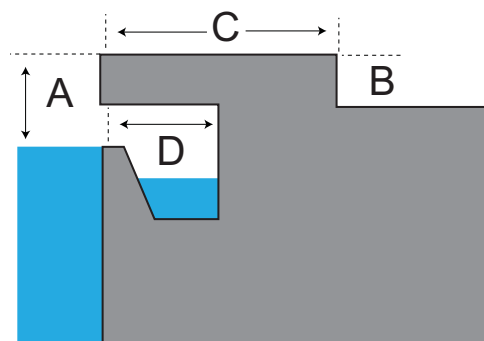
The Americans with Disabilities Act requires that new pool construction and renovated public aquatic facilities be accessible for individuals with disabilities. The following is a chart showing acceptable means of access in relation to the pool's size:

| PERMITTED MEANS OF ACCESS | | | | | |
|---|------------|-------------|-----------------|----------|--------|
| Application type | Pool Entry | Sloped Wall | Transfer System | Transfer | Stairs |
| Lift | | | | | |
| Means of Access | Primary | | Secondary | | |
| Swimming Pool <300 linear feet (One means of access required) | ■ | ■ | | | |
| Swimming Pool >300 linear feet (Two means of access required — One must be a primary means) | ■ | ■ | ■ | ■ | ■ |
| Wave action, lazy river, and other pools where user entry is limited to one area | ■ | ■ | | ■ | |
| Wading Pools | | ■ | | | |
| Spas | ■ | | ■ | ■ | |

Pool lifts are a great option in every case. The state of California also has a set of additional requirements that we have kits for that make compliance easy.

Getting the Right Fit

When measuring your pool for a lift, in general you will need to take the following measurements (not all dimensions will be applicable to you).



- A = deck to water
- B = height of curb
- C = width of curb
- D = width of gutter

Access Academy

There are over 100,000 commercial swimming pools that are required to make their pools accessible to people with disabilities. Learn more about ADA and become a Pool Accessibility Specialist through the S.R.Smith **FREE**, online, on-demand Access Academy. Visit www.poollifts.com/accessacademy or see page 12.

New! Pool Lift Configurator

Which pool lift is right for you? Pools vary greatly, so provide us with some basic information about your pool and let us suggest the best lift for your application. Visit www.poollifts.com to try it today!

New! LiftOperator™ Intelligent Control



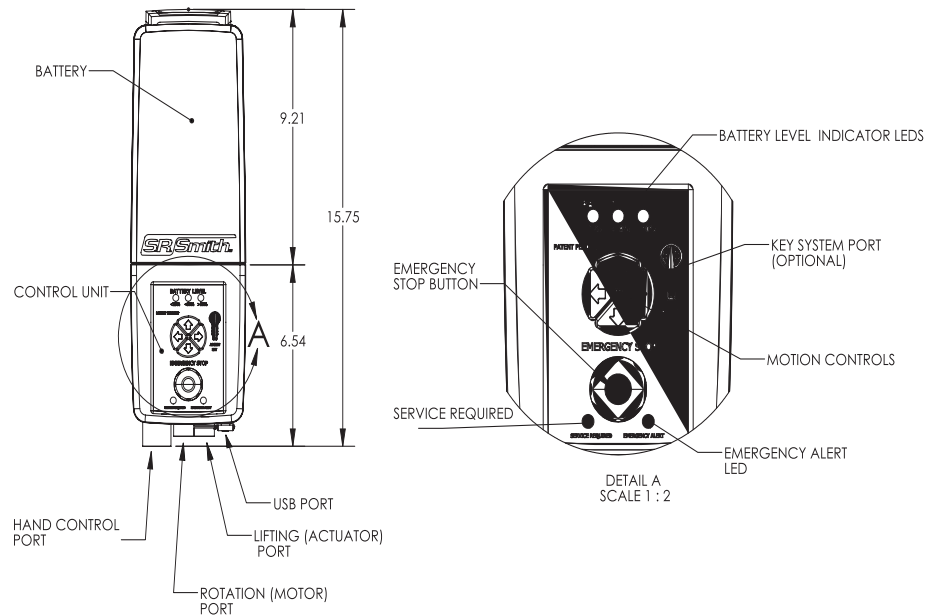
2-Button Control for multiLift
4-Button Control for use with PAL,
Splash! and aXs

LiftOperator brings together self-diagnostics, security, safety and energy management in a single integrated design.

- Backwards compatible with all S.R. Smith and other common pool lifts
- Emergency stop switch
- Hand control activated audible safety alert
- True operational redundancy — lift can be operated from the control box and the handset.
- Optional access key to prevent unauthorized use
- Locking plate assembly to secure battery
- Downloadable performance log
- Battery charge status LED
- Energy efficient (up to 20 times more efficient than common controls)
- Patent pending

Now Standard on all
S.R.Smith ADA-Compliant
Pool Lifts!

| Model No. | Description | Shipping Wt. | L | W | H |
|-----------|---------------------------|--------------|-----|----|----|
| 1001540 | Two Button Control | 10 lbs. | 16" | 5" | 5" |
| 1001545 | Two Button Control w/key | 10 lbs. | 16" | 5" | 5" |
| 1001550 | Four Button Control | 10 lbs. | 16" | 5" | 5" |
| 1001555 | Four Button Control w/key | 10 lbs. | 16" | 5" | 5" |



New! multiLift™ Adaptive Pool Lift



multiLift™ is an adaptive pool lift platform that gives customers the flexibility to have either a fixed or removable lift in a single integrated design.

- 3rd party tested & verified ADA Compliant
- 350 lb/159 kg lifting capacity
- Flange mounted with 4 anchor bolts
- Left or right side mounting
- Powered by the LiftOperator™ Intelligent Control, see page 4
- Wheel-A-Way mobility option provides flexibility to remove the lift for events or storage.
- Made from powder coated stainless steel and aluminum



| Model No. | Description | Shipping Wt. | L | W | H |
|-----------|---|--------------|-----|-----|-----|
| 575-0000 | multiLift | 190 lbs. | 56" | 23" | 23" |
| 575-0100 | multiLift with folding seat | 190 lbs. | 56" | 23" | 23" |
| 575-1000 | multiLift with activation key | 190 lbs. | 56" | 23" | 23" |
| 575-1100 | multiLift with activation key, and folding seat | 190 lbs. | 56" | 23" | 23" |

Includes battery, charger, battery console cover, waterproof control, footrest, seat belt assembly and anchor jig. To order a lift with armrests, drop the last 0 and add a 5 to the end of the part number. Example: 575-0000 becomes 575-0005 for a multiLift with armrests. Ships Class 85.

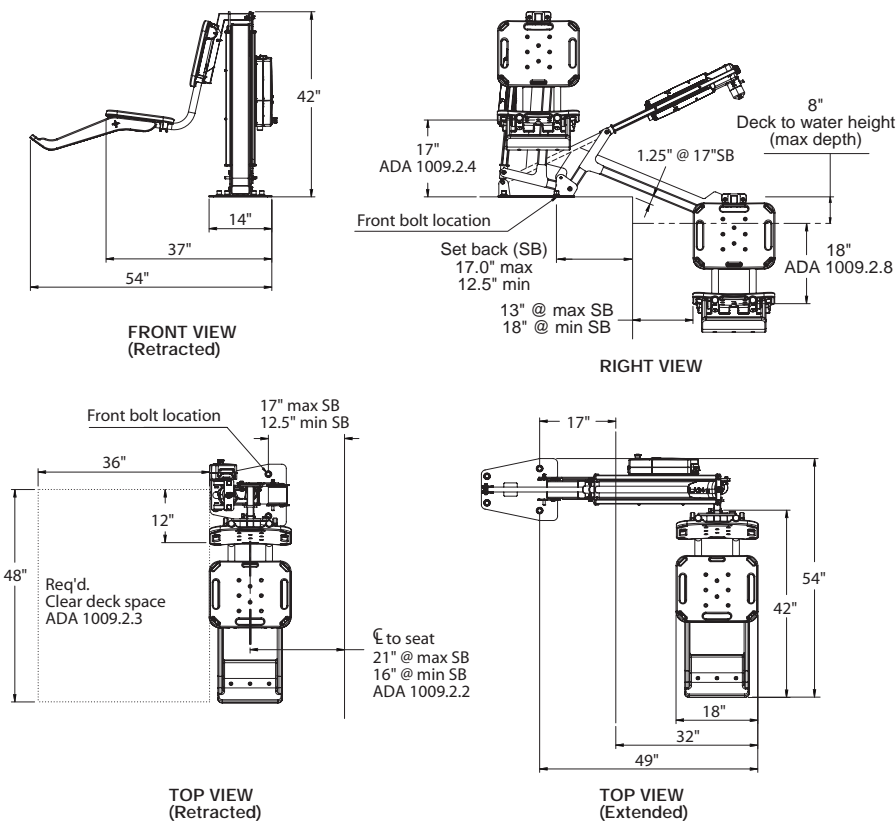
Accessories

- 170-1000 Arm rests
- 500-5100 Total cover
- 500-5500 multiLift Wheel-A-Way
- 160-6000 Folding seat
- 500-5000 multiLift New Construction Jig
- 900-2000 Stability Vest
- 900-4000 Seat Pad



Wheel-A-Way Option

A completed Deck Profile form is required with your pool lift order. See page 12.



PAL Series



Since its introduction in 1997, the PAL (Portable Aquatic Lift) has become the industry standard for portable swimming pool access. The completely portable PAL is the perfect accessory for any commercial aquatic facility.

- 3rd party tested & verified ADA compliant
- 300 lb/136 kg lifting capacity
- Completely portable – no deck fixtures and easy to move by one person
- Conveniently stores away when not in use
- Powered by the LiftOperator Intelligent Control, see page 4.
- True operational redundancy – lift can be operated from the control box and the handset
- 240° rotation ensures a safe transfer area
- Made from powder-coated stainless steel and aluminum



Descriptions for other variations:

- PAL Hi/Lo – A variation of the PAL useful for facilities that have both in-ground pools and above ground spas.
- PAL Spa – Designed for above ground pools and spas up to 48" above the pool deck.

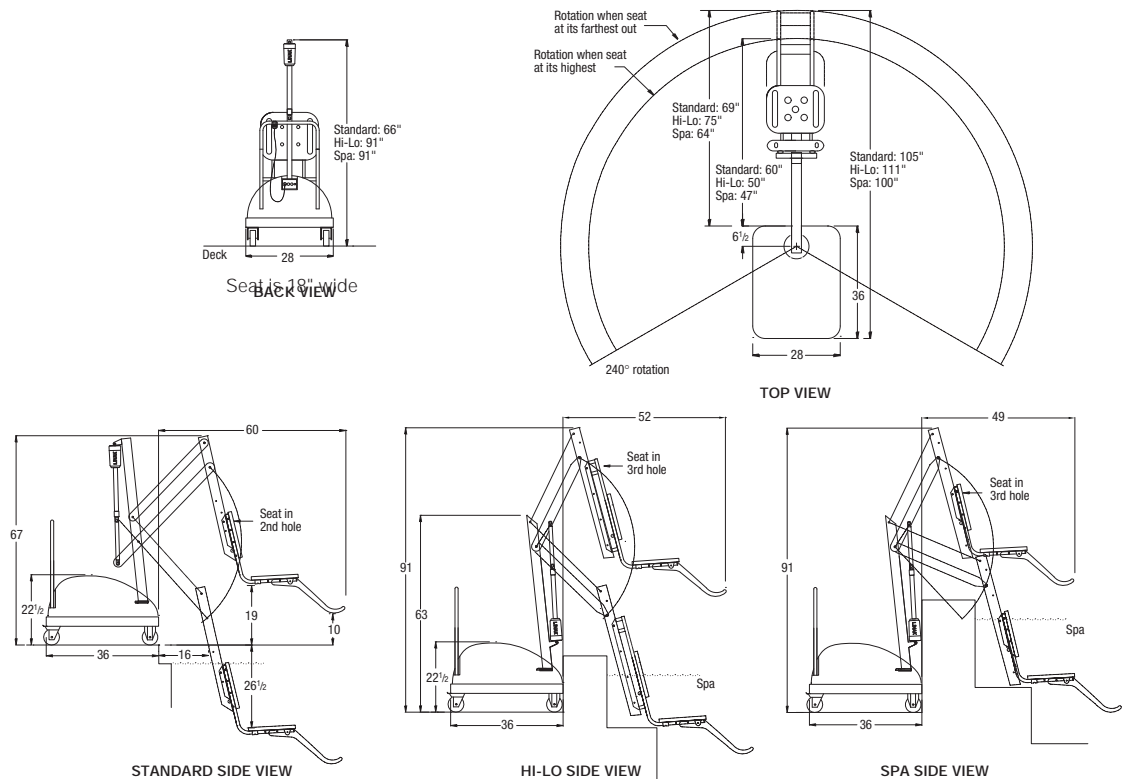
| Model No. | Description | Shipping Wt. | L | W | H |
|-----------|-------------------------|--------------|-----|-----|-----|
| 200-0000 | PAL | 1,195 lbs. | 40" | 48" | 60" |
| 250-0000 | PAL Hi/Lo | 1,195 lbs. | 40" | 48" | 60" |
| 275-0000 | PAL Spa | 1,195 lbs. | 40" | 48" | 60" |
| 290-0000 | PAL California Package* | 1,245 lbs. | 40" | 48" | 60" |

Includes battery, charger, battery console cover, waterproof control, footrest and seatbelt assembly
 To order a lift with arm rests, drop the last 0 and add a 5 — Example: 200-0000 becomes 200-0005 for a PAL with armrests. To order a lift with an Activation Key (for LiftOperator), add a K to the end of the part number.
 *California package includes arm rests, cover and spineboard attachment. Ships Class 85.

A completed Deck Profile form is required with your pool lift order. See page 12.

Accessories:

- 170-1000 Arm Rest Assembly
- 920-2000 Total Cover
- 500-1000 Spineboard Attachment
- 900-2000 Stability Vest
- 900-4000 Seat Pad



Splash! Series



This removable lifting system is designed for swimming facilities seeking to provide user-friendly access to their swimming pools.

- 3rd party tested & verified ADA compliant
- 400 lb/181.5 kg lifting capacity*
- Easily removable from stainless steel deck anchor
- Powered by the LiftOperator Intelligent Control System, see page 4.
- True operational redundancy – lift can be operated from the control box and the handset
- 359° rotation ensures a safe transfer area
- Made from powder-coated stainless steel and aluminum



*Lifting capacity of the Extended Reach model is 300 lb/136 kg

Descriptions for other variations:

- **Splash! Hi/Lo** – A variation of the Splash! useful for facilities that have both in-ground pools and above ground spas.
- **Splash! Spa** – Designed for use with spas up to 48" above the deck.
- **Splash! Extended Reach** – For use with pools with unusual gutter configurations requiring a longer reach.
- **Splash! ER Hi/Lo** – For facilities that have both in-ground pools and above ground spas, requiring a longer reach than the Splash Hi/Lo

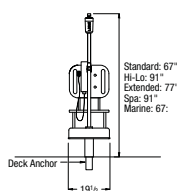
| Model No. | Description | Shipping Wt. | L | W | H |
|-----------|--------------------------------|--------------|-----|-----|-----|
| 300-0000 | Splash! | 281 lbs. | 40" | 48" | 60" |
| 350-0000 | Splash! Hi/Lo | 281 lbs. | 40" | 48" | 60" |
| 370-0000 | Splash! Extended Reach | 381 lbs. | 40" | 48" | 78" |
| 375-0000 | Splash! Spa | 281 lbs. | 40" | 48" | 60" |
| 390-0000 | Splash! California Package* | 275 lbs. | 40" | 48" | 60" |
| 390-2000 | Splash! ER California Package* | 275 lbs. | 40" | 48" | 88" |
| 385-0000 | Splash! ER Hi/Lo | 281 lbs. | 40" | 48" | 88" |

Includes battery, charger, battery console cover, waterproof control, stainless steel anchor socket with cover, footrest and seat belt assembly.
 To order lifts with arm rests, drop the 0 on the end of the part number and add a 5 — so the 300-0000 becomes 300-0005 for a Splash! with arm rests.
 To order a lift with an Activation Key (for LiftOperator), add a K to the end of the part number.
 *California package includes arm rests, cover and spineboard attachment.
 Special Splash! lifts to retrofit into round anchor sockets are also available. Please contact Customer Service for more information. Ships Class 85.

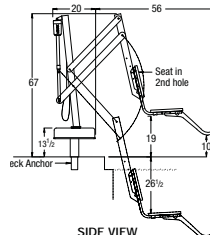
A completed Deck Profile form is required with your pool lift order. See page 12.

Accessories:

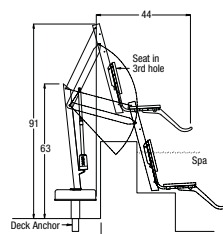
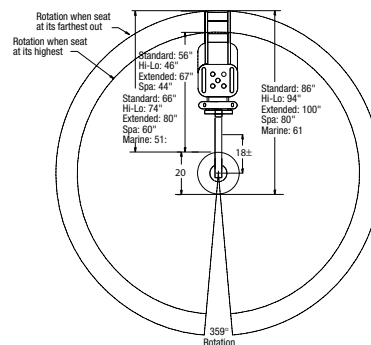
- 400-0000 Caddy
- 170-1000 Arm Rest Assembly
- 940-3000 Total Cover
- 900-4000 Seat Pad
- 500-1000 Spineboard Attachment
- 900-2000 Stability Vest
- 300-6200 Anchor & Cap



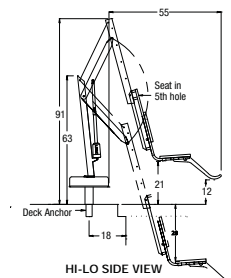
BACK VIEW
Seat is 18" wide



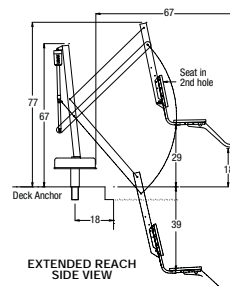
SIDE VIEW



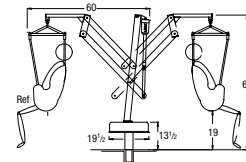
SPA SIDE VIEW



HI-LO SIDE VIEW



EXTENDED REACH SIDE VIEW



MARINE SIDE VIEW

aXs Lift



The aXs lift is a perfect accessory for any backyard pool, where its low profile and attractive appearance make swimming pool access easy.

- 3rd party tested & verified ADA compliant
- 300 lb/136 kg lifting capacity
- Easily removable from LiftLock stainless steel deck anchor
- Powered by the LiftOperator Intelligent Control, see page 4.
- True operational redundancy - lift can be operated from the control box and the handset
- 360° rotation ensures a safe transfer area
- Made from powder coated stainless steel and aluminum



New! LiftLock

The new LiftLock Locking Square Deck Anchor ensures a smoother ride.



| Model No. | Description | Shipping Wt. | L | W | H |
|-----------|--------------------------|--------------|-----|-----|-----|
| AXS1000L | aXs | 125 lbs. | 40" | 48" | 48" |
| AXS1005L | aXs with armrests | 131 lbs. | 40" | 48" | 48" |
| AXS1006L | aXs with caddy | 225 lbs. | 40" | 48" | 57" |
| AXS1007L | aXs with armrests, caddy | 225 lbs. | 40" | 48" | 57" |

Includes battery, charger, battery console cover, waterproof control, LiftLock stainless steel anchor socket with cover, footrest and seat belt assembly.

To order a lift with an Activation Key (for LiftOperator), add a K to the end of the part number.

Ships Class 85

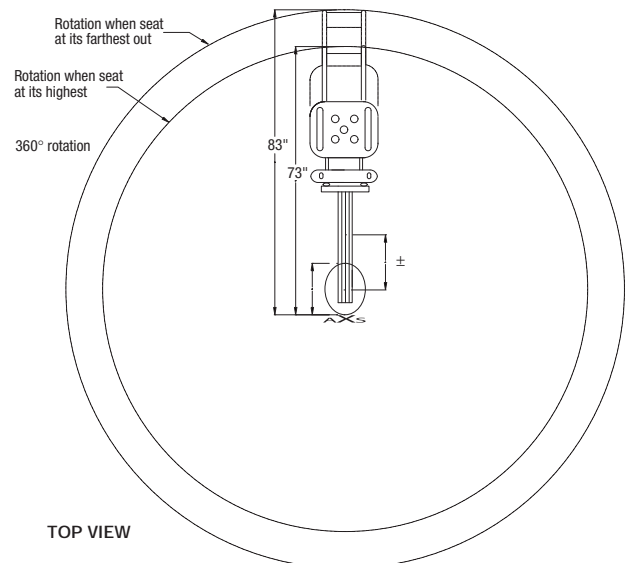
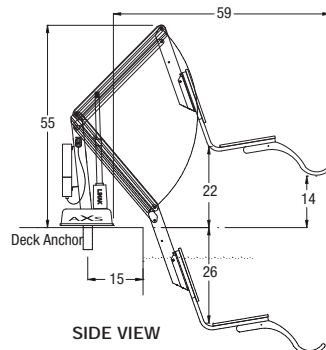
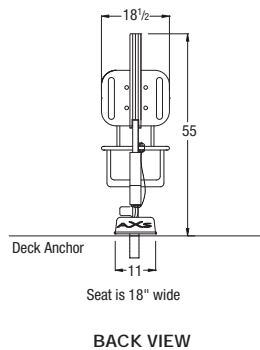
Accessories:

- AX2320 Arm Rest Assembly
- AX9000 Total Cover
- 500-1000 Spineboard Attachment
- 400-2000-AX Caddy*
- 900-2000 Stability Vest
- 900-4000 Wireless Controls
- 300-6200L LiftLock

* ONLY compatible with AXS1000L, AXS1005L, AXS1006L and AXS1007L

aXs Caddies are only compatible with aXs lifts containing these pegs at the base.

A completed Deck Profile form is required with your pool lift order. See page 12.



Handy Lift

(Not ADA-Compliant)



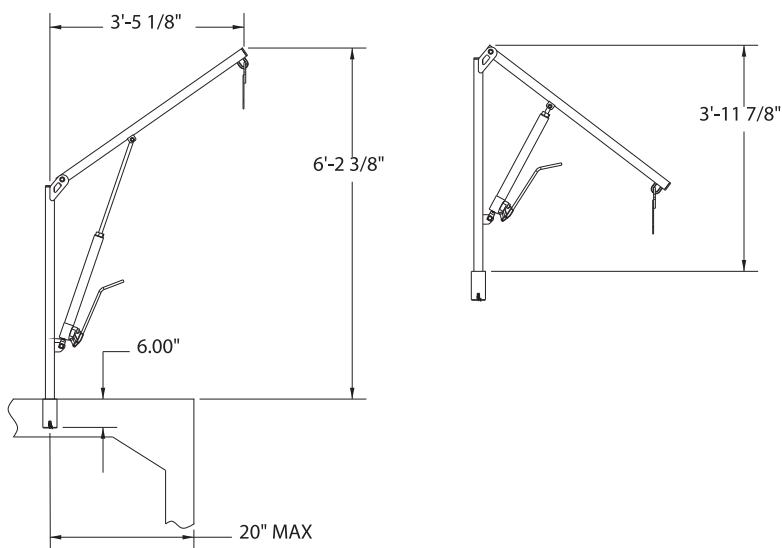
This completely manual hydraulic lift is for residential use only and does not meet ADA guidelines.

- 400 pound lifting capacity
- Semi-permanent installation – easily removable from anchor
- Manual operation by someone other than the user
- Made of 1.90" OD x .145" wall stainless steel
- Heavy-duty mesh sling is included for easy transfer to and from the pool

| Item No. | Description | Shipping Wt. | L | W | H |
|------------|-----------------|-------------------|-----------|-----------|----------|
| HDYL-100 | Handy-Lift | 59 lbs. (2 boxes) | 56" 6" | 16" 6" | 4" 3" |
| 60-801 | Actuator | 15 lbs. | 28" | 17" | 5" |
| 27-101 | Anchor Assembly | 3.7 lbs. | 6" | 6" | 3" |
| 8-611 | Sling Assembly | 2 lbs. | 6" | 6" | 3" |
| 9-300 | Chain Assembly | 1.5 lbs. | | | |
| 69-209-103 | Hardware Kit | .5 lbs. | | | |

Handy-Lift Access Lift Data

| | |
|------------|--|
| Mast | 1.90" x .145" S.S. Type 304 |
| Boom | 1.90" x .145" S.S. Type 304 |
| Anchor | 2 ¹ / ₂ " SCH 40 Pipe S.S. Type 304 with grounding lug |
| Hanger Bar | 3/16" S.S. Type 304 Plate |
| Sling | Heavy duty Dacron mesh |



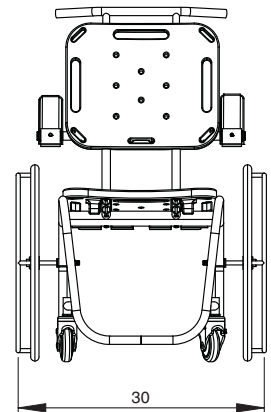
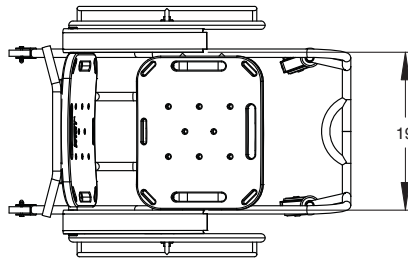
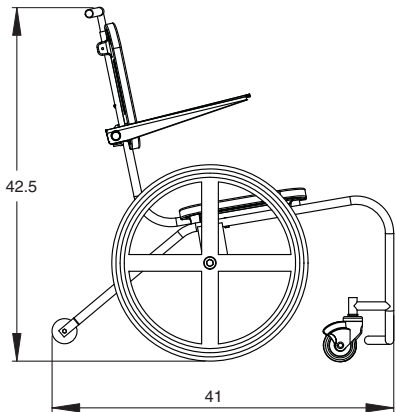
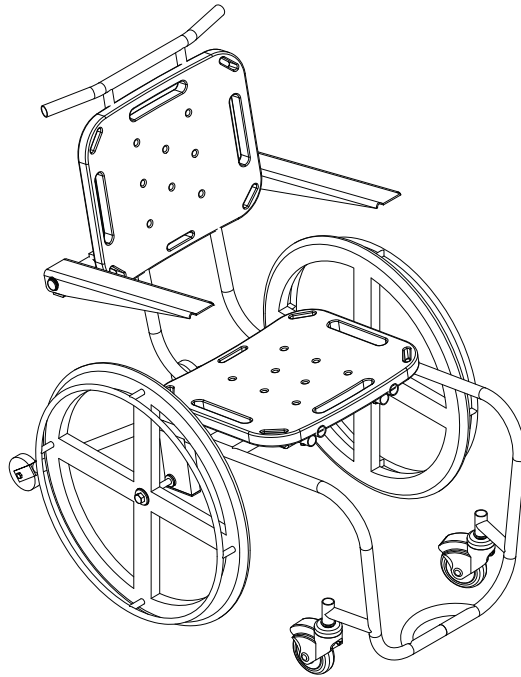
New! MAC (Mobile Aquatic Chair)



Mobile Aquatic Chairs (MAC) are essential for facilities utilizing a ramp, zero-depth entry or movable floor. The MAC is built specifically for use in aquatic environments and with proper maintenance, will look great for years to come.

- Rear stabilizing wheels provide increased stability when the chair is in the water
- Unibody frame construction for increased durability
- Arm rests flip up – easy transfer on and off the chair
- Powder coated stainless steel frame – looks beautiful and resists corrosion
- 18" (46 cm) rotomolded plastic seat – rigid platform provides transfer support
- 300 pound (136 kg) weight capacity

| Model No. | Description | Shipping Wt. | L | W | H |
|-----------|----------------------------|----------------------|-------------------|------------------|----------------|
| AC0000 | MAC (Mobile Aquatic Chair) | 60 lbs. (27.2 kg) | 43" (109.5 cm) | 25" (63.5 cm) | 22" (53 cm) |



Accessories



Folding Seat Assembly - Now your pool lift can take up even less deck space by upgrading your seating system to our new fold-up seat. Not available for PAL Hi/Lo or Splash Hi/Lo.

| | |
|-----------------------|----------|
| Folding Seat Assembly | 160-6000 |
|-----------------------|----------|



Stability Vest – The stability vest was designed to facilitate the transfer of individuals with limited or no independent upper body or trunk stability. The vest attaches the user to the chair, strapping them in for support.

| | |
|----------------|----------|
| Stability vest | 900-2000 |
|----------------|----------|



Arm Rests – Optional, flip-up armrests are available for all lifts. This accessory item can be retrofitted to a lift after it has been delivered. The armrests are available in white, for PAL, multiLift and Splash! models, and in gray for the aXs.

| | |
|----------------------------|----------|
| PAL, Splash! and multiLift | 170-1000 |
| aXs | AX2320 |



Seat Pad – White, waterproof seat pad designed to enhance comfort and minimize potential skin damage that could occur during transfer is available as an optional accessory.

| | |
|----------|----------|
| Seat pad | 900-4000 |
|----------|----------|



Spine Board Attachment – The Spine Board Attachment works with any standard spine board (not included). Simply remove the chair assembly by pulling the attachment pin and replace that assembly with the Spine Board Attachment. One person can easily extract an injured swimmer from a pool, keeping the injured person fully supine during the procedure.

| | |
|------------------------|----------|
| Spine board attachment | 500-1000 |
|------------------------|----------|



Covers – Protect your investment with a full, all-weather cover, made from Solution Dyed Polyester.

| | |
|-----------|----------|
| multiLift | 500-5100 |
| PAL | 920-2000 |
| Splash! | 940-3000 |
| aXs | AX9000 |



Battery Console Covers – Made of Solution Dyed Polyester.

| | |
|-----------|----------|
| multiLift | 500-5200 |
| PAL | 920-1000 |
| Splash! | 930-1000 |
| aXs | AX9002 |



Caddy – Caddies facilitate handling, transporting and storing a Splash! or aXs lift. Made from powder coated steel for surface protection. Caddies simplify insertion and removal of the connector shaft into the pool deck and doubles as a convenient storage rack for the lift when not in use.

NOTE: aXs Caddy is ONLY compatible with AXS1000L, AXS1005L, AXS1006L, and ASX1007L



| | |
|---------------|-------------|
| Splash! Caddy | 400-0000 |
| aXs Caddy | 400-2000-AX |



Linak



LiftOperator

Battery & Charger – All pool lifts are powered by a 24 volt, rechargeable battery. This battery should be left on the charger when not in use.

| | |
|------------------------|----------|
| Battery (Linak) | 100-2000 |
| Charger (Linak) | 100-3500 |
| Battery (LiftOperator) | 1001495 |
| Charger (LiftOperator) | 1001530 |



Pool Lift Available Sign – This 9" x 12" metal sign can be posted at your facility to let guests know about your pool lift.

| | |
|--------------------------|----------|
| Pool Lift Available Sign | 900-5000 |
|--------------------------|----------|

deck profile sheet*

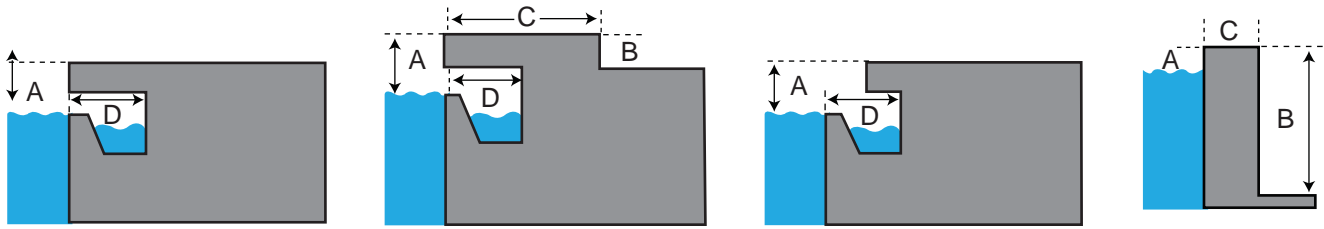
pool lifts

*Deck profile form must accompany your pool lift order.

1. Preferred Lift: PAL Splash! aXs multiLift

2. Gutter Configuration:

Fully recessed gutter Fully recessed gutter w/parapet Partially recessed gutter Above ground spa



Rollout gutter Flush gutter and deck w/ or w/o bullnose Standard backyard pool Bull Nose Coping



If none of the images above match your gutter configuration, please draw the shape on a separate piece of paper and attach.

3. Deck Material (check one): Concrete Pavers

4. Distance from pool deck to water line (A): _____

If applicable:

5. Height of curb (B): _____

6. Width of curb (C): _____

7. Width of gutter (D): _____

8. Bull Nose radius (E): _____

9. Decorative stone setback: _____

Check this box to confirm that you have checked to make sure the location of the lift will meet the ADA Clear Deck Space Requirement (1009.2.3):

“On the side of the seat opposite the water, a clear deck space shall be provided parallel with the seat. The space shall be 36” wide minimum and shall extend forward 48” minimum from a line located 12” behind the rear edge of the seat.”

Note: Pool lifts are application specific. Please provide accurate measurements for your pool in the space provided. S.R.Smith will confirm that the lift selected will meet the location and installation requirements based on the ADA Design Standards (2010) or suggest an alternative lift that will meet the requirements. S.R.Smith bears no responsibility due to misapplication of a lift without a completed Deck Profile Sheet on record.

**Fax this completed form to 503.266.4334, email to sales@srsmith.com,
or complete the form online at www.srsmith.com/liftprofile**

| | | |
|---|-----------|-------|
| Name of Distributor Lift Will Be Purchased From | City | State |
| Your Name | Email | Phone |
| Project Name | PO Number | |

toll free 800.824.4387
fax 503.266.4334
web www.poollifts.com



Pool Lift Setback Chart

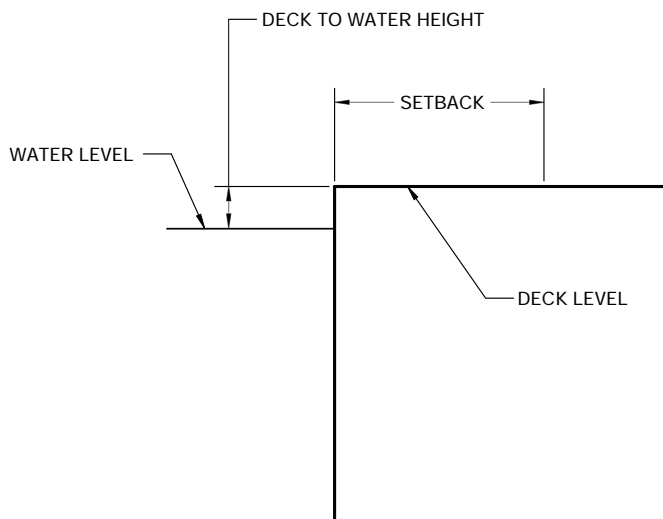
The chart below is provided to help determine the required setback for the various lifts on a Standard Backyard Pool. This information is in conjunction with the Pool Lift Deck Profile Sheet on the facing page, and allows for quick determination of the pool lift that will work for your application.

| | Deck To Water Level | 0" | 2" | 4" | 6" | 8" | 10" | 12" |
|---------------|---------------------|-------------|----------------|----------------|---------------|-----------|-----------|-----------|
| Setback Range | PAL | 16" - 24" | 16" - 23" | 16" - 22" | 16" - 21" | 16" - 19" | 16" | 16" |
| | PAL Hi-Lo | 16" - 28" | 16" - 26" | 16" - 24" | 16" - 22" | 16" - 20" | 16" - 18" | 16" |
| | Splash!* | 16" - 29" | 16" - 28" | 16" - 26" | 16" - 24" | 16" - 22" | 16" - 20" | 16" - 18" |
| | Splash! Hi-Lo* | 16" - 34" | 16" - 32" | 16" - 30" | 16" - 28" | 16" - 26" | 16" - 23" | 16" - 20" |
| | Splash! ER* | 16" - 46" | 16" - 44" | 16" - 42" | 16" - 40" | 16" - 38" | 16" - 36" | 16" - 34" |
| | Splash! ER Hi-Lo* | 16" - 50" | 16" - 48" | 16" - 46" | 16" - 44" | 16" - 42" | 16" - 40" | 16" - 38" |
| | aXs* | 16" - 25" | 16" - 23" | 16" - 21" | 16" - 19" | 16" - 17" | N/A | N/A |
| | multiLift** | 8.50" - 13" | 8.50" - 11.75" | 8.50" - 10.75" | 8.50" - 9.50" | 8.50" | N/A | N/A |

*Set-back from pool wall (standard backyard) or end of bullnose (bullnose coping) to center of anchor.

**Set-back from pool wall (standard backyard) or end of bullnose (bullnose coping) to front edge of base.

STANDARD BACKYARD DECK





Diving Boards + Stands

To ensure maximum safety and performance of your diving equipment, here are some things to consider when selecting a diving board for your pool.

Board Flexibility/Reaction

Diving boards come in a wide range of shapes, styles and with varying degrees of flex or spring. Boards and stands are defined in three distinct ways, according to their level of flex:



Jump Boards – a flexible board on a base that utilizes a spring mechanism.

Diving Boards – a flexible board on a rigid base.

Platform – a rigid board on a rigid base.

The type of combination you may have on your pool is limited by the size of pool's diving envelope. For more information on where it is appropriate to use a Jump Board or Diving Board, please see page 43.

Pool Type

The pool industry association has authored a safety standard that outlines which types of board and stand combinations (listed above) are appropriate for pools, based on the size of the pool's diving envelope. Residential pools can be defined as a Type 0 through a Type V. Public pools can be defined up through a Type IX. See pages 41-43 for more details.



A pool type is determined by a series of depth measurements at different spots in the pool. You can learn more about how to type your pool through our online Certified Professional Installer Course at

www.srsmithcpi.com

We also have a set of professional tools that can aid you in measuring and typing your pool. You can find them at www.srsmith.com/pooltools

New, Replacement, or Retrofit?

While all of our diving boards can be installed on new pools, provided they meet safety standards, we also have a couple of options for replacement diving boards.

- To retrofit a diving board to an existing pool, you can drill holes in the deck and use one of our epoxy kits (page 136) for jig installation.
- To replace an existing diving board with something new, take a look at our jig identification guide on page 47. A wide variety of our boards and stands utilize the same jig, so upgrading your stand and board combination is simple.

Aesthetics

All of our diving boards are available in beautiful designer colors to match your backyard décor, even colors to complement your pool slide or powder coated or SealedSteel rails.

Environmental corrosives can affect the way your pool looks too. S.R.Smith uses only stainless steel hardware and also has a variety of stands with minimal exposed metal that will perform well in challenging pool environments.

S.R.Smith is a proud founding member of the Diving Board Safety Network.

DivingBoardSafety.net





COMMERCIAL

2/3-Meter Deck Level Stand

This versatile, mid-sized tower is a great choice for an aquatic facility that is limited on space.

- Made of carbon steel, coated with a primer and ready for a high-quality paint topcoat.
- Pair with an 8', 10' or 12' board to find the right size for your commercial diving pool.
- Platform tray has two sets of 6" slots for proper fulcrum placement and adjustment.
- Handrails are not included but are strongly recommended and are made of 1.90" OD, .065" wall stainless steel.

Pairs with:



Frontier III Commercial



Swim Club



Olympian

| Item No. | Board | Shipping Wt. | L | W | H |
|----------|---|--------------|-----|-----|-----|
| DLS-100 | 8' | 130 lbs. | 63" | 36" | 18" |
| DLS-100 | 10' | 130 lbs. | 63" | 36" | 18" |
| DLS-101 | 10' | 140 lbs. | 63" | 36" | 18" |
| DLS-101 | 12' | 140 lbs. | 63" | 36" | 18" |
| 25-104 | DLS-100 Handrails & Hardware (order separately) | 40 lbs. | 56" | 36" | 18" |
| 25-106 | DLS-101 Handrails & Hardware (order separately) | 48 lbs. | 68" | 35" | 2" |
| 25-104A | Handrail Only | 32 lbs. | 56" | 36" | 18" |
| 25-106A | Handrail Only | 40 lbs. | 68" | 35" | 2" |

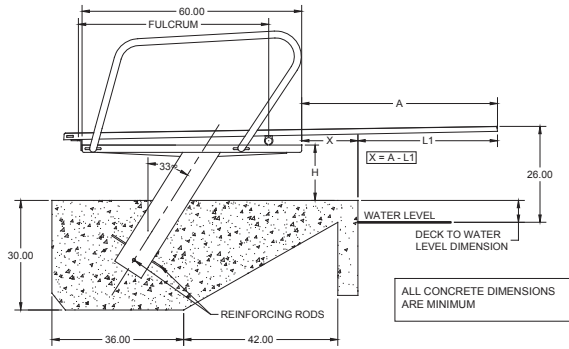
NOTES

Diving boards and towers are sold separately
 *Not recommended for salt chlorine pools
 Ships on a pallet

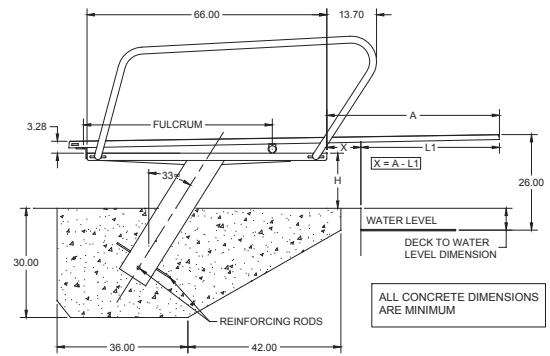
All installations must comply with all applicable local and national codes and installation must be completed in accordance with S.R.Smith installation instructions.

See pages 38-39 for diving board part numbers.

DLS-100

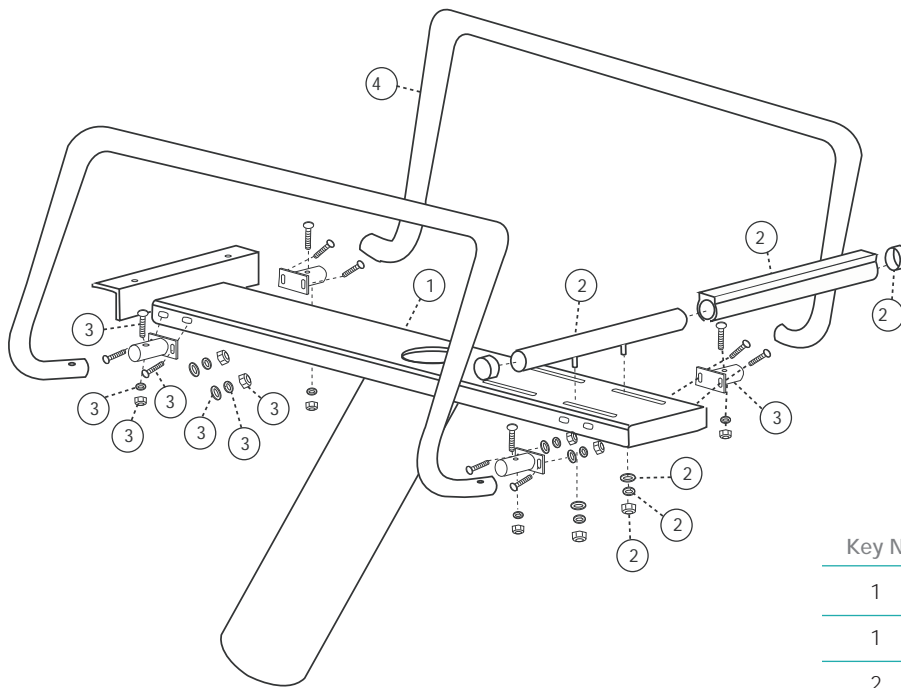


DLS-101



Installation Dimensions

| Model | Type | Length | Fulcrum | A | H | L1 |
|---------|------|--------|---------|---------|-------------------------------|-----|
| DLS-100 | VI | 8' | 40" | 29 1/2" | H = 20" - Deck to Water Level | 30" |
| | VI | 10' | 52" | 53 1/2" | H = 20" - Deck to Water Level | 30" |
| DLS-101 | VI | 10' | 52" | 47 1/2" | H = 20" - Deck to Water Level | 30" |
| | VII | 12' | 62" | 71 1/2" | H = 20" - Deck to Water Level | 36" |



| Key No. | Part No. | Description |
|---------|----------|----------------------|
| 1 | DLS-100A | DLS-100 Stand |
| 1 | DLS-101A | DLS-101 Stand |
| 2 | 25-103 | Fulcrum Assembly |
| 3 | 25-200 | Handrail Bracket Kit |
| 4 | 25-104A | DLS-100 Handrails |
| 4 | 25-106A | DLS-101 Handrails |

COMMERCIAL

Econoline™ 1 Meter Stand



A durable, all-purpose diving tower for commercial aquatic facilities.

- Made of carbon steel, coated with a primer – we recommend a high-quality acrylic urethane enamel for a durable finish.
- Pair with 12' or 14' diving boards to find the right size for your commercial diving pool.
- Platform tray has two 6" slots for proper fulcrum placement and adjustment.
- 1.90" OD, .065" wall stainless steel handrails are not included but are required.

| Item No. | Board | Shipping Wt. | L | W | H |
|--|-------|--------------------|------------|-----------|-----------|
| E-CAT-1M-100 | 12' | 315 lbs. (2 boxes) | 86" 27" | 21" 4" | 59" 4" |
| E-CAT-1M-101 | 14' | 365 lbs. (2 boxes) | 92" 27" | 21" 4" | 59" 4" |
| 25-106 Handrails & Hardware (order separately) | | 48 lbs. | 68" | 35" | 2" |
| 25-106A Handrail Only | | 48 lbs. | 68" | 35" | 2" |

Pairs with:



Eureka (14' only)



Frontier III Commercial



Swim Club



Olympian

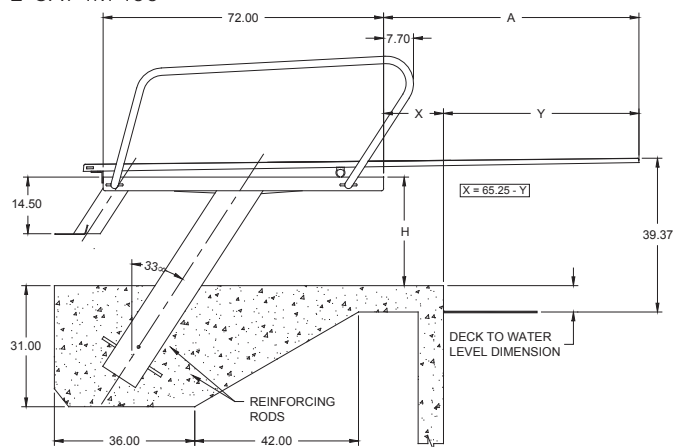
NOTES:

Diving Boards and Towers are Sold Separately. Not recommended for salt chlorine pools. Ships on a pallet.

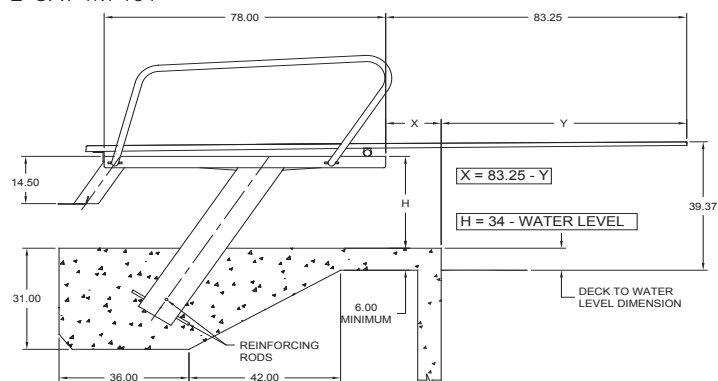
All installations must comply with all applicable local and national codes and installation must be completed in accordance with S.R.Smith installation instructions.

See pages 38-39 for diving board part numbers.

E-CAT-1M-100

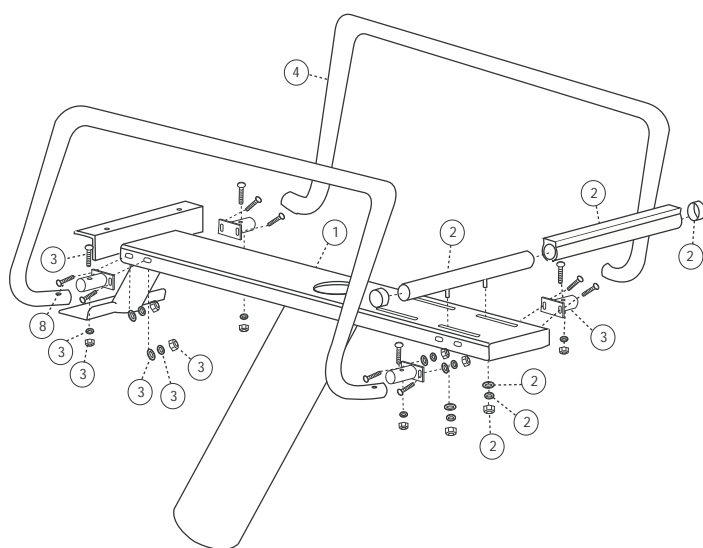


E-CAT-1M-101



Installation Dimensions

| MODEL NO. | Type | Length | Fulcrum | A | H | Y |
|--------------|------|--------|---------|---------|------------------------------|-----|
| E-CAT-1M-100 | VII | 12' | 62" | 65 1/2" | H = 34"- Deck to Water Level | 36" |
| E-CAT-1M-101 | VIII | 14' | 74" | 83 1/2" | H = 34"- Deck to Water Level | 48" |



| Key No. | Part No. | Description |
|---------|---------------|----------------------|
| 1 | E-CAT-1M-100A | E-CAT-100 Stand |
| 1 | E-CAT-1M-101A | E-CAT-101 Stand |
| 2 | 25-105 | Fulcrum Assembly |
| 3 | 25-200 | Handrail Bracket Kit |
| 4 | 25-106A | Handrails |

COMMERCIAL

Deluxe 1 & 3 Meter Towers

CAT-3M-203R
Right MountCAT-1M-203H
Heel Mount

- Made of carbon steel, coated with a primer – we recommend a high-quality acrylic urethane enamel for a durable finish.
- Available in 1 or 3 meter heights with either a dual, heel, left or right mount ladder
- Pair with 14' or 16' diving boards to find the right size for your commercial diving pool
- Handrails are included and are made of 1.90" OD, .065" wall stainless steel
- Comes standard with a quick adjustable fulcrum (QAF-100) and stainless steel handrails

| Item No. | Description | Shipping Wt. | L | W | H |
|--------------|--|--------------|------|-----|-----|
| CAT-1M-203D | 1 Meter Tower Dual Mount | 1000 lbs. | 132" | 40" | 48" |
| CAT-1M-203H | 1 Meter Tower Heel Mount | 1000 lbs. | 132" | 40" | 48" |
| CAT-1M-203HA | 1 Meter Tower Heel Mount w/alternate jig | 1000 lbs. | 132" | 40" | 48" |
| CAT-1M-203L | 1 Meter Tower Left Mount | 900 lbs. | 132" | 40" | 48" |
| CAT-1M-203R | 1 Meter Tower Right Mount | 900 lbs. | 132" | 40" | 48" |
| CAT-3M-203D | 3 Meter Tower Dual Mount | 1400 lbs. | 132" | 40" | 48" |
| CAT-3M-203H | 3 Meter Tower Heel Mount | 1250 lbs. | 132" | 40" | 48" |
| CAT-3M-203HA | 3 Meter Tower Heel Mount w/alternate jig | 1250 lbs. | 132" | 40" | 48" |
| CAT-3M-203L | 3 Meter Tower Left Mount | 1175 lbs. | 132" | 40" | 48" |
| CAT-3M-203R | 3 Meter Tower Right Mount | 1175 lbs. | 132" | 40" | 48" |

Not recommended for salt chlorine pools

All installations must comply with all applicable local and national codes and installation must be completed in accordance with S.R.Smith installation instructions.

Pairs with:



Eureka



Frontier III Commercial



Swim Club

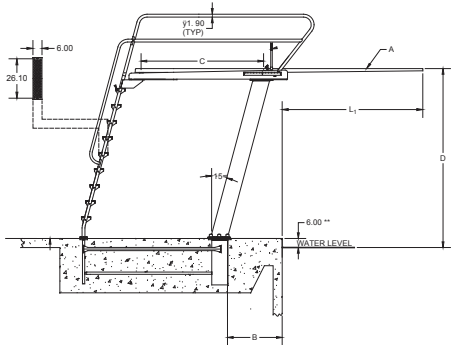


Olympian

See pages 38-39 for diving board part numbers.

www.srsmith.com

Installation Dimensions



| Model | Board A | Pool Type | Distance for setting front bolt of jig from water's edge B | Fulcrum setting C +/- 6" | Maximum overhang | Maximum height of board above water D |
|---------|---------|-----------|--|--------------------------|------------------|---------------------------------------|
| 1 Meter | 14' | VIII | 36-5/16" | 74" | 4'-0" | 39-3/8" |
| 1 Meter | 16' | VIII | 60-5/16" | 86" | 4'-0" | 39-3/8" |
| 1 Meter | 14' | IX | 12-5/16" | 74" | 6'-0" | 39-3/8" |
| 1 Meter | 16' | IX | 36-5/16" | 86" | 6'-0" | 39-3/8" |
| 3 Meter | 14' | IX | 33-1/4" | 74" | 6'-0" | 118-1/8" |
| 3 Meter | 16' | IX | 57-1/4" | 86" | 6'-0" | 118-1/8" |

NOTES

Consult your local installation design codes to determine stand sizes and board lengths.

Diving boards and towers are sold separately.

*Dimensions vary according to the type of pool the tower is to be installed on. See 1 & 3 Meter Tower Installation Booklet for pool type and installation instructions.



CAT-1M-203L
Left Mount

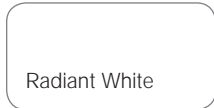


CAT-3M-203D
Dual Mount

COMMERCIAL Steel Meter Stand



Stand Color



Actual product colors may vary.

All installations must comply with all applicable local and national codes and installation must be completed in accordance with S.R.Smith installation instructions.

Pairs with:



Frontier III Board (8' and 10' only)

Or upgrade to:



Frontier III Commercial



Swim Club



Olympian

Steel Meter stands are ideal for users that want the best stand money can buy.

- Made of strong steel, powder coated for increased corrosion resistance.
- 8', 10' or 12' lengths – find the right size for your diving pool!
- Stand comes in white, with your choice of board color.
- Stainless steel hardware for added corrosion resistance.
- Board has a matching, non-slip sanded tread for maximum safety.
- Stand comes in 1/2, 3/4, or 1 meter heights.*

* 1 M heights require handrails – order separately

Steel Meter Stands*

| Model No. | Board Size | Stand | Shipping Wt. | L | W | H |
|------------|------------|-----------------|--------------|-----|-----|-----|
| 70-209-501 | 8' | 1/2 Meter Stand | 118 lbs. | 45" | 18" | 14" |
| 70-209-502 | 10' | 1/2 Meter Stand | 137 lbs. | 58" | 18" | 14" |
| 70-209-510 | 10' | 3/4 Meter Stand | 173 lbs. | 58" | 23" | 18" |
| 70-209-512 | 12' | 3/4 Meter Stand | 197 lbs. | 67" | 23" | 18" |
| 70-209-520 | 10' | 1 Meter Stand | 203 lbs. | 57" | 31" | 18" |
| 70-209-522 | 12' | 1 Meter Stand | 225 lbs. | 67" | 31" | 18" |

*Not recommended for salt chlorine pools

Handrails

| Model No. | Description | Shipping Wt. | L | W | H |
|------------|------------------------|--------------|-----|-----|----|
| 71-209-550 | Handrail for 8' Board | 44 lbs. | 64" | 36" | 6" |
| 71-209-551 | Handrail for 10' Board | 46 lbs. | 36" | 78" | 6" |
| 71-209-552 | Handrail for 12' Board | 48 lbs. | 36" | 88" | 6" |

Installation Dimensions

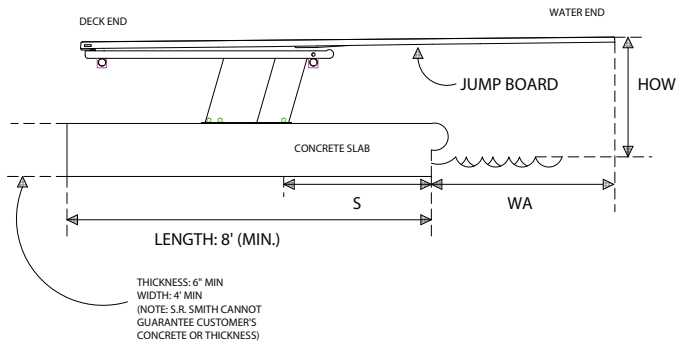
| Stand | Diving Board Size | ANSI/NSPI-5 Pool Type of jig from water's edge (S)** | Distance for setting front bolt | Minimum overhang ±3" (WA)* (HOW) | Maximum height of board above water |
|-----------|-------------------|--|---------------------------------|----------------------------------|-------------------------------------|
| 1/2 Meter | 8' | II | 39" | 18" | 20" |
| | | III | 33" | 24" | 26" |
| | | IV | 27" | 30" | 30" |
| | | V | 21" | 36" | 40" |
| | | III | 45" | 24" | 26" |
| 10' | | IV | 39" | 30" | 30" |
| | | V | 33" | 36" | 40" |
| | | IV | 46" | 30" | 30" |
| 3/4 Meter | 10' | V | 40" | 36" | 40" |
| | | V | 51" | 36" | 40" |
| 1 Meter | 10' | V | 43" | 36" | 40" |
| | | V | 57" | 36" | 40" |

*S and WA dimension are valid only in conjunction with minimum depth at point A

**When coping is used do not set front bolts of jig closer than 3" from the back edge of the coping.

See pages 38-39 for diving board part numbers.

www.srsmith.com



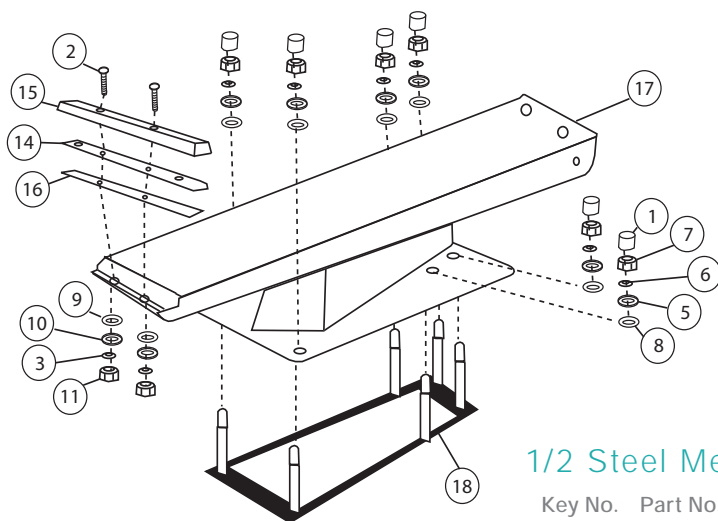
Frontier IV Board

The special Steel Meter Stand designed specifically for our Frontier IV board is a great alternative to consider for pools with heavy diving traffic and more athletic pool users.

Steel Meter with Frontier IV board – 68-209-2582

- The Frontier IV board comes in an 8' length
- Mounting bolts are on 11" centers
- Frontier IV comes in white, with a matching non-slip sanded tread for maximum safety
- 400 lb. weight limit
- Shipping Weight: 201 lbs.

| | Wt. | L | W | H |
|----------|----------|----|----|----|
| 2 boxes: | 83 lbs. | 98 | 20 | 3 |
| | 118 lbs. | 45 | 17 | 14 |



1/2 Steel Meter Stand Bolt Kit (71-209-542-SS)

| Key No. | Part No. | Description | Kit A | Kit B | Kit C |
|---------|---------------|----------------------------------|-------|-------|-------|
| A | 71-209-542-SS | 1/2 Meter Stand Bolt Kit | | | |
| B | 71-209-543-SS | 3/4 & 1 Meter Stand Bolt Kit | | | |
| C | 71-209-544 | Fulcrum Kit | | | |
| 1 | 05-618 | 1/2" Plastic Nut Cap | • | • | |
| 2 | 05-32-130 | 3/8" x 2" Step Bolt | • | • | |
| 3 | 5-151 | 3/8" Lock Washer | • | • | |
| 4 | 05-31-171 | 1/2" x 3 1/2" Carriage Bolt | • | | |
| 5 | 05-14-132 | 1/2" x 1 3/8" Flat Washer | • | • | |
| 6 | 05-14-115 | 1/2" Lock Washer | • | • | |
| 7 | 05-14-116 | 1/2" Hex Nut | • | • | |
| 8 | 05-616 | 1/2" x 1 1/2" Round Nylon Washer | • | • | |
| 9 | 05-32-111 | 3/8" Nylon Protective Washer | • | • | |
| 10 | 5-145 | 3/8" Flat Washer | • | • | |
| 11 | 5-139 | 3/8" Hex Nut | • | • | |
| 12 | 04-608 | 1" Spacer, Schedule 40 Pipe | | • | |
| 13 | 08-505 | 15" Rubber Pad | | • | |
| 14 | 04-646 | 18" Meter Fulcrum Plate | | | • |
| 15 | 08-503 | 18" Meter Fulcrum Pad | | | • |
| 16 | 08-506 | 20" Rubber Mounting Pad | | | • |
| 17 | | 1/2 Meter Steel Stand | | | |
| 18 | 71-209-541-SS | Jig | | | |
| | 71-209-539-SS | Jig w/ 9" bolts | | | |
| | 71-209-540-SS | Jig w/ 10" bolts | | | |
| | 04-629 | 3/4 M Step Replacement | | | |
| | 04-630 | 1 M Step Replacement | | | |

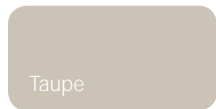
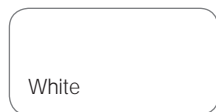
RESIDENTIAL

Cantilever (606/608) Stand

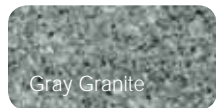
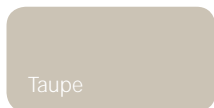
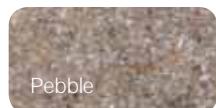
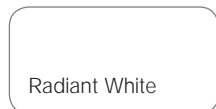


- Made of strong steel, powder coated for increased corrosion resistance.
- 6' or 8' lengths – find the right size for your diving pool!
- Available in designer colors to match your pool slide and backyard décor!
- Stainless steel hardware for added corrosion resistance.
- Board has a matching, non-slip sanded tread for maximum safety.
- Not recommended for salt chlorine pools. For a salt pool solution see the Salt Pool Jump System on page 32. Salt Pool Jump System can be retrofitted on a Cantilever jig.

Stand Colors



Board Colors



Actual product colors may vary.

All installations must comply with all applicable local and national codes and installation must be completed in accordance with S.R.Smith installation instructions.

Pairs with:



Frontier III Board



Glas-Hide Board

Cantilever Jump Stand with Frontier III Board

| Model No. | Size | Color | Shipping Wt. | 3 boxes Shipping | L | W | H |
|--------------|------|----------------|--------------|------------------|-----|-----|-----|
| 68-210-59610 | 6' | Taupe | 132 lbs. | 52 lbs. | 74" | 20" | 3" |
| 68-209-5962 | 6' | Radiant White | 132 lbs. | 60 lbs. | 16" | 14" | 12" |
| 68-210-59623 | 6' | Pebble** | 132 lbs. | 20 lbs. | 33" | 18" | 4" |
| 68-210-59624 | 6' | Gray Granite** | 132 lbs. | 20 lbs. | 33" | 18" | 4" |
| 68-210-59810 | 8' | Taupe | 163 lbs. | 70 lbs. | 98" | 20" | 3" |
| 68-209-5982 | 8' | Radiant White | 163 lbs. | 60 lbs. | 16" | 14" | 12" |
| 68-210-59823 | 8' | Pebble** | 163 lbs. | 33 lbs. | 41" | 18" | 4" |
| 68-210-59824 | 8' | Gray Granite** | 163 lbs. | 33 lbs. | 41" | 18" | 4" |

** Pebble board comes with taupe springs and stand, Gray Granite comes with rock gray springs and rock gray stand.

Cantilever Jump Stand with Glas-Hide Board

| Model No. | Size | Color | Shipping Wt. | 3 boxes Shipping | L | W | H |
|-------------|------|---------------|--------------|------------------|-----|-----|-----|
| 68-209-2062 | 6' | Radiant White | 137 lbs. | 57 lbs. | 74" | 20" | 3" |
| | | | | 60 lbs. | 16" | 14" | 12" |
| | | | | 20 lbs. | 33" | 18" | 4" |
| 68-209-2082 | 8' | Radiant White | 168 lbs. | 57 lbs. | 98" | 20" | 3" |
| | | | | 60 lbs. | 16" | 14" | 12" |
| | | | | 20 lbs. | 41" | 18" | 4" |

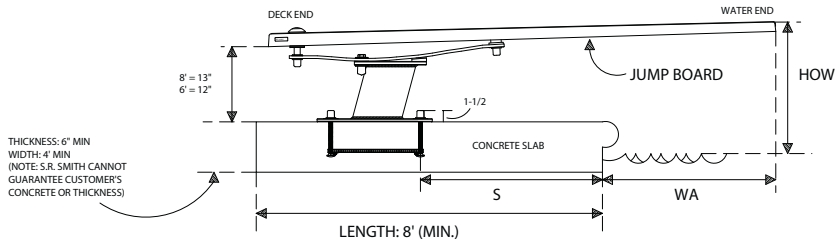
Cantilever Jump Stand with HipHop Board

| Model No. | Color | Shipping Wt. | 3 boxes Shipping | L | W | H |
|--------------|--------------|--------------|------------------|-----|-----|------|
| 68-210-4162 | White | 143 lbs. | 60 lbs. | 16" | 14" | 12" |
| 68-210-41624 | Gray Granite | 143 lbs. | 20 lbs. | 33" | 18" | 4" |
| 68-210-41623 | Sandstone | 143 lbs. | 55 lbs. | 87" | 33" | 3.5" |

Cantilever Jump Stand with FreeStyle Board

| Model No. | Color | Shipping Wt. | 3 boxes Shipping | L | W | H |
|--------------|--------------|--------------|------------------|-----|-----|------|
| 68-210-4262 | White | 145 lbs. | 60 lbs. | 16" | 14" | 12" |
| 68-210-42624 | Gray Granite | 145 lbs. | 20 lbs. | 33" | 18" | 4" |
| 68-210-42623 | Sandstone | 145 lbs. | 55 lbs. | 87" | 33" | 3.5" |

See pages 38-39 for diving board part numbers.

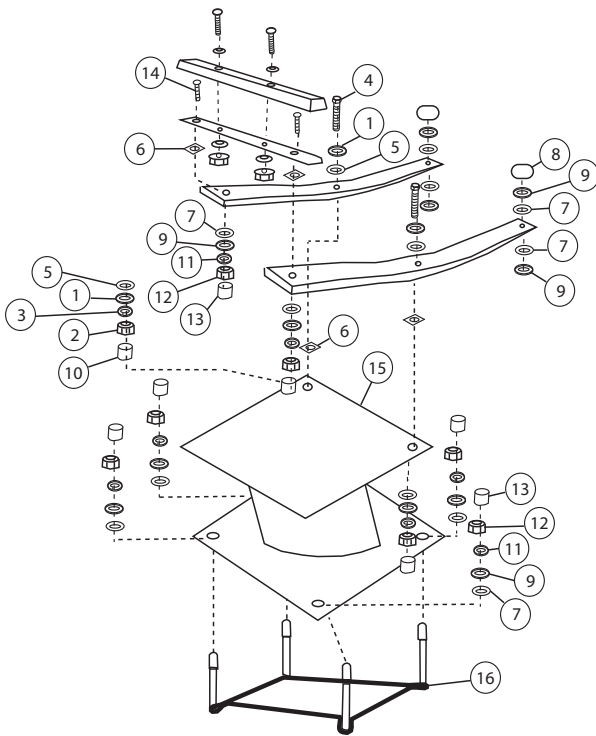


Installation Dimensions

| Jump board size | ANSI/NSPI-5 Pool Type | Distance for setting front bolt of jig from water's edge (S)** | Minimum overhang plus or minus 3" (WA)* | Maximum height of board above water (HOW) |
|-----------------|-----------------------|--|---|---|
| 6' | I | 32" | 18" | 20" |
| | II | 32" | 18" | 20" |
| | III | 26" | 24" | 26" |
| | IV | 20" | 30" | 30" |
| | V | 14" | 36" | 40" |
| 8' | III | 45" | 24" | 26" |
| | IV | 39" | 30" | 30" |
| | V | 33" | 36" | 40" |

*S and WA dimension are valid only in conjunction with minimum depth at point A

**When coping is used do not set front bolts of jig closer than 3" from the back edge of the coping.



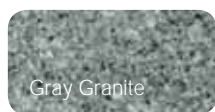
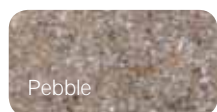
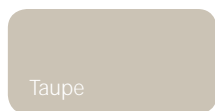
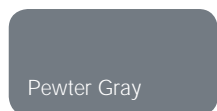
| KEY NO. | PART NO. | DESCRIPTION | Kit A | Kit B | Kit C |
|---------|---------------|--|-------|-------|-------|
| A | 69-209-021-SS | Cantilever Stand Base Bolt Kit | | | |
| B | 69-209-020-SS | Fulcrum Bolt Kit | | | |
| C | 69-209-019-SS | 606/608 Spring Bolt Kit | | | |
| 1 | 05-31-158 | 5/8" Flat Washer | | | • |
| 2 | 05-31-159 | 5/8" Hex Nut | | | • |
| 3 | 05-31-157 | 5/8" Lock Washer | | | • |
| 4 | 05-31-156 | 5/8" x 2" Hex Head Bolt | | | • |
| 5 | 05-631 | 5/8" x 1 3/4" Nylon Protective Washer | | | • |
| 6 | 05-630 | 5/8" x 2" Square Nylon Washer | | • | • |
| 7 | 05-616 | 1/2" x 1 1/2" Round Nylon Washer | • | • | • |
| 8 | 04-608 | 1" Spacer, Schedule 40 Pipe | | | • |
| 9 | 05-14-132 | 1/2" x 1 3/8" Flat Washer | • | • | • |
| 10 | 05-600 | 5/8" White Rubber Nut Cap | | | • |
| 11 | 05-14-115 | 1/2" Lock Washer | • | • | |
| 12 | 05-14-116 | 1/2" Hex Nut | • | • | |
| 13 | 05-618 | 1/2" White Rubber Nut Cap | • | • | |
| 14 | 05-31-170 | 1/2" x 10 1/2" Carriage Bolt | | | • |
| 15 | 69-209-001 | Cantilever Stand, White (jig included) | | | |
| | 69-209-001-RG | Stand, Rock Gray | | | |
| | 69-209-001-TP | Stand, Taupe | | | |
| 16 | 69-209-006-SS | Jig | | | |
| | 69-209-010-SS | 9" Extended Bolt Jig | | | |
| | 69-209-011-SS | 10" Extended Bolt Jig | | | |
| | 69-209-026 | 606 Spring Assembly, White | | | |
| | 69-209-026-RG | 606 Spring Assembly, Rock Gray | | | |
| | 69-209-026-TP | 606 Spring Assembly, Taupe | | | |
| | 69-209-028 | 608 Spring Assembly, White | | | |
| | 69-209-028-RG | 608 Spring Assembly, Rock Gray | | | |
| | 69-209-028-TP | 608 Spring Assembly, Taupe | | | |
| | 04-605-SS | Assembled Fulcrum | | | |

RESIDENTIAL

Flyte-Deck II Stand



Board + Stand Colors



Actual product colors may vary.

All installations must comply with all applicable local and national codes and installation must be completed in accordance with S.R.Smith installation instructions.

Pairs with:



Fibre-Dive Board



Frontier III Board

The Flyte-Deck stand's sleek appearance and strong construction make it one of our best selling models.

- Made of durable, scratch resistant acrylic reinforced with fiberglass.
- 6', 8' or 10' lengths – find the right size for your diving pool!
- Available in a variety of colors to match your poolscape and backyard décor!
- Stainless steel hardware for added corrosion resistance.
- Board has a matching, non-slip sanded tread for maximum safety.

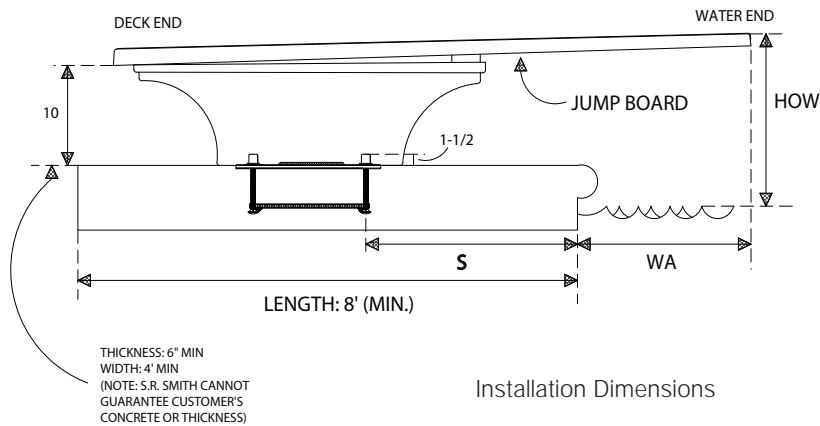
Flyte-Deck II Stand with Fibre-Dive Board

| Model No. | Size | Color | Weight | | | |
|--------------|------|---------------|----------|------------------|------|---------|
| 68-209-7362 | 6' | Radiant White | 63 lbs. | 2 boxes Shipping | | |
| 68-210-73610 | 6' | Taupe | 63 lbs. | L | W | H |
| 68-210-73620 | 6' | Pewter Gray | 63 lbs. | 36 lbs. | 74" | 20" 3" |
| 68-210-73623 | 6' | Pebble | 63 lbs. | 27 lbs. | 37" | 18" 12" |
| 68-210-73624 | 6' | Gray Granite | 63 lbs. | | | |
| 68-209-7382 | 8' | Radiant White | 91 lbs. | 2 boxes Shipping | | |
| 68-210-73810 | 8' | Taupe | 91 lbs. | L | W | H |
| 68-210-73820 | 8' | Pewter Gray | 91 lbs. | 59 lbs. | 98" | 20" 3" |
| 68-210-73823 | 8' | Pebble | 91 lbs. | 32 lbs. | 47" | 19" 12" |
| 68-210-73824 | 8' | Gray Granite | 91 lbs. | | | |
| 68-209-7402 | 10' | Radiant White | 111 lbs. | 2 boxes Shipping | | |
| 68-210-74020 | 10' | Pewter Gray | 111 lbs. | L | W | H |
| | | | | 75 lbs. | 122" | 20" 3" |
| | | | | 36 lbs. | 57" | 19" 12" |

Board, tread + stand are matching in color

See pages 38-39 for diving board part numbers.

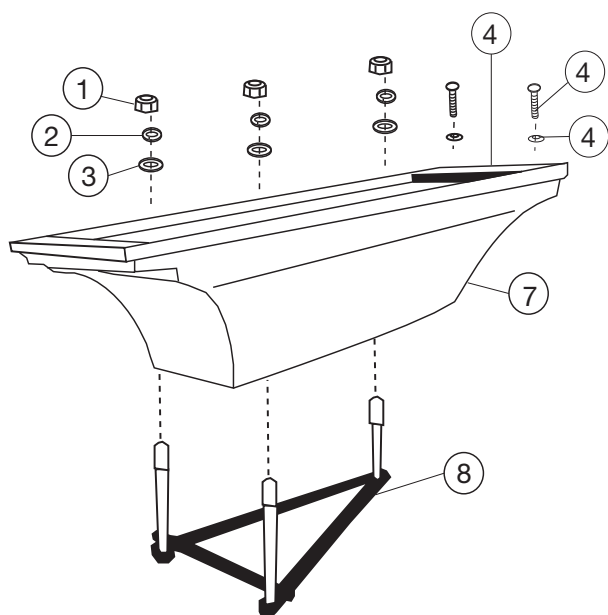
www.srsmith.com



Installation Dimensions

| Diving Board Size | ANSI/NSPI-5 Pool Type | Distance for setting front bolt of jig from water's edge (S)** | Minimum overhang plus or minus 3" (WA)* | Maximum height of board above water (HOW) |
|-------------------|-----------------------|--|---|---|
| 6' | I | 27" | 18" | 20" |
| | II | 27" | 18" | 20" |
| | III | 21" | 24" | 26" |
| | IV | 15" | 30" | 30" |
| | V | 9"*** | 36" | 40" |
| 8' | II | 41" | 18" | 20" |
| | III | 35" | 24" | 26" |
| | IV | 29" | 30" | 30" |
| | V | 23" | 36" | 40" |
| | 10' | III | 50" | 24" |
| IV | | 44" | 30" | 30" |
| V | | 38" | 36" | 40" |

*S and WA dimension are valid only in conjunction with minimum depth at point A
**When coping is used do not set front bolts of jig closer than 3" from the back edge of the coping.



| KEY NO. | PART NO. | DESCRIPTION | KIT A |
|---------|---|---|-------|
| A | 71-209-710-SS | Flyte-Deck Stand Bolt Kit* | |
| 1 | 05-14-116 | 1/2" Hex Nut | • |
| 2 | 05-14-115 | 1/2" Lock Washer | • |
| 3 | 05-14-133 | 1/2" x 2" Flat Washer | • |
| 4 | 71-209-545 | Flyte-Deck Fulcrum Kit | |
| 7 | 70-209-7362 70-209-7382 | 6' Flyte-Deck Stand, White, jig included 8' Flyte-Deck Stand, White, jig included | |
| 8 | 71-209-700-SS 71-209-701-SS 71-209-705-SS 71-209-704-SS 71-209-706-SS 71-209-707-SS 71-209-703-SS | 6' Jig 6' Jig w/ 9" bolts 6' Jig w/ 10" bolts 8' Jig 8' Jig w/ 9" bolts 8' Jig w/ 10" bolts 10' Jig | |

*10' comes with 71-209-711-SS

RESIDENTIAL

FreeStyle & HipHop



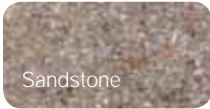
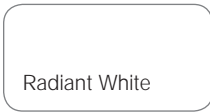
FreeStyle



HipHop



Board + Stand Colors



Actual product colors may vary.

All installations must comply with all applicable local and national codes and installation must be completed in accordance with S.R. Smith installation instructions.

Pairs with:



HipHop or FreeStyle

- Composite material diving board, increases board strength and lengthens product life
- Unique shape adds fun to your pool without detracting from your poolscape
- New D-Lux™ stand designed specifically for use with this board, easily installs on existing 6' Flyte-Deck jigs
- Can be installed Type I — Type V pools
- Twice the width of traditional diving boards at widest point
- Board has matching, SureFoot™ non-slip tread for maximum safety
- Stainless steel hardware for added corrosion resistance
- Can also be used with Cantilever, Supreme + Flyte-Deck II stands

FreeStyle Board on D-Lux Stand

| Model No. | Color | Weight | 2 boxes Shipping | | |
|-------------|---------------|---------|------------------|-------|-----------|
| | | | L | W | H |
| 68-209-422 | Radiant White | 91 lbs. | | | |
| 68-209-4223 | Sandstone | 91 lbs. | 55 lbs. | 82" | 39" 3.5" |
| 68-209-4224 | Gray Granite | 91 lbs. | 36 lbs. | 27.5" | 47" 12.5" |

All Models listed above come with the D-Lux™ Stand.

HipHop Board on D-Lux Stand

| Model No. | Color | Weight | 2 boxes Shipping | | |
|-------------|---------------|---------|------------------|-------|-----------|
| | | | L | W | H |
| 68-209-412 | Radiant White | 91 lbs. | | | |
| 68-209-4123 | Sandstone | 91 lbs. | 55 lbs. | 87" | 33" 3.5" |
| 68-209-4124 | Gray Granite | 91 lbs. | 36 lbs. | 27.5" | 47" 12.5" |

All Models listed above come with the D-Lux™ Stand.

D-Lux Stand

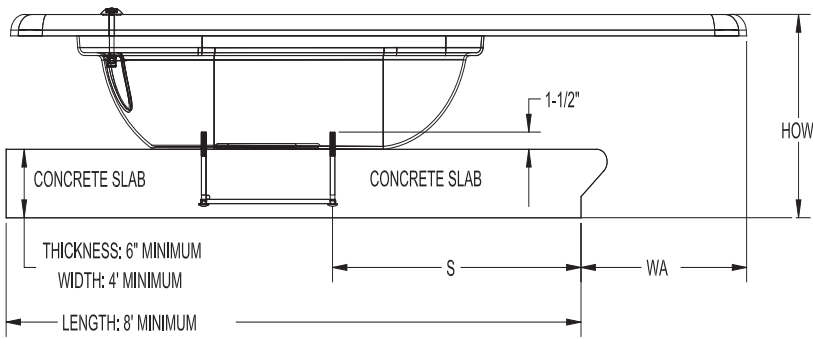
| Model No. | Color | Weight | L | W | H |
|------------|---------------|---------|-------|-----|-------|
| 70-209-42 | Radiant White | 36 lbs. | 27.5" | 47" | 12.5" |
| 70-209-423 | Sandstone | 36 lbs. | 27.5" | 47" | 12.5" |
| 70-209-424 | Gray Granite | 36 lbs. | 27.5" | 47" | 12.5" |

See pages 38-39 for diving board part numbers.

www.srsmith.com

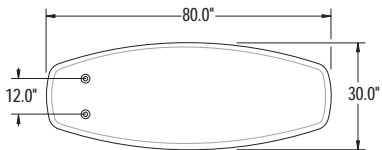
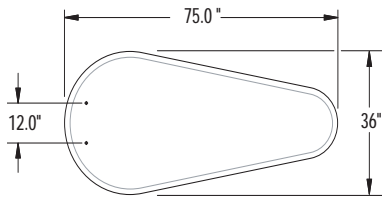
DECK END

WATER END



Notice:
S.R.Smith cannot guarantee customer's concrete strength or thickness

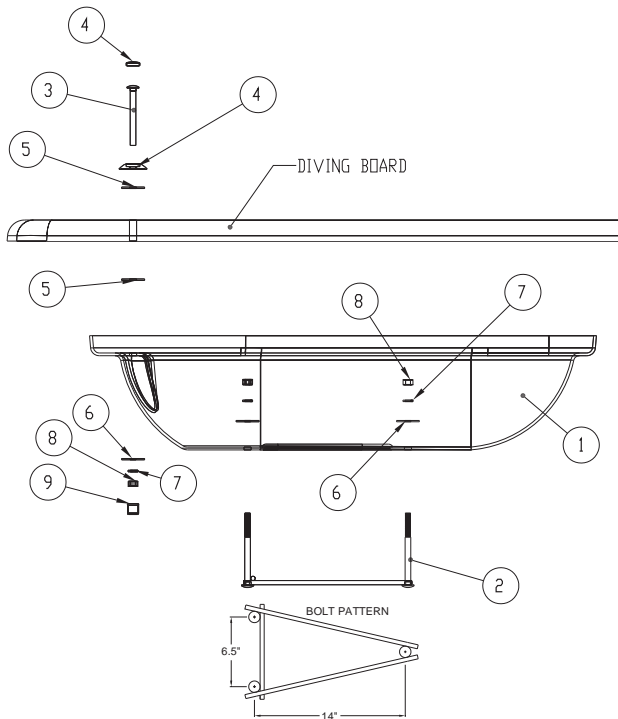
Installation Dimensions



| Diving Board Size | ANSI/NSPI-5 Pool Type | Distance for setting front bolt of jig from water's edge (S)** | Minimum overhang plus or minus 3" (WA)* | Maximum height of board above water (HOW) |
|-------------------|-----------------------|--|---|---|
| 6' | I | 27" | 18" | 20" |
| | II | 27" | 18" | 20" |
| | III | 21" | 24" | 26" |
| | IV | 15" | 30" | 30" |
| | V | 9"*** | 36" | 40" |

*S and WA dimension are valid only in conjunction with minimum depth at point A

**When coping is used do not set front bolts of jig closer than 3" from the back edge of the coping.



| Key No. | Part No. | Description | Kit A | Kit B |
|---------|---------------|--|-------|-------|
| A | 71-209-712-SS | D-Lux Stand Parts Kit | | |
| B | 67-209-925 | HipHop/FreeStyle Board Mounting KitWhite | | |
| | 67-209-925-10 | HipHop/FreeStyle Board Mounting KitTaupe | | |
| | 67-209-925-20 | HipHop/FreeStyle Board Mounting KitGray | | |
| 1 | 70-209-42 | D-Lux Stand, White | • | |
| | 70-209-423 | D-Lux Stand, Sandstone | • | |
| | 70-209-424 | D-Lux Stand, Gray Granite | • | |
| 2 | 71-209-700-SS | 6' Flyte-Deck II Jig | • | |
| 3 | 05-31-174 | 1/2-13 x 5" Carriage Bolt, SS | | • |
| 4 | 05-632 | Plastic Recessed Mounting Washer | • | |
| 5 | 05-619 | 1/2" x 2" Black Rubber Mounting Washer | | • |
| 6 | 05-14-133 | 1/2" x 2" Flat Washer, SS | • | • |
| 7 | 05-14-115 | 1/2" Lock Washer, SS | • | • |
| 8 | 05-14-116 | 1/2" Hex Nut, SS | • | • |
| 9 | 05-618 | 1/2" Plastic Nut Cap | | • |

RESIDENTIAL

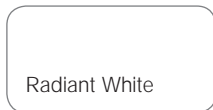
Frontier II Stand



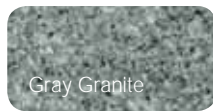
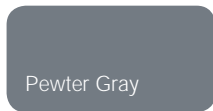
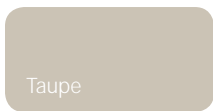
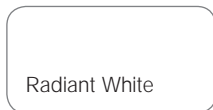
The Frontier II is a high-value stand and board ideal for price-sensitive customers.

- Made of strong steel and powder coated for increased corrosion resistance.
- 6' or 8' lengths – find the right size for your diving pool!
- Stand comes in white, with your choice of board color to match your pool slide and backyard décor.
- Stainless steel hardware for added corrosion resistance.
- Board has a matching non-slip sanded tread for maximum safety.

Stand Color



Board Colors



Actual product colors may vary.

All installations must comply with all applicable local and national codes and installation must be completed in accordance with S.R.Smith installation instructions.

Frontier II Jump Stand with Frontier II Board*

| Model No. | Size | Color | Weight | | | | |
|----------------|------|---------------|----------|------------------|-----|-----|----|
| 68-209-586610T | 6' | Taupe | 79 lbs. | | | | |
| 68-209-58662 | 6' | Radiant White | 79 lbs. | | | | |
| 68-209-586620T | 6' | Pewter Gray | 79 lbs. | | | | |
| 68-209-58663T | 6' | Marine Blue | 79 lbs. | | | | |
| 68-209-586623 | 6' | Pebble | 79 lbs. | | | | |
| 68-209-586624 | 6' | Gray Granite | 79 lbs. | | | | |
| 68-209-586810T | 8' | Taupe | 104 lbs. | | | | |
| 68-209-58682 | 8' | Radiant White | 104 lbs. | | | | |
| 68-209-586820T | 8' | Pewter Gray | 104 lbs. | | | | |
| 68-209-58683T | 8' | Marine Blue | 104 lbs. | | | | |
| 68-209-586823 | 8' | Pebble | 104 lbs. | | | | |
| 68-209-586824 | 8' | Gray Granite | 104 lbs. | | | | |
| | | | | 2 boxes Shipping | L | W | H |
| | | | | 52 lbs. | 74" | 20" | 3" |
| | | | | 27 lbs. | 34" | 8" | 8" |
| | | | | 2 boxes Shipping | L | W | H |
| | | | | 70 lbs. | 98" | 20" | 3" |
| | | | | 34 lbs. | 41" | 9" | 7" |

Board + tread are matching in color

*Not recommended for salt chlorine pools

Pairs with:



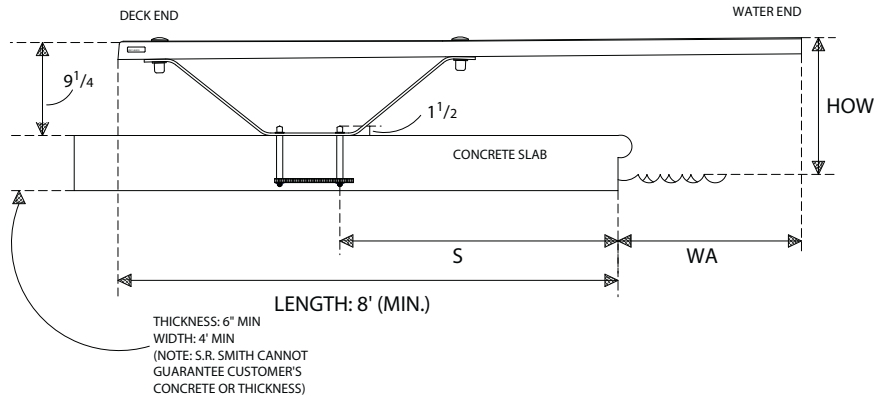
Frontier II Board

Frontier II Bases & Jig

| Model No. | Size | Color | Weight | L | W | H |
|---------------|------|-------------------------------|-----------|-----|----|----|
| 69-209-5866 | 6' | Spring Base only | 26.5 lbs. | 34" | 8" | 8" |
| 69-209-5888 | 8' | Spring Base only | 34 lbs. | 41" | 9" | 7" |
| 69-209-227-SS | | Jig only (included with base) | 3 lbs. | 7" | 7" | 7" |

See pages 38-39 for diving board part numbers.

www.srsmith.com

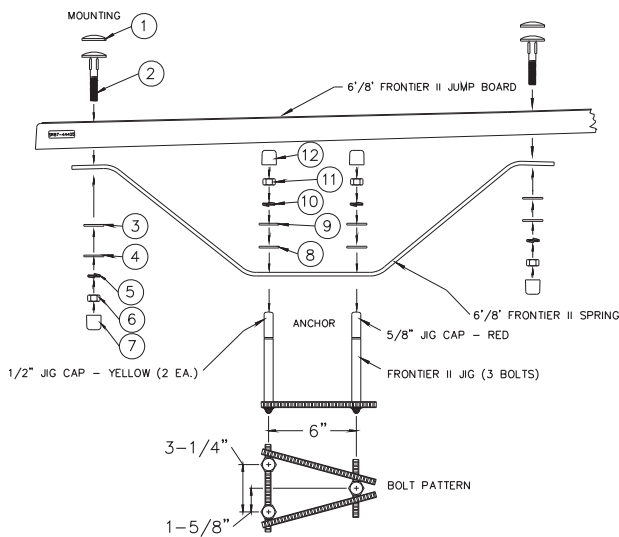


Installation Dimensions

| Diving Board Size | ANSI/NSPI-5 Pool Type | Distance for setting front bolt of jig from water's edge (S)** | Minimum overhang plus or minus 3" (WA)* | Maximum height of board above water (HOW) |
|-------------------|-----------------------|--|---|---|
| 6' | I | 26" | 18" | 20" |
| | II | 26" | 18" | 20" |
| | III | 20" | 24" | 26" |
| | IV | 14" | 30" | 30" |
| 8' | III | 34" | 24" | 26" |
| | IV | 28" | 30" | 30" |
| | V | 22" | 36" | 40" |

*S and WA dimension are valid only in conjunction with minimum depth at point A

**When coping is used do not set front bolts of jig closer than 3" from the back edge of the coping.



| Key No. | Part No. | Description | Kit A | Kit B |
|---------|---------------|---|-------|-------|
| A | 69-209-032-SS | Frontier II Mounting Bolt Kit | | |
| B | 69-209-033-SS | Frontier II Spring Anchor Bolt Kit | | |
| 1 | | Step Bolt Head Cap, white rubber (3 ea.) | • | |
| 2 | | 1/2" x 3" Large Step Bolt, SS (3 ea.) | • | |
| 3 | | 1/2" x 1 1/2" Round Nylon Washer (3 ea.) | • | |
| 4 | | 1/2" x 1 3/8" Flat Washer, SS (3 ea.) | • | |
| 5 | | 1/2" Lock Washer, SS (3 ea.) | • | |
| 6 | | 1/2" Hex Nut, SS (3 ea.) | • | |
| 7 | | 1/2" White Plastic Nut Cap (3 ea.) | • | |
| 8 | | 5/8" x 1 3/4" Nylon Protective Washer (3 ea.) | • | |
| 9 | | 5/8" x 1 3/4" Flat Washer, SS (3 ea.) | | • |
| 10 | | 5/8" Lock Washer, SS (3 ea.) | | • |
| 11 | | 5/8" Hex Nut, SS (3 ea.) | | • |
| 12 | | 5/8" White Rubber Nut Cap (3 ea.) | | • |

RESIDENTIAL

Salt Pool Jump System



Resist corrosion with this new low-profile fiberglass-backed stand and composite spring assembly.

- 6' or 8' lengths – find the right size for your diving pool!
- Available in three designer colors to match your backyard décor!
- Stainless steel hardware for added corrosion resistance
- Compatible with Frontier III diving boards
- Can be retrofitted onto existing Cantilever jigs

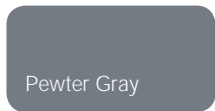
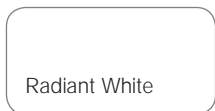


Salt Friendly Jump Stand with Frontier III Board

| Model No. | Size | Color | Weight | 3 boxes Shipping | | |
|--------------|------|-------------|----------|------------------|-----|---------|
| | | | | L | W | H |
| 68-211-5962 | 6' | White | 90 lbs. | 27lbs | 25" | 20" 11" |
| 68-211-59610 | 6' | Taupe | 90 lbs. | 10lbs | 40" | 5" 3" |
| 68-211-59620 | 6' | Pewter Gray | 90 lbs. | 52lbs | 74" | 20" 3" |
| 68-211-5982 | 8' | White | 112 lbs. | 3 boxes Shipping | L | W H |
| 68-211-59810 | 8' | Taupe | 112 lbs. | 27lbs | 25" | 20" 11" |
| 68-211-59820 | 8' | Pewter Gray | 112 lbs. | 14lbs | 48" | 5" 3" |
| | | | | 70lbs | 98" | 20" 3" |

Salt Pool Jump System springs and bases are compatible only with each other and can not be interchanged with other S.R.Smith springs and bases.

Stand & Spring Colors



Actual product colors may vary.

All installations must comply with all applicable local and national codes and installation must be completed in accordance with S.R.Smith installation instructions.

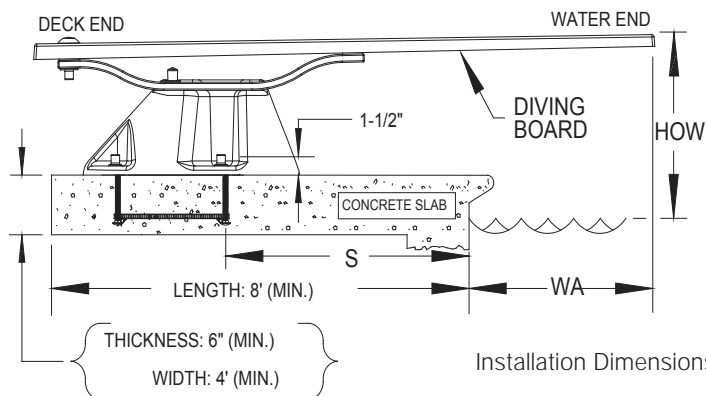
Pairs with:



Frontier III Board

See pages 38-39 for diving board part numbers.

www.srsmith.com

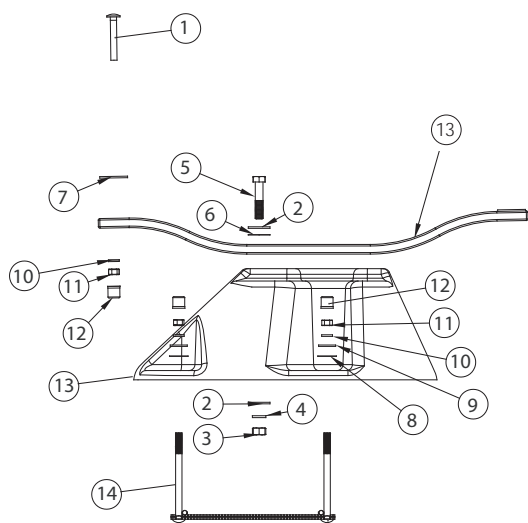


Installation Dimensions

| Diving Board Size | ANSI/NSPI-5 Pool Type | Distance for setting front bolt of jig from water's edge (S)** | Minimum overhang plus or minus 3" (WA)* | Maximum height of board above water (HOW) |
|-------------------|-----------------------|--|---|---|
| 6' | I | 32" | 18" | 20" |
| | II | 32" | 18" | 20" |
| | III | 26" | 24" | 26" |
| | IV | 20" | 30" | 30" |
| | V | 14" | 36" | 40" |
| 8' | III | 45" | 24" | 26" |
| | IV | 39" | 30" | 30" |
| | V | 33" | 36" | 40" |

*S and WA dimension are valid only in conjunction with minimum depth at point A

**When coping is used do not set front bolts of jig closer than 3" from the back edge of the coping.



| Item No. | Part No. | Description | Kit A | Kit B |
|----------|--|--|-------|-------|
| A | 69-209-125 | Salt Pool Spring Bolt Kit | | |
| B | 69-209-126 | Salt Pool Stand Hardware Kit (add -TP or -PG for colors) | | |
| 1 | 05-31-171 | 1/2" x 3 1/2" Carriage Bolt | • | |
| 2 | 05-631 | 5/8" x 1 3/4" Flat Washer | • | |
| 3 | 05-31-159 | 5/8" Hex Nut | • | |
| 4 | 05-31-157 | 5/8" Lock Washer | • | |
| 5 | 05-31-155 | 5/8" x 3" Hex Head Bolt | • | |
| 6 | 05-31-158 | 5/8" x 1 3/4" Nylon Protective Washer | • | |
| 7 | 8-556 | 2 1/4" Square Rubber Spring Pad | • | |
| 8 | 05-616 | 1/2" x 1 1/2" Round Nylon Washer | | • |
| 9 | 05-14-132 | 1/2" x 1 3/8" Flat Washer | | • |
| 10 | 05-14-115 | 1/2" Lock Washer | | • |
| 11 | 05-14-116 | 1/2" Hex Nut | | • |
| 12 | 05-618 05-618-10 05-618-20 | 1/2" Plastic Nut Cap, White 1/2" Plastic Nut Cap, Taupe 1/2" Plastic Nut Cap, Gray | | • |
| 13 | 69-209-662 69-209-6610 69-209-6620 69-209-682 69-209-6810 69-209-6820 | 6' Salt Spring, White 6' Salt Spring, Taupe 6' Salt Spring, Gray 8' Salt Spring, White 8' Salt Spring, Taupe 8' Salt Spring, Gray | | |
| 14 | 69-209-62 69-209-610 69-209-620 | Salt Pool Jump Stand, White Salt Pool Jump Stand, Taupe Salt Pool Jump Stand, Pewter Gray | | |
| 15 | 69-209-006-SS 69-209-010-SS 69-209-011-SS | Jig Jig w/ 9" bolts Jig w/ 10" bolts | | |

RESIDENTIAL

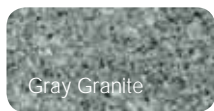
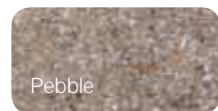
Supreme Stand



The Supreme stand is a high-end stand and board that offers users Supreme diving fun!

- Made of durable, scratch resistant acrylic reinforced with fiberglass.
- 6', or 8' lengths – find the right size for your diving pool!
- Available in a variety of colors – match your pool slide and backyard décor!
- Stainless steel hardware for added corrosion resistance.
- Board has a matching, non-slip sanded tread for maximum safety.

Board + Stand Color



Actual product colors may vary.

All installations must comply with all applicable local and national codes and installation must be completed in accordance with S.R.Smith installation instructions.

Supreme Jump Stand with Frontier III Board*

| Model No. | Size | Color | Shipping Wt. | 3 boxes | L | W | H |
|--------------|------|----------------|--------------|---------|-----|-----|-----|
| 68-209-6162 | 6' | Radiant White | 94 lbs. | 52 lbs. | 74" | 20" | 3" |
| 68-209-61623 | 6' | Pebble** | 94 lbs. | 22 lbs. | 18" | 18" | 10" |
| 68-209-61624 | 6' | Gray Granite** | 94 lbs. | 20 lbs. | 33" | 18" | 4" |
| 68-209-6182 | 8' | Radiant White | 125 lbs. | 70 lbs. | 98" | 20" | 3" |
| 68-209-61823 | 8' | Pebble** | 125 lbs. | 22 lbs. | 18" | 18" | 10" |
| 68-209-61824 | 8' | Gray Granite** | 125 lbs. | 33 lbs. | 41" | 18" | 4" |

* Not recommended for salt chlorine pools

** Pebble kits come with Taupe springs. Gray Granite kits come with Rock Gray springs.

Pairs with:



Frontier III Board



Glas-Hide Board

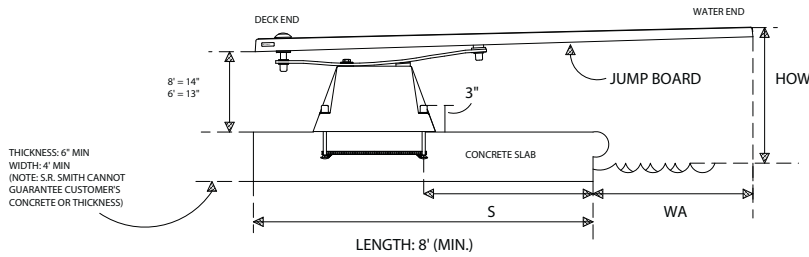
Supreme Jump Stand with Glas-Hide Board*

| Model No. | Size | Color | Shipping Wt. | 3 boxes | L | W | H |
|-------------|------|---------------|--------------|---------|-----|-----|-----|
| 68-209-2362 | 6' | Radiant White | 99 lbs. | 57 lbs. | 74" | 20" | 3" |
| | | | | 22 lbs. | 18" | 18" | 10" |
| | | | | 20 lbs. | 33" | 18" | 4" |
| 68-209-2382 | 8' | Radiant White | 130 lbs. | 75 lbs. | 98" | 20" | 3" |
| | | | | 22 lbs. | 18" | 18" | 10" |
| | | | | 33 lbs. | 41" | 18" | 4" |

*Not recommended for salt chlorine pools

See pages 38-39 for diving board part numbers.

www.srsmith.com

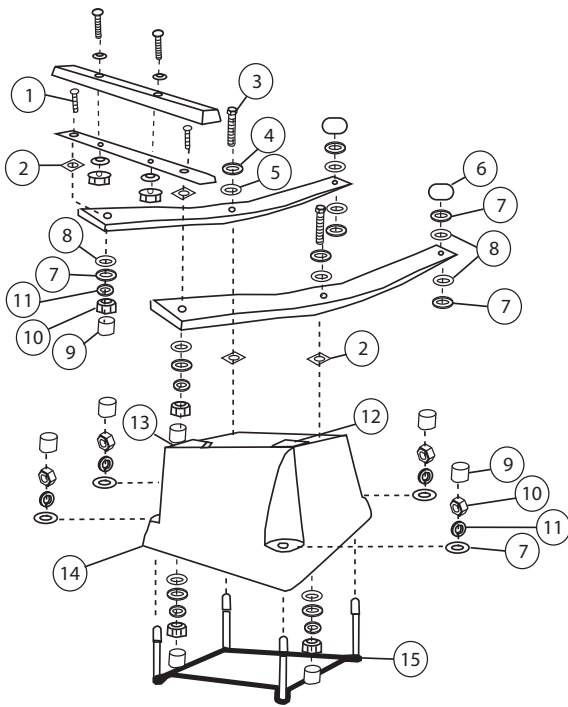


Installation Dimensions

| Diving Board Size | ANSI/NSPI-5 Pool Type | Distance for setting front bolt of jig from water's edge (S)** | Minimum overhang plus or minus 3" (WA)* | Maximum height of board above water (HOW) |
|-------------------|-----------------------|--|---|---|
| 6' | I | 28-3/4" | 18" | 20" |
| | II | 28-3/4" | 18" | 20" |
| | III | 22-3/4" | 24" | 26" |
| | IV | 16-3/4" | 30" | 30" |
| | V | 10-3/4" | 36" | 40" |
| 8' | III | 42-1/2" | 24" | 26" |
| | IV | 36-1/2" | 30" | 30" |
| | V | 30-1/2" | 36" | 40" |

*S and WA dimension are valid only in conjunction with minimum depth at point A

**When coping is used do not set front bolts of jig closer than 3" from the back edge of the coping.

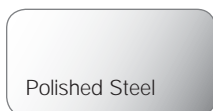


| Key No. | Part No. | Description | Kit A | Kit B | Kit C |
|---------|--|--|-------|-------|-------|
| A | 69-209-017-SS | Supreme Stand Bolt Kit | | | |
| B | 69-209-020-SS | Fulcrum Kit | | | |
| C | 69-209-019-SS | 606/608 Spring Bolt Kit | | | |
| 1 | 05-31-170 | 1/2" x 1 1/2" Carriage Bolt | | • | |
| 2 | 05-630 | 5/8" x 2" Square Nylon Washer | • | • | |
| 3 | 05-31-155 | 5/8" x 3" Hex Head Bolt | • | | |
| 4 | 05-32-118 | 5/8" x 1 3/4" Flat Washer | | • | |
| 5 | 05-631 | 5/8" x 1 3/4" Nylon Protective Washer | | • | |
| 6 | 04-608 | 1" Spacer, Schedule 40 Pipe | | • | |
| 7 | 05-14-132 | 1/2" x 1 3/8" Flat Washer | • | • | • |
| 8 | 05-616 | 1/2" x 1 1/2" Round Nylon Washer | • | • | |
| 9 | 05-618 | 1/2" White Plastic Nut Cap | • | • | • |
| 10 | 05-14-116 | 1/2" Hex Nut | • | • | • |
| 11 | 05-14-115 | 1/2" Lock Washer | • | • | • |
| 12 | 05-620L | Plastic Tab (Left) | | • | |
| 13 | 05-620R | Plastic Tab (Right) | | • | |
| 14 | 69-209-008 69-209-008-SNST 69-209-008-GG | Supreme Stand, White (jig included) Supreme Stand, Sandstone Supreme Stand, Gray Granite | | | |
| 15 | 69-209-007-SS 69-209-007-SS-9 69-209-007-SS-10 | Jig Jig with 9" bolts Jig with 10" bolts | | | |
| | 69-209-026 | 606 Spring | | | |
| | 69-209-028 | 608 Spring | | | |

U-Frame Stand



Stand Color



Actual product colors may vary.

All installations must comply with all applicable local and national codes and installation must be completed in accordance with S.R.Smith installation instructions.

Pairs with:



Fibre-Dive Board

Or upgrade to:



Frontier III Board



Frontier IV Board*



The Economical Alternative

The U-Frame stand is a great entry-level stand ideal for price-sensitive users.

- Made of 1.90" OD, .049" or .065" wall, 304 or 316L stainless steel tubing, and includes a fulcrum cover
- Choose from a variety of board colors to match your pool slide and backyard décor.
- Board has a non-slip sanded tread for maximum safety.
- Pair with 6', 8', 10' or 12' boards – find the right size for your diving pool!

| Model No. | Description | Board Size | Shipping Wt. | L | W | H |
|-----------|--------------------|------------|--------------|-----|-----|----|
| UF-12-100 | 12" U-Frame (.049) | 6' or 8' | 14 lbs. | 33" | 25" | 2" |
| UF-18-101 | 18" U-Frame (.049) | 6' or 8' | 16 lbs. | 33" | 25" | 2" |
| UF-18-102 | 18" U-Frame (.065) | 6' or 8' | 18 lbs. | 34" | 31" | 2" |
| UF-24-103 | 24" U-Frame (.049) | 10' or 12' | 16 lbs. | 34" | 31" | 2" |
| UF-24-102 | 24" U-Frame (.065) | 10' or 12' | 19 lbs. | 34" | 31" | 2" |

*Not recommended for salt chlorine pools.
For Marine Grade (316L), add -MG to part number.

U-Frames with 8' Frontier IV Board*

The special Steel Meter Stand designed specifically for our Frontier IV board is a great alternative to consider for pools with heavy diving traffic and more athletic pool users.

- The Frontier IV board comes in an 8' length
- Mounting bolts are on 11" centers
- Frontier IV comes in white, with a matching non-slip sanded tread for maximum safety
- 400 lb. weight limit

| Model No. | Description | Board Size | Shipping Wt. | L | W | H |
|-------------|-----------------|------------|--------------------|------------|------------|-----------|
| UF-15-200 | U-Frame only | 8' | 21 lbs. | 33" | 25" | 2" |
| 68-209-1582 | U-Frame w/board | 8' | 201 lbs. (2 boxes) | 98" 45" | 20" 17" | 3" 14" |

The Frontier IV board has 11" bolt centers and requires these SPECIAL U-Frames that will only work with this board. Weight limit 400lbs.

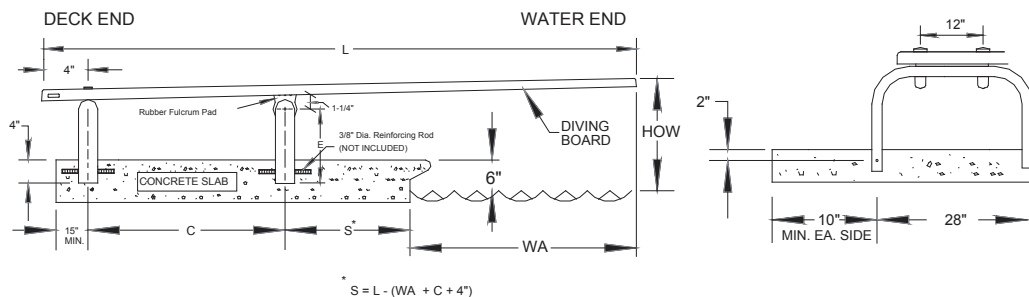
U-Frame Fulcrum Cover

- Heavy-duty rubber
- 20" long
- Accommodates 1.90" OD tubing

| Part No. | Description | Shipping Wt. | L | W | H |
|----------|-----------------|--------------|-----|----|----|
| FC-100A | 1 fulcrum cover | 2.5 lbs. | 20" | 2" | 2" |

See pages 38-39 for diving board part numbers.

www.srsmith.com



$$S = L - (WA + C + 4")$$

S.R. SMITH CANNOT
GUARANTEE CUSTOMER'S
CONCRETE OR THICKNESS

RECOMMENDED Compressive
strength of concrete is 3500 psi or
greater.

SLAB
THICKNESS = 6" (MIN.)
WIDTH = 4" (MIN.)

Installation Dimensions

Residential Pools

| Pool Type | Diving Board | Fulcrum Setting (C) | Actual Length (L)* | Max. board over water (HOW) | Minimum Overhang $\pm 3"$ (WA) | Recommended U-Frame |
|-----------|--------------|---------------------|--------------------|-----------------------------|--------------------------------|-------------------------------------|
| I | 6' | 30" $\pm 3"$ | 70-1/2" | 20" | 18" | UF-12-100 or UF-18-101 or UF-18-102 |
| II | 8' | 40" $\pm 4"$ | 94-1/2" | 20" | 18" | |
| III | 10' | 52" $\pm 5"$ | 118-1/2" | 26" | 24" | UF-24-102 or UF-24-103 |
| IV | 10' | 52" $\pm 5"$ | 118-1/2" | 30" | 30" | |
| V | 12' | 62" $\pm 6"$ | 142-1/2" | 40" | 36" | |

*Add 1-1/2" to L dimension for Aluminum Diving Boards

Commercial Pools

| Pool Type | Diving Board Length | Fulcrum Setting (C) | Actual Length (L)* | Max. board height over water (HOW) | Minimum Overhang $"L1" \pm 3"$ |
|-----------|---------------------|---------------------|--------------------|------------------------------------|--------------------------------|
| VI | 10' | 52" $\pm 5"$ | 118-1/2" | 26" (2/3 Meter) | 30" |
| VII | 12' | 62" $\pm 6"$ | 142-1/2" | 30" (3/4 Meter) | 36" |
| VIII | 16' | 86" $\pm 6"$ | 190-1/2" | 1 Meter | 48" |
| IX | 16' | 86" $\pm 6"$ | 190-1/2" | 3 Meter | 72" |

*L1 DIMENSION IS VALID ONLY IN CONJUNCTION WITH MIN. DEPTH (D1) AT POINT A FOR POOL TYPE. (SEE ANSI/NSPI-1 2003 Figure 1 and Table 2)

COMPLY WITH LOCAL GOVERNMENT REGULATIONS FOR PUBLIC SWIMMING POOLS IF THEY EXCEED THE ANSI/NSPI-1 STANDARD.

*Add 1-1/2" to L dimension for Aluminum Diving Boards

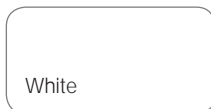


Frontier IV Board

The Frontier IV board is the perfect diving board for pools with heavy diving traffic and very athletic pool users.

- Available in 8' length only
- Mounting bolts are on 11" centers
- Comes in white, with a matching non-slip sanded tread for maximum safety
- Can be paired with either special U-Frames or Steel Meter Stands designed specifically for use with the Frontier IV board
- Accommodates divers up to 400 lbs.

Board Color



Actual product colors may vary.

All installations must comply with all applicable local and national codes and installation must be completed in accordance with S.R. Smith installation instructions.

| Model No. | Description | Shipping Wt. |
|-------------|---|--------------|
| 66-209-4082 | 8' Frontier IV board | 83 lbs. |
| 66-209-7082 | 8' Commercial Frontier IV board | 83 lbs. |
| 68-209-2582 | Steel Meter (1/2M) with Frontier IV board | 201 lbs. |
| 68-209-1582 | U-Frames with Frontier IV Board | 104 lbs. |

All part numbers shown are for a diving board with a white tread.
 To order a diving board with a matching tread, add a "T" at the end of the part number.
 Weight capacity for all boards is 250 lbs., except for the Frontier IV, which is 400 lbs.
 No hole boards available, call for availability. Warranty not valid on no-hole boards.

COMMERCIAL BOARDS



Eureka Boards (2-hole)

| Part Number | Board Size | Color | Weight | Length | Width | Height |
|---------------|------------|---------------|--------|--------|-------|--------|
| 66-209-2442-1 | 14' | Radiant White | 205.00 | 170 | 20 | 3 |
| 66-209-2443-1 | 14' | Marine Blue | 205.00 | 170 | 20 | 3 |
| 66-209-2462-1 | 16' | Radiant White | 235.00 | 194 | 20 | 3 |
| 66-209-2463-1 | 16' | Marine Blue | 235.00 | 194 | 20 | 3 |



Frontier III Commercial Boards (2-hole)

| Part Number | Board Size | Color | Weight | Length | Width | Height |
|---------------|------------|---------------|--------|--------|-------|--------|
| 66-209-610S2 | 10' | Radiant White | 88.00 | 122 | 20 | 3 |
| 66-209-610S3 | 10' | Marine Blue | 88.00 | 122 | 20 | 3 |
| 66-209-610S20 | 10' | Pewter Gray | 88.00 | 122 | 20 | 3 |
| 66-209-6122 | 12' | Radiant White | 110.00 | 146 | 20 | 3 |
| 66-209-6123 | 12' | Marine Blue | 110.00 | 146 | 20 | 3 |
| 66-209-6142 | 14' | Radiant White | 190.00 | 170 | 20 | 3 |
| 66-209-6143 | 14' | Marine Blue | 190.00 | 170 | 20 | 3 |
| 66-209-6162 | 16' | Radiant White | 230.00 | 194 | 20 | 3 |
| 66-209-6163 | 16' | Marine Blue | 230.00 | 194 | 20 | 3 |



Olympian Aluminum Boards (2-hole)

| Part Number | Board Size | Color | Weight | Length | Width | Height |
|-------------|------------|---------------|--------|--------|-------|--------|
| 66-209-3082 | 8' | Radiant White | 65.00 | 98 | 20 | 3 |
| 66-209-3083 | 8' | Marine Blue | 65.00 | 98 | 20 | 3 |
| 66-209-3102 | 10' | Radiant White | 78.00 | 122 | 20 | 3 |
| 66-209-3103 | 10' | Marine Blue | 78.00 | 122 | 20 | 3 |
| 66-209-3122 | 12' | Radiant White | 98.00 | 146 | 20 | 3 |
| 66-209-3123 | 12' | Marine Blue | 98.00 | 146 | 20 | 3 |
| 66-209-3142 | 14' | Radiant White | 190.00 | 170 | 20 | 3 |
| 66-209-3143 | 14' | Marine Blue | 190.00 | 170 | 20 | 3 |
| 66-209-3162 | 16' | Radiant White | 206.00 | 194 | 20 | 3 |
| 66-209-3163 | 16' | Marine Blue | 206.00 | 194 | 20 | 3 |



Swim Club Boards (2-hole)

| Part Number | Board Size | Color | Weight | Length | Width | Height |
|----------------|------------|---------------|--------|--------|-------|--------|
| 66-209-220S2-1 | 10' | Radiant White | 100.00 | 122 | 20 | 3 |
| 66-209-220S3-1 | 10' | Marine Blue | 100.00 | 122 | 20 | 3 |
| 66-209-2222-1 | 12' | Radiant White | 125.00 | 146 | 20 | 3 |
| 66-209-2223-1 | 12' | Marine Blue | 125.00 | 146 | 20 | 3 |
| 66-209-2242-1 | 14' | Radiant White | 200.00 | 170 | 20 | 3 |
| 66-209-2243-1 | 14' | Marine Blue | 200.00 | 170 | 20 | 3 |
| 66-209-2262-1 | 16' | Radiant White | 230.00 | 194 | 20 | 3 |
| 66-209-2263-1 | 16' | Marine Blue | 230.00 | 194 | 20 | 3 |



Frontier IV Boards (2-hole)

| Part Number | Board Size | Color | Weight | Length | Width | Height |
|-------------|----------------|---------------|--------|--------|-------|--------|
| 66-209-7082 | 8' Commercial | Radiant White | 83.00 | 98 | 20 | 3 |
| 66-209-4082 | 8' Residential | Radiant White | 83.00 | 98 | 20 | 3 |

RESIDENTIAL BOARDS



Fibre-Dive Boards (2-hole)

| Part Number | Board Size | Color | Weight | Length | Width | Height |
|----------------|------------|----------------------------|--------|--------|-------|--------|
| 66-209-266S2-1 | 6' | Radiant White | 36.00 | 74 | 20 | 3 |
| 66-209-266S3-1 | 6' | Marine Blue | 36.00 | 74 | 20 | 3 |
| 66-209-266S10 | 6' | Taupe | 36.00 | 74 | 20 | 3 |
| 66-209-266S20 | 6' | Pewter Gray | 36.00 | 74 | 20 | 3 |
| 66-209-266S23 | 6' | Pebble w/clear tread | 36.00 | 74 | 20 | 3 |
| 66-209-266S24 | 6' | Gray Granite w/clear tread | 36.00 | 74 | 20 | 3 |
| 66-209-268S2-1 | 8' | Radiant White | 58.50 | 98 | 20 | 3 |
| 66-209-268S3-1 | 8' | Marine Blue | 58.50 | 98 | 20 | 3 |
| 66-209-268S10 | 8' | Taupe | 58.50 | 98 | 20 | 3 |
| 66-209-268S20 | 8' | Pewter Gray | 58.50 | 98 | 20 | 3 |
| 66-209-268S21 | 8' | Silver Gray | 58.50 | 98 | 20 | 3 |
| 66-209-268S24 | 8' | Gray Granite w/clear tread | 58.50 | 98 | 20 | 3 |
| 66-209-270S2-1 | 10' | Radiant White | 75.00 | 122 | 20 | 3 |
| 66-209-270S3-1 | 10' | Marine Blue | 75.00 | 122 | 20 | 3 |

All part numbers shown are for a diving board with a white tread.
 To order a diving board with a matching tread, add a "T" at the end of the part number.
 Weight capacity for all boards is 250 lbs., except for the Frontier IV, which is 400 lbs.
 No hole boards available, call for availability. Warranty not valid on no-hole boards.

| | | | | | | |
|---------------|-----|-------------|-------|-----|----|---|
| 66-209-270S10 | 10' | Taupe | 75.00 | 122 | 20 | 3 |
| 66-209-270S20 | 10' | Pewter Gray | 75.00 | 122 | 20 | 3 |



FreeStyle Boards (2-hole)

| Part Number | Color | Weight | Length | Width | Height |
|-------------|---------------|--------|--------|-------|--------|
| 66-209-422 | Radiant White | 55.00 | 82 | 39 | 3.5 |
| 66-209-4223 | Sandstone | 55.00 | 82 | 39 | 3.5 |
| 66-209-4224 | Gray Granite | 55.00 | 82 | 39 | 3.5 |

Compatible w/ 6' Flyte Deck, 606 Cantilever & 656 Supreme ONLY



Frontier II Boards (3-hole)

| Part Number | Board Size | Color | Weight | Length | Width | Height |
|---------------|------------|----------------------------|--------|--------|-------|--------|
| 66-209-586S2 | 6' | Radiant White | 52.00 | 74 | 20 | 3 |
| 66-209-586S3 | 6' | Marine Blue | 52.00 | 74 | 20 | 3 |
| 66-209-586S10 | 6' | Taupe | 52.00 | 74 | 20 | 3 |
| 66-209-586S20 | 6' | Pewter Gray | 52.00 | 74 | 20 | 3 |
| 66-209-586S23 | 6' | Pebble w/clear tread | 52.00 | 74 | 20 | 3 |
| 66-209-586S24 | 6' | Gray Granite w/clear tread | 52.00 | 74 | 20 | 3 |
| 66-209-588S2 | 8' | Radiant White | 70.00 | 98 | 20 | 3 |
| 66-209-588S3 | 8' | Marine Blue | 70.00 | 98 | 20 | 3 |
| 66-209-588S10 | 8' | Taupe | 70.00 | 98 | 20 | 3 |
| 66-209-588S20 | 8' | Pewter Gray | 70.00 | 98 | 20 | 3 |
| 66-209-588S23 | 8' | Pebble w/clear tread | 70.00 | 98 | 20 | 3 |
| 66-209-588S24 | 8' | Gray Granite w/clear tread | 70.00 | 98 | 20 | 3 |



Frontier III Boards (2-hole)

| Part Number | Board Size | Color | Weight | Length | Width | Height |
|---------------|------------|----------------------------|--------|--------|-------|--------|
| 66-209-596S2 | 6' | Radiant White | 52.00 | 74 | 20 | 3 |
| 66-209-596S3 | 6' | Marine Blue | 52.00 | 74 | 20 | 3 |
| 66-209-596S10 | 6' | Taupe | 52.00 | 74 | 20 | 3 |
| 66-209-596S20 | 6' | Pewter Gray | 52.00 | 74 | 20 | 3 |
| 66-209-596S23 | 6' | Pebble w/clear tread | 52.00 | 74 | 20 | 3 |
| 66-209-596S24 | 6' | Gray Granite w/clear tread | 52.00 | 74 | 20 | 3 |
| 66-209-598S2 | 8' | Radiant White | 70.00 | 98 | 20 | 3 |

| | | | | | | |
|---------------|-----|----------------------------|-------|-----|----|---|
| 66-209-598S3 | 8' | Marine Blue | 70.00 | 98 | 20 | 3 |
| 66-209-598S10 | 8' | Taupe | 70.00 | 98 | 20 | 3 |
| 66-209-598S20 | 8' | Pewter Gray | 70.00 | 98 | 20 | 3 |
| 66-209-598S2 | 8' | Silver Gray | 70.00 | 98 | 20 | 3 |
| 66-209-598S23 | 8' | Pebble w/clear tread | 70.00 | 98 | 20 | 3 |
| 66-209-598S24 | 8' | Gray Granite w/clear tread | 70.00 | 98 | 20 | 3 |
| 66-209-600S2 | 10' | Radiant White | 85.00 | 122 | 20 | 3 |
| 66-209-600S3 | 10' | Marine Blue | 85.00 | 122 | 20 | 3 |
| 66-209-600S10 | 10' | Taupe | 85.00 | 122 | 20 | 3 |
| 66-209-600S20 | 10' | Pewter Gray | 85.00 | 122 | 20 | 3 |



Glas-Hide Boards (2-hole)

| Part Number | Board Size | Color | Weight | Length | Width | Height |
|----------------|------------|---------------|--------|--------|-------|--------|
| 66-209-206S2-1 | 6' | Radiant White | 57.00 | 74 | 20 | 3 |
| 66-209-206S3-1 | 6' | Marine Blue | 57.00 | 74 | 20 | 3 |
| 66-209-208S2-1 | 8' | Radiant White | 75.00 | 98 | 20 | 3 |
| 66-209-208S3-1 | 8' | Marine Blue | 75.00 | 98 | 20 | 3 |
| 66-209-210S2-1 | 10' | Radiant White | 95.00 | 122 | 20 | 3 |
| 66-209-210S3-1 | 10' | Marine Blue | 95.00 | 122 | 20 | 3 |



HipHop Boards (2-hole)

| Part Number | Color | Weight | Length | Width | Height |
|-------------|---------------|--------|--------|-------|--------|
| 66-209-412 | Radiant White | 55.00 | 87 | 33 | 3.5 |
| 66-209-4123 | Sandstone | 55.00 | 87 | 33 | 3.5 |
| 66-209-4124 | Gray Granite | 55.00 | 87 | 33 | 3.5 |

Compatible w/ 6' Flyte Deck, 606 Cantilever & 656 Supreme ONLY

Mounting Kits

| Part Number | Description | Weight |
|------------------|--|--------|
| 67-209-911-SS | Residential Board Mounting Kit - White | 1 |
| 67-209-911-SS-PG | Residential Board Mounting Kit - Gray | 1 |
| 67-209-911-SS-TP | Residential Board Mounting Kit - Taupe | 1 |
| 67-209-903-SS | 18" Commercial Board Mounting Kit for 10' and 12' boards | 2 |
| 67-209-904-SS | 20" Commercial Board Mounting Kit for 14' and 16' boards | 2.5 |
| 69-209-032-SS | Frontier II Board Mounting Kit | 1 |
| 67-209-925 | HipHop/FreeStyle Board Mounting Kit - White | 1 |
| 67-209-925-10 | HipHop/FreeStyle Board Mounting Kit - Taupe | 1 |
| 67-209-925-20 | HipHop/FreeStyle Board Mounting Kit - Gray | 1 |

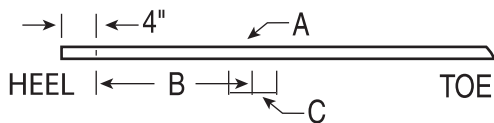
Board & Stand Selector

| | 2/3 M Deck Level | Cantilever | Deluxe 1 & 3 M | D-Lux | Econoline 1M | Flyte-Deck II | Frontier II | Salt Pool Jump System | Steel Meter 1/2, 3/4, 1M | Supreme | U-Frame |
|-------------------------|------------------|------------|----------------|-------|--------------|---------------|-------------|-----------------------|--------------------------|---------|---------|
| Eureka | | | • | | • | | | | | | |
| Fibre-Dive | | | | | | • | | | | | • |
| FreeStyle | | • | | • | | • | | • | | • | |
| Frontier II | | | | | | | • | | | | |
| Frontier III | | • | | | | • | | • | • | • | • |
| Frontier III Commercial | • | | • | | • | | | | • | | • |
| Frontier IV | | | | | | | | | •* | | •* |
| Glas-Hide | | • | | | | | | | | • | |
| HipHop | | • | | • | | • | | • | | • | |
| Olympian | • | • | • | | • | | | | • | • | • |
| Swim Club | • | | • | | • | | | | • | | • |

*Frontier IV boards require a special part number stand – call factory for assistance

Fulcrum Settings for Diving Boards

| | | | | | | | |
|---|-----------|-----|-----|-----|-----|-----|-----|
| A | Board | 6' | 8' | 10' | 12' | 14' | 16' |
| B | Fulcrum | 30" | 40" | 52" | 62" | 74" | 86" |
| C | Tolerance | ±3" | ±4" | ±5" | ±6" | ±6" | ±6" |



Diving Boards must be installed with rubber fulcrum pads. Fulcrum settings beyond the stated tolerance void the warranty. Diving boards must be installed level across fulcrum and heel supports. Rubber mounting pads (washers) must be installed between. Tightening Schedule found in the product's instruction booklet.

Weight capacity for all boards is 250 lbs., except for the Frontier IV, which is 400 lbs.

Learn to safely install diving boards.

visit www.srsmithcpi.com/

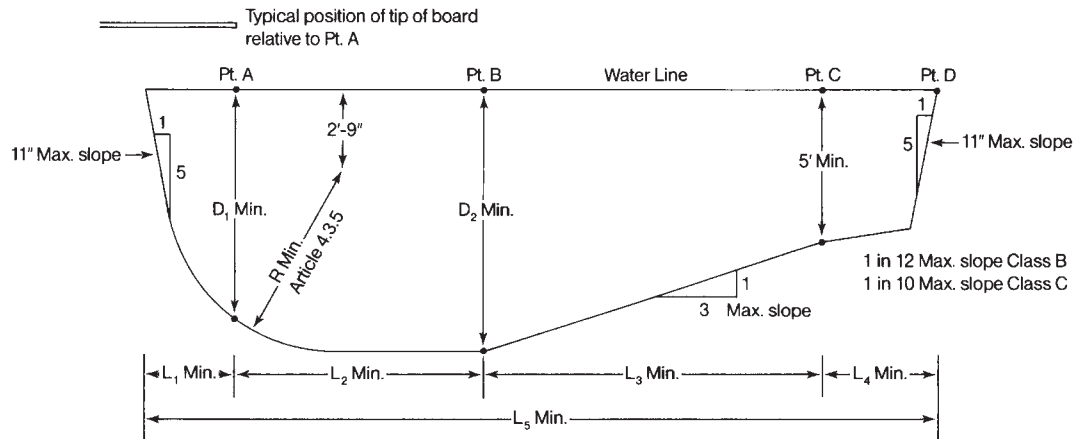
Learn more about diving board safety at:

www.divingboardsafety.net



ANSI/NSPI-1 2003 Standard for Public Swimming Pools

Minimum Diving Water Envelope



NOTE: L₄ is a minimum dimension to allow sufficient length opposite the board. This may of course be lengthened to form the shallow portion of the pool.

| POOL Type | MINIMUM DIMENSIONS | | | | | | | | MIN. WIDTH OF POOL AT: | | |
|-----------|--------------------|--------|-------|-------|--------|--------|-------|--------|------------------------|--------|--------|
| | D1 | D2 | R | L1 | L2 | L3 | L4 | L5 | PT. A | PT. B | PT. C |
| VI | 7'-0" | 8'-6" | 5'-6" | 2'-6" | 8'-0" | 10'-6" | 7'-0" | 28'-0" | 16'-0" | 18'-0" | 18'-0" |
| VII | 7'-6" | 9'-0" | 6'-0" | 3'-0" | 9'-0" | 12'-0" | 4'-0" | 28'-0" | 18'-0" | 20'-0" | 20'-0" |
| VIII | 8'-6" | 10'-0" | 7'-0" | 4'-0" | 10'-0" | 15'-0" | 2'-0" | 31'-0" | 20'-0" | 22'-0" | 22'-0" |
| IX | 11'-0" | 12'-0" | 8'-6" | 6'-0" | 10'-6" | 21'-0" | 0 | 37'-6" | 22'-0" | 24'-0" | 24'-0" |

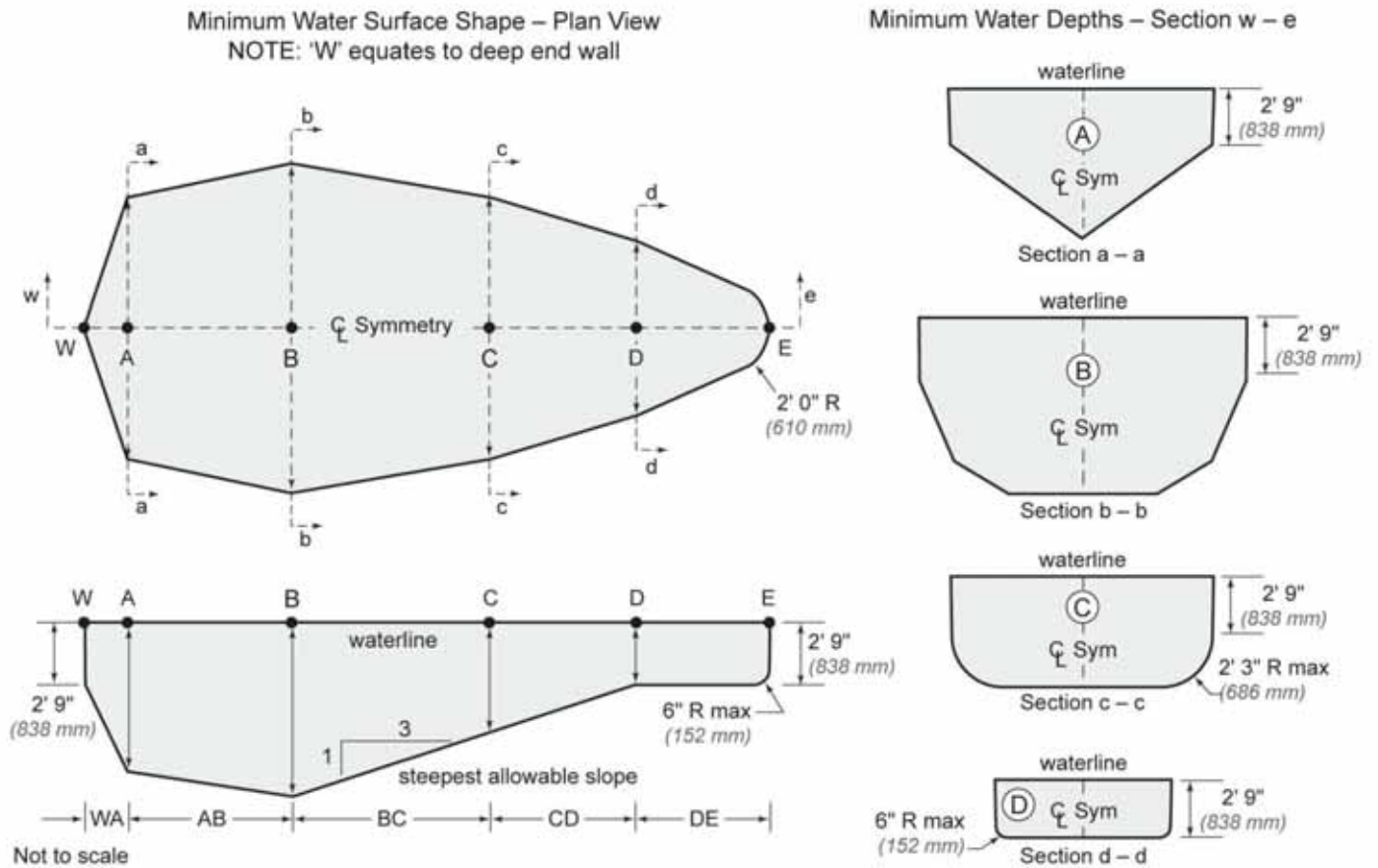
L₂, L₃, and L₄ combined represent the minimum distance from the tip of board to pool wall opposite diving equipment. For board heights exceeding 3 meters see Article 4.5.2.

NOTE: Placement of boards shall observe the following minimum dimensions. With multiple board installations minimum pool widths must be increased accordingly.

| Pool Type | Related Diving Max. diving board length | Equipment Max board height over water | Note: Placement of boards shall observe the following minimum dimensions. With multiple board installations minimum pool widths must be increased accordingly | |
|-----------|---|---------------------------------------|---|-----|
| VI | 10' | (2/3 Meter) 26" | Deck Level Board to Pool Side | 8' |
| VII | 12' | (3/4 Meter) 30" | 1 Meter Board to Pool Side | 10' |
| | | | 3 Meter Board to Pool Side | 11' |
| VIII | 16' | 1 Meter | 1 Meter or Deck Level Board to 3 Meter Board | 10' |
| IX | 16' | 3 Meter | 1 Meter or Deck Level to another 1 Meter or Deck Level Board | 8' |
| | | | 3 Meter to another 3 Meter Board | 10' |

ANSI/APSP/ICC-5 2011 Standard for Residential Inground Swimming Pools

Figure 3 Minimum diving water envelope



| Pool Types | Minimum Depths at Point | | | | Minimum Widths at Point | | | | Minimum Lengths between Points | | | | | |
|------------|---|-------------------|-------------------|-------------------|-------------------------|--------------------|--------------------|-------------------|--------------------------------|-------------------|--------------------|--------|-------------------|--------------------|
| | A | B | C | D | A | B | C | D | WA | AB | BC | CD | DE | WE |
| 0 | Manufactured diving equipment is prohibited | | | | | | | | | | | | | |
| 1 | 6' 0" (1.82 m) | 7' 6" (2.29 m) | 5' 0" (1.52 m) | 2' 9" (838 mm) | 10' 0" (3.05 m) | 12' 0" (1.52 m) | 10' 0" (3.05 m) | 8' 0" (2.44 m) | 1' 6" (457 mm) | 7' 0" (2.13 m) | 7' 6" (2.29 m) | Varies | 6' 0" (1.82 m) | 28' 9" (8.76 m) |
| 2 | 6' 0" (1.82 m) | 7' 6" (2.29 m) | 5' 0" (1.52 m) | 2' 9" (838 mm) | 12' 0" (3.66 m) | 15' 0" (4.57 m) | 12' 0" (3.66 m) | 8' 0" (2.44 m) | 1' 6" (457 mm) | 7' 0" (2.13 m) | 7' 6" (2.29 m) | Varies | 6' 0" (1.82 m) | 28' 9" (8.76 m) |
| 3 | 6' 10" (2.08 m) | 8' 0" (2.44 m) | 5' 0" (1.52 m) | 2' 9" (838 mm) | 12' 0" (3.66 m) | 15' 0" (4.57 m) | 12' 0" (3.66 m) | 8' 0" (2.44 m) | 2' 0" (610 mm) | 7' 6" (2.29 m) | 9' 0" (2.74 m) | Varies | 6' 0" (1.82 m) | 31' 3" (9.53 m) |
| 4 | 7' 8" (2.34 m) | 8' 6" (2.59 m) | 5' 0" (1.52 m) | 2' 9" (838 mm) | 15' 0" (4.57 m) | 18' 0" (5.49 m) | 15' 0" (4.57 m) | 9' 0" (2.74 m) | 2' 6" (762 mm) | 8' 0" (2.44 m) | 10' 6" (3.20 m) | Varies | 6' 0" (1.82 m) | 33' 9" (10.3 m) |
| 5 | 8' 6" (2.59 m) | 9' 0" (2.74 m) | 5' 0" (1.52 m) | 2' 9" (838 mm) | 15' 0" (4.57 m) | 18' 0" (5.49 m) | 15' 0" (4.57 m) | 9' 0" (2.74 m) | 3' 0" (914 mm) | 9' 0" (2.74 m) | 12' 0" (3.66 m) | Varies | 6' 0" (1.82 m) | 36' 9" (11.2 m) |

NOTES

1. Minimum length between points CD may vary based upon water depth at point D and the slope between points C and D.
2. Drawings are not to scale.
3. Negative construction tolerances (see para. 5.1.1) shall not be applied to any of the dimensions shown in the Minimum Water Envelopes given in Table 1.
4. Pool types designate minimum water envelope sizes as specified by the diving board manufacturers.

| POOL TYPE | | BOARD LENGTH | | | | | |
|-------------|------------------------------|--------------------------------------|-------------|--------------|---------------|--------------|------------------|
| | | Pool Type 0 | Pool Type I | Pool Type II | Pool Type III | Pool Type IV | Pool Type V |
| STAND MODEL | Fusion | DIVING EQUIPMENT IS PROHIBITED | YES | YES | YES | YES | YES |
| | D-Lux | | 6' | 6' | 6' | 6' | 6' |
| | Flyte-Deck | | 6' | 6', 8' | 6', 8', 10' | 6', 8', 10' | 6', 8', 10' |
| | U-Frame | | 6' | 6', 8' | 6', 8', 10' | 6', 8', 10' | 6', 8', 10', 12' |
| | 606/608 Cantilver (steel) | | 6' | 6' | 6', 8' | 6', 8' | 6', 8' |
| | 656/658 Supreme (fiberglass) | | 6' | 6' | 6', 8' | 6', 8' | 6', 8' |
| | Salt Pool Jump Stand | | 6' | 6' | 6', 8' | 6', 8' | 6', 8' |
| | Frontier II | | 6' | 6' | 6', 8' | 6', 8' | 6', 8' |
| | 1/2 Meter Steel | | | 8' | 8', 10' | 8', 10' | 8', 10' |
| | 3/4 Meter Steel | | | | | 10' | 10', 12' |
| | 1 Meter Steel | | | | | | 10', 12' |

TABLE 2 – S.R. SMITH RESIDENTIAL POOL SPECIFICATIONS

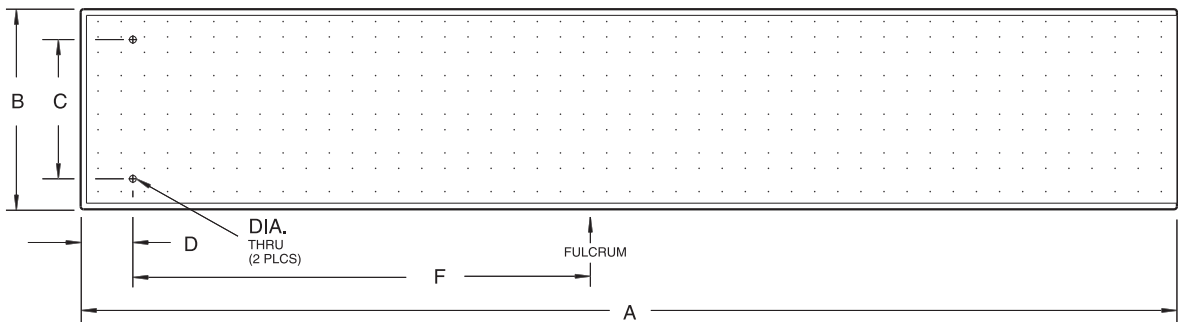
| POOL TYPE | MAX. DIVING BOARD LENGTH | MAX. HEIGHT OVER WATER | CROSS SECTIONAL DIMENSIONS AT POINT A | | CROSS SECTIONAL DIMENSIONS AT POINT B | | | | | |
|-----------|---------------------------------------|------------------------|---------------------------------------|------------|---------------------------------------|-----------|-------|-----------|------------|-----------|
| | DBL ^{**} | HOW ^{**} | F | G | H | J | K | L | M | N |
| 0 | DIVING EQUIPMENT IS PROHIBITED | | | | | | | | | |
| I | 6' DB/6' JB | 20" | 2'-9" | 5'-0" | 4'-0" | 7'-2 1/2" | 7'-6" | 6'-0" | 3'-9" | 2'-1 1/2" |
| II | 8' DB/6' JB | 20" | 2'-9" | 3'-10" | 4'-2" | 7'-2 1/2" | 7'-6" | 6'-8" | 3'-9" | 2'-1 1/2" |
| III | 10' DB/8' JB | 26" | 2'-9" | 4'-4 3/4" | 4'-4 1/2" | 7'-5 1/2" | 8'-0" | 6'-7" | 3'-11 1/2" | 1'-7 1/2" |
| IV | 10' DB/8' JB | 30" | 2'-9" | 5'-10 1/2" | 3'-10" | 7'-8" | 8'-6" | 8'-3" | 5'-7" | 2'-7" |
| V | 12' DB/8' JB | 40" | 2'-9" | 6'-2" | 3'-11 1/2" | 7'-9 1/2" | 9'-0" | 8'-2 1/2" | 5'-9" | 2'-1" |

NOTES:

- **1. ABBREVIATIONS: DBL=Diving Board Length, DB=Diving Board, JB=Jump Board, HOW=Height Over Water.
2. IMPORTANT: The walls of a Type I Pool, when defining the Maximum Diving Water Envelope shall be plumb.
3. All dimensions are minimum, except where noted as maximum.
4. One half (1/2) the width shown at each point shall be available on each side of the diving equipment centerline.
5. Minimum water depth under tip of diving board (Point A) is important to maintain.

Board Identification Guide

TWO-HOLE DIVING BOARD DIMENSIONS



CURRENT DIVING BOARDS

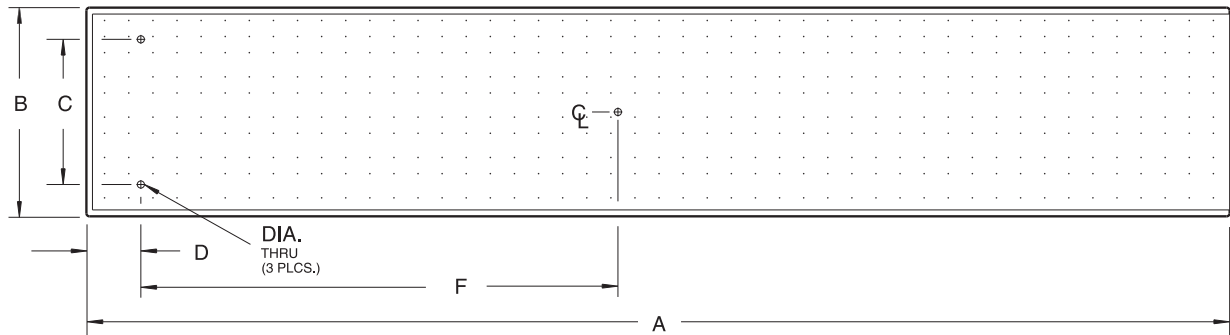
| MODEL | A | B | C | D | F | DIA. |
|--------------------------------|---------|--------|--------|-------|--------|--------|
| RESIDENTIAL POOL BOARDS | | | | | | |
| 6' Frontier III (10" Centers) | 70.50" | 17.25" | 10.00" | 4.00" | 30.00" | 19/32" |
| 6' Fibre-Dive & Glas-Hide | 70.50" | 17.25" | 12.00" | 4.00" | 30.00" | 19/32" |
| 8' Fibre-Dive & Glas-Hide | 94.50" | 17.25" | 12.00" | 4.00" | 40.00" | 19/32" |
| 10' Fibre-Dive & Glas-Hide | 118.50" | 17.25" | 12.00" | 4.00" | 52.00" | 19/32" |
| 6' Frontier III | 70.50" | 17.25" | 12.00" | 4.00" | 30.00" | 19/32" |
| 8' Frontier III | 94.50" | 17.25" | 12.00" | 4.00" | 40.00" | 19/32" |
| 10' Frontier III | 118.50" | 17.25" | 12.00" | 4.00" | 52.00" | 19/32" |
| 8' Frontier IV | 94.50" | 17.25" | 11.00" | 4.00" | 40.00" | 19/32" |
| HipHop | 80" | 30" | 12.00" | | | 19/32" |
| FreeStyle | 75" | 36" | 12.00" | | | 19/32" |
| PUBLIC POOL BOARDS | | | | | | |
| 10' Commercial | 118.50" | 17.25" | 12.00" | 4.00" | 52.00" | 19/32" |
| 12' Commercial | 142.50" | 17.25" | 12.00" | 4.00" | 62.00" | 19/32" |
| 14' Commercial & Eureka | 166.50" | 19.25" | 12.00" | 4.00" | 74.00" | 19/32" |
| 16' Commercial & Eureka | 190.50" | 19.25" | 12.00" | 4.00" | 86.00" | 19/32" |
| 10' Aluminum | 120.00" | 18.00" | 12.00" | 4.00" | 52.00" | 19/32" |
| 12' Aluminum | 144.00" | 18.00" | 12.00" | 4.00" | 62.00" | 19/32" |
| 14' Aluminum | 168.00" | 20.00" | 12.00" | 4.00" | 74.00" | 19/32" |
| 16' Aluminum | 192.00" | 20.00" | 12.00" | 4.00" | 86.00" | 19/32" |

OBSOLETE DIVING BOARDS

| | | | | | | |
|------------------|---------|--------|--------|-------|--------|--------|
| AB-6F | 6' | 16.00" | 10.00" | 3.00" | | |
| AB-8 | 8' | 18.00" | 12.00" | 4.00" | | |
| AB-10 | 10' | 18.00" | 12.00" | 4.00" | | |
| AB-12 | 12' | 18.00" | 12.00" | 4.00" | | |
| ABO-XII | 12' | 20.00" | 12.00" | 4.00" | | |
| ABO-XIV | 14' | 20.00" | 12.00" | 4.00" | | |
| ABO-XVI | 16' | 20.00" | 12.00" | 4.00" | | |
| 12' Frontier III | 142.50" | 17.25" | 12.00" | 4.00" | 62.00" | 19/32" |

Board Identification Guide

THREE-HOLE JUMP BOARD DIMENSIONS



CURRENT JUMP BOARDS

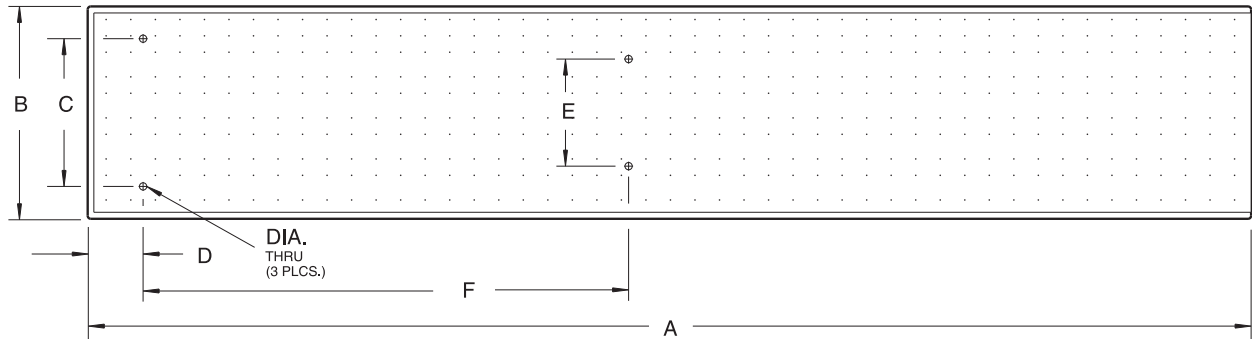
| MODEL | A | B | C | D | F | DIA. |
|----------------|--------|--------|--------|--------|--------|--------|
| 6' Anthony | 70.50" | 17.25" | 12.00" | 3.25" | 20.50" | 19/32" |
| 6' Frontier II | 70.50" | 17.25" | 4.50" | 8.00" | 30.00" | 19/32" |
| 6' Pioneer | 70.50" | 17.25" | 12.00" | 12.00" | 15.00" | 19/32" |
| 8' Frontier II | 94.50" | 17.25" | 4.50" | 14.00" | 36.00" | 19/32" |
| 8' Anthony | 94.50" | 17.25" | 12.00" | 3.25" | 30.50" | 19/32" |

OBSOLETE JUMP BOARDS

| | | | | | | |
|------------------------------|--------|--------|--------|--------|--------|--------|
| 6' Frontier | 70.50" | 17.25" | 12.00" | 12.00" | 18.00" | 19/32" |
| 8' Frontier | 94.50" | 17.25" | 12.00" | 12.00" | 30.00" | 19/32" |
| ASB-40-3-1 | 4.50' | 16.00" | 4.50" | 3.50" | 27.00" | |
| ASB-60-3-1 | 6' | 16.00" | 4.50" | 8.00" | 30.00" | |
| ASB-80-3-1 | 8' | 18.00" | 4.50" | 14.50" | 36.00" | |
| ACB-4 | 4' | 16.00" | 4.50" | 4.50" | 16.00" | |
| ACB-6 | 6' | 16.00" | 4.50" | 8.00" | 30.00" | |
| ACB-8 | 8' | 18.00" | 4.50" | 14.50" | 36.00" | |
| ACB-50M-4 | 4' | 16.00" | 10.00" | 3.00" | 16.00" | |
| ACB-50M-6 | 6' | 16.00" | 10.00" | 4.00" | 30.00" | |
| ACB-50M-8 | 8' | 18.00" | 10.00" | 4.00" | 36.00" | |
| KKJ-40/50M-4 | 4' | 16.00" | 12.00" | 4.00" | 16.00" | |
| KKJ-40/50M-6 | 6' | 16.00" | 12.00" | 12.00" | 15.00" | |
| KKJ-50M-8 | 8' | 18.00" | 12.00" | 12.00" | 29.50" | |
| Marine 6' | 6' | 16.00" | 12.00" | 12.00" | 15.00" | |
| Marine 8' | 8' | 18.00" | 12.00" | 12.00" | 29.50" | |
| 6' Continental Single Spring | 6' | 16.00" | 12.00" | 12.00" | 15.00" | |
| 8' Continental Single Spring | 8' | 18.00" | 12.00" | 12.00" | 29.50" | |
| 6' DBS Single Spring | 6' | 16.00" | 12.00" | 12.00" | 15.00" | |
| 8' DBS Single Spring | 8' | 18.00" | 12.00" | 12.00" | 29.50" | |
| 6' Anthony Single Spring | 6' | 16.00" | 12.00" | 6.00" | 20.50" | |
| 8' Anthony Single Spring | 8' | 18.00" | 12.00" | 6.00" | 30.50" | |

Board Identification Guide

FOUR-HOLE JUMP BOARD DIMENSIONS



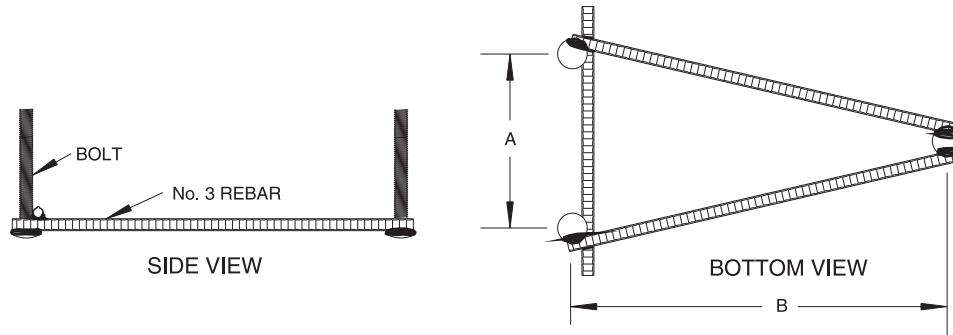
OBSOLETE JUMP BOARDS

| MODEL | A | B | C | D | E | F | DIA. |
|----------------------------|--------|--------|--------|--------|--------|--------|--------|
| 4' Baja | 46.50" | 17.25" | 12.00" | 12.00" | 7.00" | 7.00" | 7/16" |
| 6' Baja | 70.50" | 17.25" | 12.00" | 12.00" | 7.00" | 15.00" | 7/16" |
| 8' Baja | 94.50" | 17.25" | 12.00" | 12.00" | 7.00" | 26.00" | 7/16" |
| 6' Space Maker | 70.50" | 17.25" | 12.00" | 12.00" | 12.00" | 30.50" | 19/32" |
| 8' Space Maker | 94.50" | 17.25" | 12.00" | 20.00" | 12.00" | 30.50" | 19/32" |
| Gazelle | 94.50" | 17.25" | 12.00" | 10.00" | 12.00" | 20.00" | 19/32" |
| ASB-40-3 | 4' | 16.00" | 4.50" | 3.50" | 4.50" | 27.00" | |
| ASB-60-3 | 6' | 16.00" | 4.50" | 8.00" | 4.50" | 30.00" | |
| ASB-80-3-1 | 8' | 18.00" | 4.50" | 12.00" | 4.50" | 36.00" | |
| 6' DBS Double Spring | 6' | 16.00" | 12.00" | 6.00" | 10.50" | 24.00" | |
| 8' DBS Double Spring | 8' | 18.00" | 12.00" | 6.00" | 10.50" | 36.00" | |
| 6' Swimline Double Spring | 6' | 16.00" | 12.00" | 6.00" | 10.50" | 24.00" | |
| 8' Swimline Double Spring | 8' | 18.00" | 12.00" | 6.00" | 10.50" | 36.00" | |
| 6' Old Style Double Spring | 6' | 18.00" | 12.00" | 8.00" | 12.00" | 30.00" | |
| 8' Old Style Double Spring | 8' | 18.00" | 12.00" | 12.00" | 12.00" | 36.00" | |

The WARRANTY applies ONLY if the stands have the proper fulcrum length, the board rests evenly on the fulcrum pads and the board does not come in contact with ANY metal of the stands.

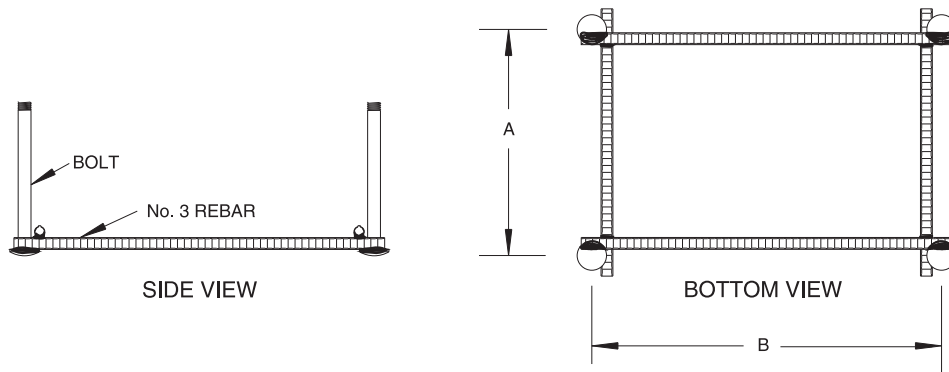
Jig Identification Guide

THREE-BOLT JIGS



| JIG TYPE | PART NO. | A | B | |
|----------------------------|---------------|--------|--------|--------------------|
| 6' FLYTE-DECK / D-LUX | 71-209-700-SS | 6.50" | 14.00" | 1/2" X 6" CARRIAGE |
| * 8' FLYTE-DECK OLD | 71-209-702-SS | 6.50" | 22.00" | 1/2" X 6" CARRIAGE |
| 8' FLYTE-DECK NEW | 71-209-704-SS | 6.50" | 24.00" | 1/2" X 6" CARRIAGE |
| 10' FLYTE-DECK | 71-209-703-SS | 6.50" | 31.00" | 1/2" X 6" CARRIAGE |
| 6' & 8' FRONTIER II SPRING | 69-209-227-SS | 3.25" | 6.00" | 5/8" X 6" CARRIAGE |
| * 4' COBRA COIL | 67-521-10-SS | 18.00" | 16.00" | 1/2" X 6" CARRIAGE |
| * 6' COBRA COIL | 67-521-10-SS | 18.00" | 30.00" | 1/2" X 6" CARRIAGE |
| * 8' COBRA COIL | 67-521-10-SS | 18.00" | 36.00" | 1/2" X 6" CARRIAGE |
| * 4' AQUA COIL | 02-946-11-SS | 4.50" | 16.00" | 1/2" X 6" CARRIAGE |

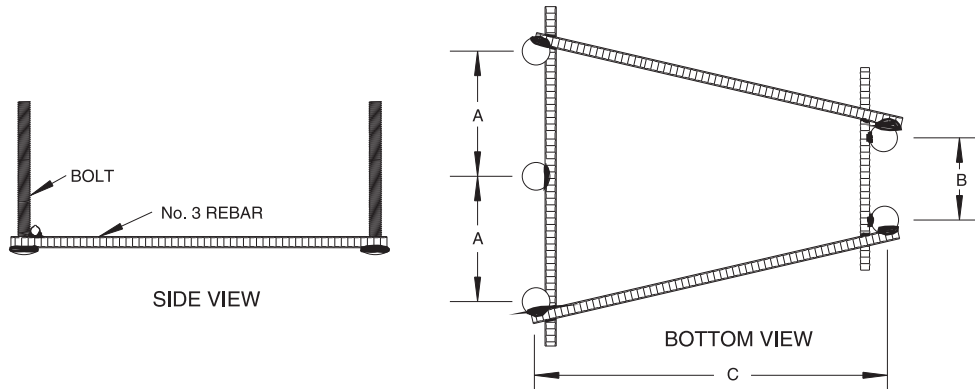
FOUR-BOLT JIGS



| JIG TYPE | PART NO. | A | B | BOLT |
|--|---------------|--------|--------|--------------------|
| 656/658 FIBERGLASS | 69-209-007-SS | 14.00" | 14.00" | 1/2" X 7" CARRIAGE |
| 606/608 STEEL / SALT POOL STAND / FUSION | 69-209-006-SS | 12.00" | 12.00" | 1/2" X 6" CARRIAGE |
| 606-F | 69-209-007-SS | 14.00" | 14.00" | 1/2" X 7" CARRIAGE |
| * 6' & 8' FRONTIER II STEEL PEDESTAL | 69-209-229-SS | 6.00" | 12.00" | 1/2" X 6" CARRIAGE |
| * 6' FRONTIER II FIBERGLASS | 69-209-224-SS | 5.00" | 6.00" | 1/2" X 7" CARRIAGE |
| * 8' FRONTIER II FIBERGLASS | 69-209-225-SS | 5.00" | 12.00" | 1/2" X 7" CARRIAGE |
| * 10' FRONTIER II FIBERGLASS | 69-209-226-SS | 6.00" | 26.50" | 1/2" X 7" CARRIAGE |
| * AJ-6' & AJ-8' CPB OR DPB | 67-971-10-SS | 8.00" | 12.00" | 1/2" X 6" CARRIAGE |
| * OBSOLETE JIG | | | | |

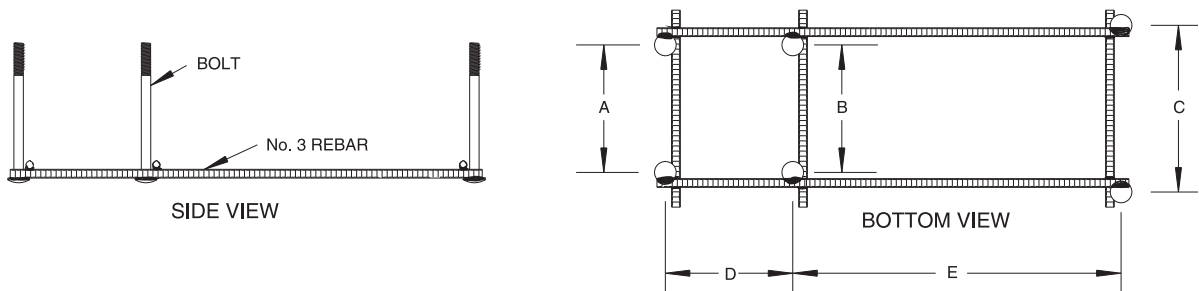
Jig Identification Guide

FIVE-BOLT JIGS



| JIG TYPE | JIG PART NO. | A | B | C | BOLT |
|---------------|---------------|-------|-------|--------|--------------------|
| * 6' CHEVRON | 71-209-726-SS | 4.00" | 5.00" | 14.00" | 1/2" X 6" CARRIAGE |
| * 8' CHEVRON | 71-209-728-SS | 4.00" | 5.00" | 22.00" | 1/2" X 6" CARRIAGE |
| * 10' CHEVRON | 71-209-730-SS | 4.00" | 5.00" | 27.00" | 1/2" X 6" CARRIAGE |

SIX-BOLT JIGS

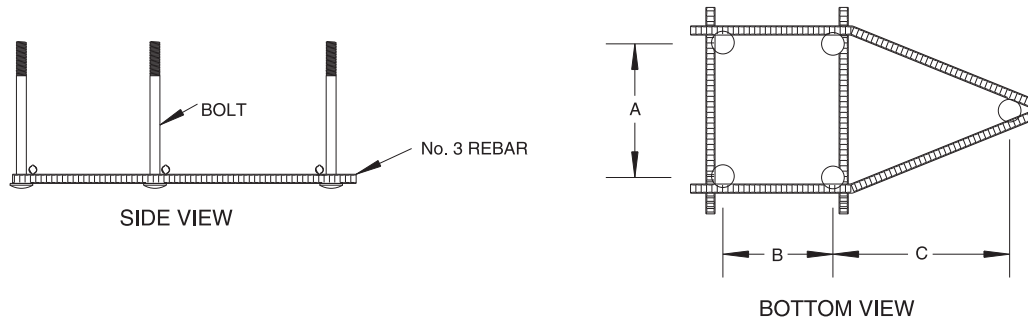


| JIG TYPE | JIG PART NO. | A | B | C | D | E | BOLT |
|---------------|---------------|-------|-------|--------|-------|--------|------------------------|
| STEEL METER | 71-209-541-SS | 4.00" | 6.50" | 10.00" | 3.00" | 17.00" | 1/2" X 6" CARRIAGE |
| * 4' BAJA | 69-209-698-SS | 6.50" | 6.50" | 8.50" | 6.50" | 9.00" | 1/2" X 6" CARRIAGE |
| * 6' BAJA | 69-209-699-SS | 6.50" | 6.50" | 8.50" | 6.50" | 16.75" | 1/2" X 6" CARRIAGE |
| * 8' BAJA | 69-209-700-SS | 6.50" | 6.50" | 8.50" | 6.50" | 27.75" | 1/2" X 6" CARRIAGE |
| * 6' FRONTIER | 69-209-676-SS | 6.50" | 6.50" | 6.50" | 6.50" | 17.50" | 1/2" X 6" CARRIAGE |
| * 6' PIONEER | | 6.50" | 8.00" | 6.50" | 5.50" | 15.50" | 1/2" X 5-1/2" CARRIAGE |
| * 8' FRONTIER | 69-209-678-SS | 6.50" | 6.50" | 6.50" | 6.50" | 29.50" | 1/2" X 6" CARRIAGE |
| * 8' PIONEER | | 6.50" | 8.00" | 6.50" | 5.50" | 29.50" | 1/2" X 5-1/2" CARRIAGE |

* OBSOLETE JIG

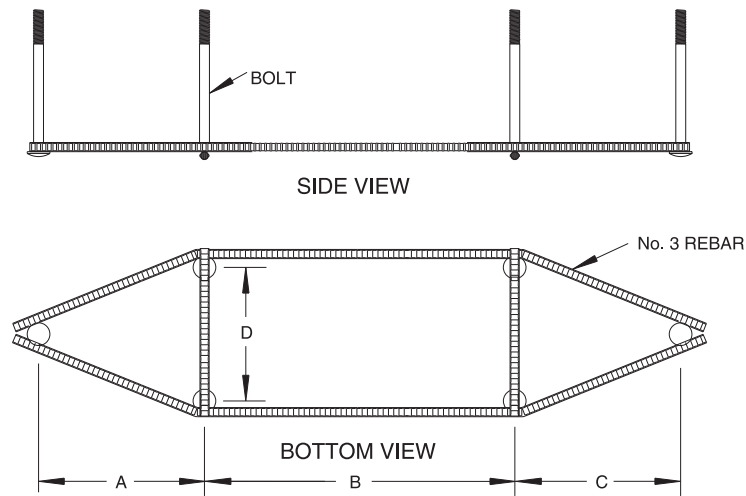
Jig Identification Guide

FIVE-BOLT JIGS



| JIG TYPE | JIG | | A | B | C | BOLT |
|-------------|--------------|--|-------|-------|-------|--------------------|
| | PART NO. | | | | | |
| * KKJ-40M-4 | 67-550-11-SS | | 6.50" | 6.50" | 7.50" | 1/2" X 6" CARRIAGE |

SIX-BOLT JIGS



| JIG TYPE | JIG | | A | B | C | D | BOLT |
|------------------|--------------|--|-------|--------|-------|-------|--------------------|
| | PART NO. | | | | | | |
| * ADCF-50M-8F | 02-970-11-SS | | 4.00" | 15.50" | 4.00" | 4.25" | 1/2" X 6" CARRIAGE |
| * ADCF-50M-10F | 02-970-11-SS | | 4.00" | 15.50" | 4.00" | 4.25" | 1/2" X 6" CARRIAGE |
| * ADCF-66M-1012F | 02-970-11-SS | | 4.00" | 15.50" | 4.00" | 4.25" | 1/2" X 6" CARRIAGE |
| * ADC-50M-8 | 02-971-10-SS | | 4.00" | 15.50" | 4.00" | 4.25" | 1/2" X 6" CARRIAGE |
| * ADC-50M-810 | 02-971-10-SS | | 4.00" | 15.50" | 4.00" | 4.25" | 1/2" X 6" CARRIAGE |
| * ADC-75M-1012 | 02-971-10-SS | | 4.00" | 15.50" | 4.00" | 4.25" | 1/2" X 6" CARRIAGE |
| * ADC-100M-1012 | 02-971-10-SS | | 4.00" | 15.50" | 4.00" | 4.25" | 1/2" X 6" CARRIAGE |
| * OBSOLETE JIG | | | | | | | |



Swim N' Spike Volleyball Games



- Competition quality net fits pools up to 16 ft wide (custom sizes also available)
Standard net: 36" tall x 16' wide, with 5'7" ties on either side.
- Commercial grade, 1.90" OD stainless steel uprights with a 4' installed height
- Removable posts– optional anchor cap sits flush to deck when not in use
- Competitive water volleyball, needle and AS-100P plastic anchors are included

Commercial Volleyball Games

| Part No. | Description | Shipping Wt. | L | W | H |
|----------|--|--------------|---|---|---|
| VOLYC32 | Commercial volleyball game, 30'-36' net, complete w/ anchors | 25 lbs. | | | |
| VOLYC42 | Commercial volleyball game, 40'-46' net, complete w/ anchors | 30 lbs. | | | |
| VOLYC52 | Commercial volleyball game, 50'-56' net, complete w/ anchors | 36 lbs. | | | |

COMPONENTS

| | | | | | |
|------------|----------------------------------|----------|-------|------|------|
| VOLY1A | Swim N' Spike uprights | 12 lbs. | 55" | 5" | 2.5" |
| VBK-101 | 32' net, volleyball and needle | 3.5 lbs. | 20.5" | 7.5" | 7.5" |
| VBK-102 | 42' net, volleyball and needle | 3.5 lbs. | 24" | 8" | 8" |
| VBK-103 | 52' net, volleyball and needle | 3.5 lbs. | 12" | 13" | 13" |
| 69-209-200 | Plastic Anchor kit w/escutcheons | 5 lbs. | 8" | 8" | 4" |

Salt Pool Friendly Volleyball Game

Our traditional volleyball game with black, salt friendly vinyl coated uprights.



| Part No. | Description | Shipping Wt. | L | W | H |
|----------|---|--------------|---|---|---|
| S-VOLY | Salt Pool Friendly volleyball game, complete w/anchors | 19 lbs. | | | |
| S-VOLY20 | Salt Pool Friendly volleyball game, complete with 20' net and anchors | 19 lbs. | | | |

COMPONENTS

| | | | | | |
|---------------|---|----------|-----|----|------|
| VOLY2A | Salt Pool Friendly game uprights | 12 lbs. | 55" | 5" | 2.5" |
| VBK-100 | 16' net, volleyball and needle | 3.5 lbs. | 11" | 9" | 9" |
| VBK-105 | 20' net, volleyball and needle | 3.5 lbs. | 11" | 9" | 9" |
| 69-209-200-VB | Plastic Anchor kit w/escutcheons, black | 5 lbs. | 8" | 8" | 4" |

Swim N' Spike Traditional Volleyball Game

| Part No. | Description | Shipping Wt. | L | W | H |
|----------|--|--------------|---|---|---|
| VOLY | Swim N' Spike volleyball game, complete w/anchors | 21 lbs. | | | |
| VOLY20 | Swim N' Spike volleyball game, complete with 20' net and anchors | 21 lbs. | | | |

COMPONENTS

| | | | | | |
|------------|----------------------------------|----------|-----|----|------|
| VOLY1A | Swim N' Spike uprights | 12 lbs. | 55" | 5" | 2.5" |
| VBK-100 | 16' net, volleyball and needle | 3.5 lbs. | 11" | 9" | 9" |
| VBK-105 | 20' net, volleyball and needle | 3.5 lbs. | 11" | 9" | 9" |
| 69-209-200 | Plastic Anchor kit w/escutcheons | 5 lbs. | 8" | 8" | 4" |

Optional:
30009 Bronze Anchor Set (2)

Swim N' Dunk Basketball Games



Traditional Dual-post Basketball Game

- Available in single or dual-post designs
- Commercial grade, 1.90" OD stainless steel uprights
- Removable unit – optional anchor cap sits flush to deck when not in use
- Regulation rim, net, basketball, needle and AS-100P plastic anchors are included

Commercial Dual-post Basketball Game

| Part No. | Description | Shipping Wt. | L | W | H |
|------------|--|--------------|-----|-------|----|
| COMPLETE | | | | | |
| BASKC | Commercial basketball game, complete w/anchors | 60 lbs. | | | |
| COMPONENTS | | | | | |
| BASKC-1A | Uprights, crossbrace, ball, needle | 33 lbs. | 75" | 14" | 2" |
| SPG-100 | Backboard w/ hardware | 22 lbs. | 45" | 30.5" | 2" |
| SPG-101 | Rim and net with hardware | 9 lbs. | 25" | 19.5" | 5" |
| 69-209-200 | Plastic Anchor set w/escutcheons | 5 lbs. | 8" | 8" | 4" |

Traditional Dual-post Basketball Game

| Part No. | Description | Shipping Wt. | L | W | H |
|------------|---------------------------------------|--------------|-----|-------|----|
| COMPLETE | | | | | |
| BASK | Swim N' Dunk game, complete w/anchors | 62 lbs. | | | |
| COMPONENTS | | | | | |
| BASK1A | Uprights, crossbrace, ball, needle | 22 lbs. | 75" | 11" | 2" |
| SPG-100 | Backboard w/ hardware | 22 lbs. | 45" | 30.5" | 2" |
| SPG-101 | Rim and net with hardware | 9 lbs. | 25" | 19.5" | 5" |
| 69-209-200 | Plastic Anchor set w/escutcheons | 5 lbs. | 8" | 8" | 4" |



Salt Pool Friendly Basketball Game

Salt Pool Friendly Competition Basketball Game

The Salt Pool Friendly basketball game has black salt friendly vinyl coated uprights and rim

| Part No. | Description | Shipping Wt. | L | W | H |
|---------------|---|--------------|-----|-----|----|
| COMPLETE | | | | | |
| S-BASK-44 | Salt Pool Friendly game, complete w/anchors | 46 lbs. | | | |
| COMPONENTS | | | | | |
| BASK2A | Uprights, crossbrace, ball, needle | 23 lbs. | 75" | 11" | 2" |
| S-BASK-B | Backboard, no hardware | 12 lbs. | 45" | 30" | 2" |
| S-BASK-R | Vinyl coated rim w/hardware | 12 lbs. | 25" | 20" | 4" |
| 69-209-200-VB | Plastic Anchor set w/black escutcheons | 5 lbs. | 8" | 8" | 4" |

Note: Salt Pool Friendly components are NOT compatible/interchangeable with other S.R.Smith basketball games.

Competition Basketball Game

The Competition basketball game has a black powder coated rim with stainless steel uprights

| Part No. | Description | Shipping Wt. | L | W | H |
|------------|--------------------------------------|--------------|-----|-----|----|
| COMPLETE | | | | | |
| BASK-44 | Competition game, complete w/anchors | 46 lbs. | | | |
| COMPONENTS | | | | | |
| BASK3A | Uprights, crossbrace, ball, needle | 20 lbs. | 75" | 11" | 2" |
| S-BASK-B | Backboard, no hardware | 12 lbs. | 45" | 30" | 2" |
| P-BASK-R | Powder coated rim w/hardware | 12 lbs. | 25" | 20" | 4" |
| 69-209-200 | Plastic Anchor set w/escutcheons | 5 lbs. | 8" | 8" | 4" |

Single-post Basketball Game

| Part No. | Description | Shipping Wt. | L | W | H |
|------------|---|--------------|-----|-----|----|
| COMPLETE | | | | | |
| SPBSK-100 | Single-post basketball game, complete w/anchor and escutcheon | 42 lbs. | | | |
| COMPONENTS | | | | | |
| SPG-104 | Backboard, rim and net with hardware | 26 lbs. | 45" | 30" | 6" |
| 69-209-197 | Frame, ball and needle | 14 lbs. | 65" | 14" | 5" |
| AS-100D | Bronze Anchor w/escutcheon | 3 lbs. | 6" | 6" | 3" |
| EP-100F | Escutcheon | 1 lb. | | | |



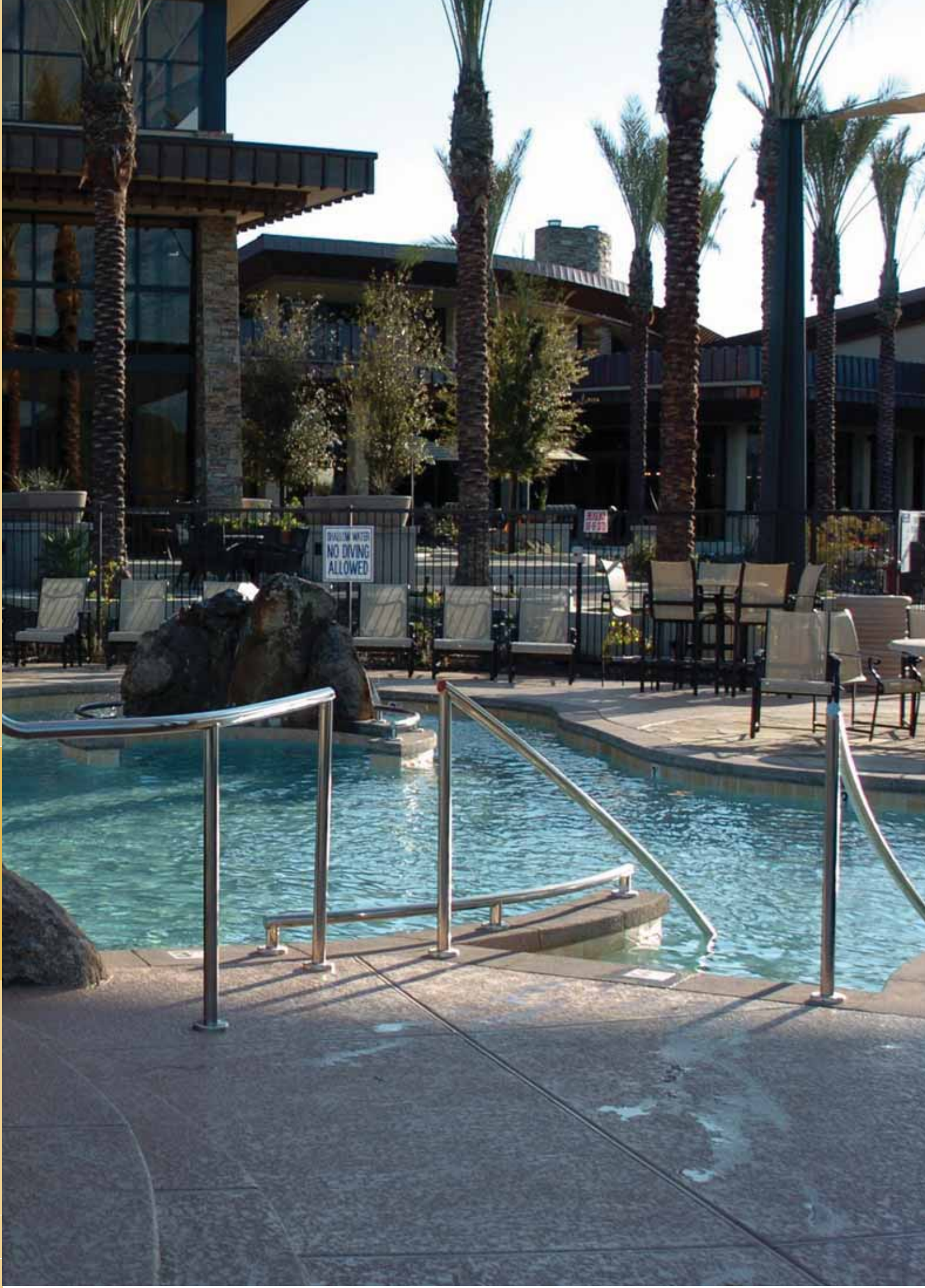
Single-post Basketball Game

Single-post Basketball/Volleyball Combo Pack

| Part No. | Description | Shipping Wt. | L | W | H |
|------------|---|--------------|-----|-----|----|
| COMPLETE | | | | | |
| SPBSK-200 | Single-post basketball/volleyball kit, complete w/anchors | 60 lbs. | | | |
| COMPONENTS | | | | | |
| SPG-104 | Single post basketball board, rim and net w/hardware | 26 lbs. | 45" | 30" | 6" |
| 69-209-197 | Frame, ball, needle | 14 lbs. | 65" | 14" | 5" |
| VBK-105 | 16' Volleyball net | 3 lbs. | 27" | 5" | 4" |
| 69-209-196 | Single post combo volleyball package | 12 lbs. | 55" | 3" | 3" |
| 69-209-200 | Plastic Anchor set w/escutcheons | 5 lbs. | 8" | 8" | 4" |

Accessories and Replacement Parts

| Part No. | Description |
|------------|-------------------------|
| 69-209-115 | Jig for dual post games |
| SPG-102 | Basketall (replacement) |
| 30009 | Bronze Anchor set (2) |



Ladders + Rails

Putting some thought into selecting the right rail materials for your pool will extend the life of your ladders and rails. Here are a few things to consider when purchasing rail goods, to ensure you get the maximum performance from your products.

Pool Environment

Is the pool indoor or outdoor? Is the pool water maintained via traditional chlorination, or with a salt chlorinator? Some pool environments are more challenging than others and the various rail finishes that are available to you will perform differently depending on the environment.

Types of Finishes

Traditional Stainless Steel — We use 304 stainless steel on our standard rails.

Marine Grade – 316L stainless steel. A higher level of protection against harsh environments. The minimum that you would want in a salt chlorinated pool.

Powder Coated – A high-quality, scratch and corrosion resistant coating available in a variety of colors.

SealedSteel™ – Steel rails fully encapsulated with a protective vinyl coating that helps keep corrosion out and durability locked in.

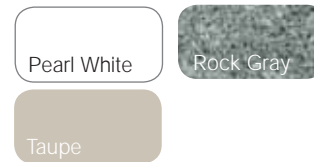
| | Outdoor Pool | | Indoor Pool | |
|-----------------|-------------------------|------------------|-------------------------|------------------|
| | Traditional Chlorinator | Salt Chlorinator | Traditional Chlorinator | Salt Chlorinator |
| SealedSteel | • | • | • | • |
| Powder Coated | • | • | • | |
| Marine Grade | • | • | | |
| Stainless Steel | • | | | |

Proper care and maintenance can dramatically affect the lifespan of your rail products. Learn more about care and maintenance of these different types of rail finishes on page 142.

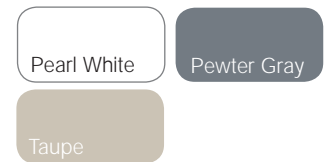
Aesthetics

Would you like your ladders and rails to blend into the surroundings? Powder coating and SealedSteel are both available in a range of colors to match your decking and other fixtures.

Powder Coated Colors



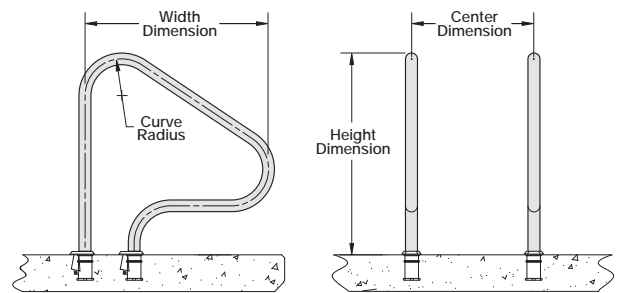
SealedSteel Colors



Actual product colors may vary

Getting the Right Fit

When measuring your current rail for a replacement, take the following measurements.



Download our rail identification guide at www.srsmith.com/railid

Whether you need a minor variation to one of our standard rail configurations shown in this catalog, or something completely custom, visit our online rail configurator for help:

www.srsmith.com/customrails



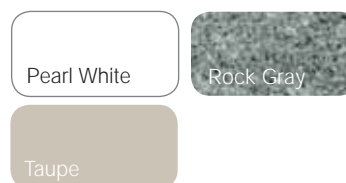
Custom Rails & Ladders

Custom Rails – Any size or shape

| Wall Thickness | 304 Stainless Steel | 316L Stainless Steel |
|----------------|--------------------------------|-------------------------------|
| .049" | 1.625" OD and 1.90" OD | 1.625" OD and 1.90" OD |
| .065" | 1.50" OD, 1.625" OD & 1.90" OD | 1.50" OD 1.625" OD & 1.90" OD |
| .109" | 1.90" OD | 1.50" OD & 1.90" OD |
| .120" | 1.50" OD | 1.50" OD |
| .145" | 1.90" OD | 1.90" OD |

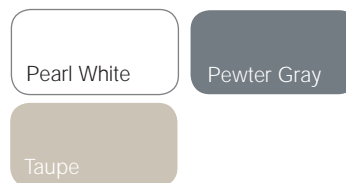
Powder Coating

- Protects against corrosion and chemicals in indoor facilities.
- Highest quality finish—scratch and high impact resistant.
- Protects against UV rays in outdoor applications.
- Easy to clean, low maintenance.



SealedSteel Vinyl Coating

- Virtually eliminates corrosion in extreme pool environments
- Stays cool to the touch—even in extreme temperatures
- WetTraction grip offers increased traction when wet



Actual product colors may vary

SealedSteel™

Vinyl Coated Ladders & Rails

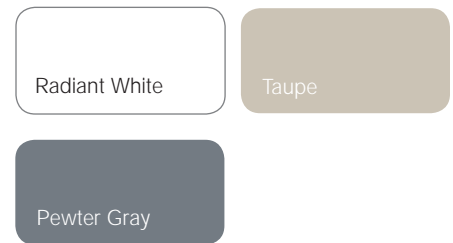
The #1 Choice for use in salt chlorinator pools!

S.R.Smith's new SealedSteel™ Rail line features the same high-quality steel rails you trust, fully encapsulated in our patent-pending StressLess™ finish (chemically-bonded vinyl coating.)

- Eliminates corrosion in extreme pool environments
- Stays cool to the touch — even in extreme temperatures
- WetTraction™ grip offers increased traction when wet. No more slippery rails – increasing pool safety



| Model | Description | Shipping Wt. | L | W | H |
|-----------|---------------------------------------|--------------|-----|-----|----|
| DMS-100A | Deck Mounted Stair Rails | 13 lbs. | 59" | 39" | 2" |
| DMS-101A | Deck Mounted Stair Rails | 13 lbs. | 59" | 39" | 2" |
| DMS-102A | Deck Mounted Stair Rails (.049" Wall) | 15 lbs. | 59" | 39" | 2" |
| DMS-103A | Deck Mounted Stair Rails (.049" Wall) | 14 lbs. | 59" | 39" | 2" |
| F4H-102 | Figure 4 Hand Rail (.049 Wall) –pair | 16 lbs. | 39" | 32" | 4" |
| VLLS-103E | 3-Step Ladder | 25 lbs. | 61" | 29" | 2" |
| 3HR | 3-Bend Handrails | | | | |



NOTE: Add -VW for White, -VG for Pewter Gray, -VT for Taupe
Part numbers include matching escutcheons

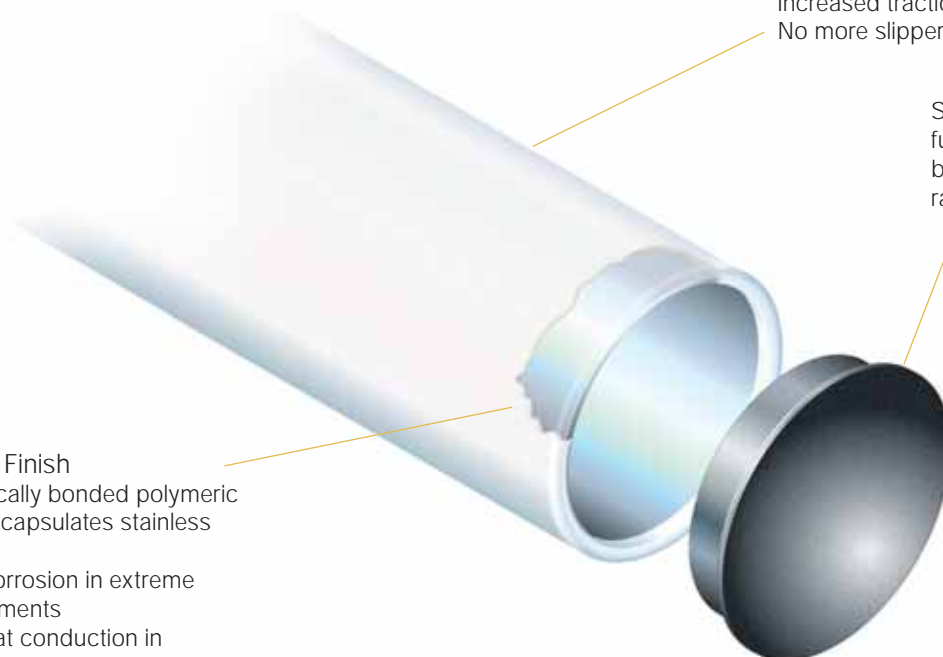
WetTraction™ Grip
Increased traction when wet
No more slippery rails!

Sealing Cap creates full encapsulation – No bonding required on rails. (shown pulled off)

StressLess™ Finish

Unique, chemically bonded polymeric coating fully encapsulates stainless steel tubing.

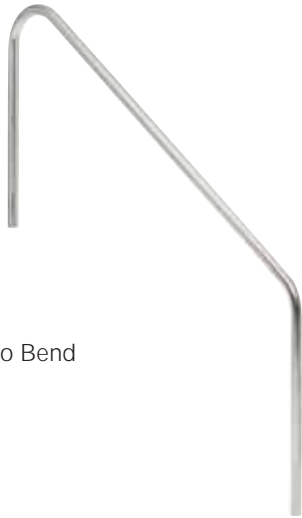
- Eliminates corrosion in extreme pool environments
- Reduces heat conduction in high temperatures
- Easy-to-clean with off-the-shelf cleaners



2-Bend & 3-Bend

- Tubing: 1.90" OD
- Wall Thickness: .049", .065"
- Type: 304, 316L* stainless steel
- Bends: 6" Radius
- Powder Coating & SealedSteel Available

Two Bend

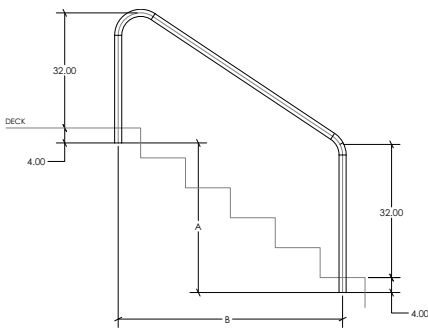


2-Bend

| Model # | Description | A | B | Shipping Wt. | L | W | H |
|---------|-------------|-----|-------|--------------|-----|-----|----|
| 2HR-4 | 4' 2-BEND | 26" | 4'-0" | 15 lbs. | 70" | 37" | 2" |
| 2HR-5 | 5' 2-BEND | 36" | 5'-0" | 25 lbs. | 82" | 37" | 2" |
| 2HR-6 | 6' 2-BEND | 46" | 6'-0" | 27 lbs. | 97" | 37" | 2" |

*Marine Grade, add -MG to part number when ordering. REQUIRED for Salt Pools.

Note: Anchor sockets and escutcheons are not included. See pages 122-125 for details. Add -1 to part number for extended length on pool (front) leg. Add -2 to part number for extended length on both legs. Add -3 to part number for extended length on deck (back) leg. Add -.049 for .049", -.065 for .065" wall thickness. Example: 2HR-5-049 5' 2-bend rail, .049 wall. For powder coated add -RG for Rock Gray, -PW for White, or -TP for Taupe to the part number when ordering. For SealedSteel add -VW for White, -VG for Pewter Gray, or -VT for Taupe to the part number when ordering.



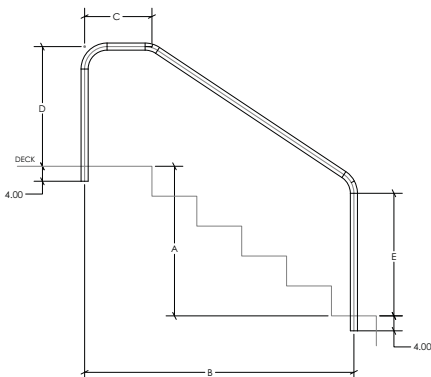
3-Bend

| Model # | Description | A | B | C | D | E | Shipping Wt. | L | W | H |
|---------|-------------|-----|-------|-----|-----|-----|--------------|------|-----|----|
| 3HR-4 | 4' 3-BEND | 26" | 4'-0" | 18" | 32" | 26" | 17 lbs. | 60" | 42" | 2" |
| 3HR-5 | 5' 3-BEND | 36" | 5'-0" | 18" | 32" | 26" | 22 lbs. | 72" | 42" | 2" |
| 3HR-5.5 | 5'6" 3-BEND | 32" | 5'-6" | 18" | 32" | 29" | 25 lbs. | 78" | 42" | 2" |
| 3HR-6 | 6' 3-BEND | 46" | 6'-0" | 18" | 32" | 26" | 27 lbs. | 84" | 42" | 2" |
| 3HR-6.5 | 6'6" 3-BEND | 32" | 6'-6" | 35" | 34" | 29" | 30 lbs. | 90" | 42" | 2" |
| 3HR-7 | 7' 3-BEND | 36" | 7'-0" | 40" | 30" | 29" | 32 lbs. | 94" | 42" | 2" |
| 3HR-8 | 8' 3-BEND | 30" | 8'-0" | 53" | 34" | 33" | 37 lbs. | 105" | 42" | 2" |

*Marine Grade, add -MG to part number when ordering. REQUIRED for Salt Pools.

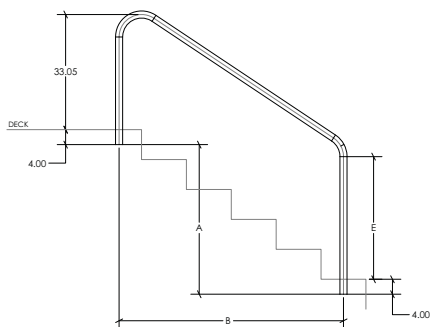
Note: Anchor sockets and escutcheons are not included. See pages 122-125 for details. Add -1 to part number for extended length on pool (front) leg. Add -2 to part number for extended length on both legs. Add -3 to part number for extended length on deck (back) leg. Add -.049 for .049", -.065 for .065" wall thickness. Example: 2HR-5-049 5' 2-bend rail, .049 wall. For powder coated add -RG for Rock Gray, -PW for White, or -TP for Taupe to the part number when ordering. For SealedSteel add -VW for White, -VG for Pewter Gray, or -VT for Taupe to the part number when ordering.

Three Bend

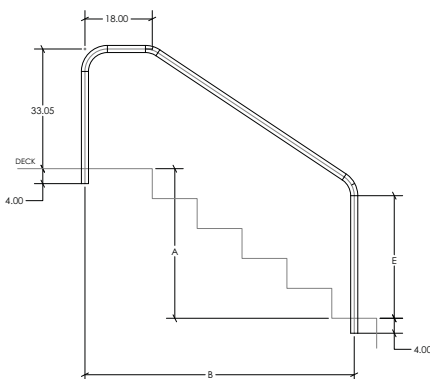


Heavy Duty Hand Rails

Heavy Duty Two Bend



Heavy Duty Three Bend



- Tubing: 1.90" OD or 1.50" OD
- Wall Thickness: .065", .109", or .145"
- Type: 304 stainless steel

| Item No. | Description | Shipping Wt. | L | W | H |
|----------|-------------------------------------|--------------|------|-----|----|
| 10145 | 4 foot 2-bend, .065" wall, 1.90" OD | 14 lbs. | 70" | 37" | 2" |
| 10146 | 4 foot 2-bend, .109" wall, 1.90" OD | 23 lbs. | 70" | 37" | 2" |
| 12047 | 4 foot 2-bend, .120" wall, 1.50" OD | 17 lbs. | 70" | 37" | 2" |
| 10147 | 4 foot 2-bend, .145" wall, 1.90" OD | 30 lbs. | 70" | 37" | 2" |
| 10148 | 5 foot 2-bend, .065" wall, 1.90" OD | 16 lbs. | 82" | 37" | 2" |
| 10149 | 5 foot 2-bend, .109" wall, 1.90" OD | 25 lbs. | 82" | 37" | 2" |
| 12048 | 5 foot 2-bend, .120" wall, 1.50" OD | 18 lbs. | 82" | 37" | 2" |
| 10150 | 5 foot 2-bend, .145" wall, 1.90" OD | 33 lbs. | 82" | 37" | 2" |
| 10151 | 6 foot 2-bend, .065" wall, 1.90" OD | 17 lbs. | 106" | 37" | 2" |
| 10152 | 6 foot 2-bend, .109" wall, 1.90" OD | 28 lbs. | 106" | 37" | 2" |
| 12049 | 6 Foot 2-bend, .120" wall, 1.50" OD | 20 lbs. | 106" | 37" | 2" |
| 10153 | 6 foot 2-Bend, .145" wall, 1.90" OD | 36 lbs. | 106" | 37" | 2" |
| 10154 | 4 foot 3-bend, .065" wall, 1.90" OD | 14 lbs. | 60" | 42" | 2" |
| 10155 | 4 foot 3-bend, .109" wall, 1.90" OD | 23 lbs. | 60" | 42" | 2" |
| 10156 | 4 foot 3-bend, .145" wall, 1.90" OD | 30 lbs. | 60" | 42" | 2" |
| 12050 | 4 foot 3-bend, .120" wall, 1.50" OD | 17 lbs. | 60" | 42" | 2" |
| 10157 | 5 foot 3-bend, .065" wall, 1.90" OD | 16 lbs. | 72" | 42" | 2" |
| 10158 | 5 foot 3-bend, .109" wall, 1.90" OD | 25 lbs. | 72" | 42" | 2" |
| 12051 | 5 foot 3-bend, .120" wall, 1.50" OD | 18 lbs. | 72" | 42" | 2" |
| 10159 | 5 foot 3-bend, .145" wall, 1.90" OD | 33 lbs. | 72" | 42" | 2" |
| 10160 | 6 foot 3-bend, .065" wall, 1.90" OD | 17 lbs. | 84" | 42" | 2" |
| 10161 | 6 foot 3-bend, .109" wall, 1.90" OD | 28 lbs. | 84" | 42" | 2" |
| 12052 | 6 foot 3-bend, .120" wall, 1.50" OD | 20 lbs. | 84" | 42" | 2" |
| 10162 | 6 foot 3-bend, .145" wall, 1.90" OD | 36 lbs. | 84" | 42" | 2" |

2-Bend Heavy Duty

| | | | |
|----------------|-------|-------|----------|
| 10145 – 10147: | A=26" | B=48" | E=33.55" |
| 10148 – 10150: | A=34" | B=60" | E=33.85" |
| 10151 – 10153: | A=42" | B=72" | E=34.05" |

3-Bend Heavy Duty

| | | | |
|----------------|-------|-------|----------|
| 10154 – 10156: | A=26" | B=48" | E=30.31" |
| 10157 – 10159: | A=34" | B=60" | E=30.19" |
| 10160 – 10162: | A=42" | B=72" | E=30.12" |

Anchors and escutcheons sold separately. See pages 128-131 for details.

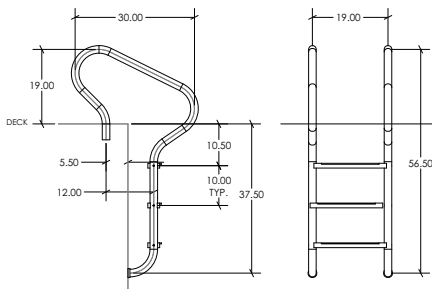


Camelback Ladder

- Tubing: 1.90" OD
- Wall Thickness: .049"
- Type: 304 stainless steel
- Bends: All 6" Radius
- Elite model: LTDF-103 treads, Econoline model: LTDF-101 treads

| Econoline Model | Shipping Wt. | Elite Model | Shipping Wt. | Description | L | W | H |
|-----------------|--------------|-------------|--------------|---------------|-----|-----|----|
| CBL-103E | 27 lbs. | CBL-103S | 32 lbs. | 3-step ladder | 59" | 39" | 2" |

NOTES: Frames extend 6 1/2" from the pool wall. Frame is secured to pool deck with two anchor sockets 3 1/2" in from the pool wall on 20" centers (elite), or 19" centers (econoline). Lower end of frame is bent to meet pool wall and fitted with two white rubber bumpers.



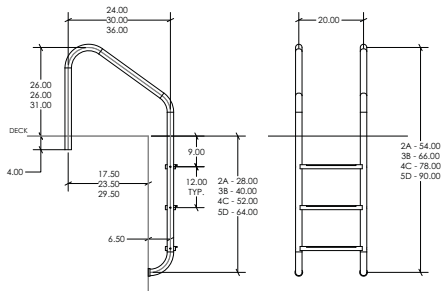
Commercial Ladder

- Tubing: 1.90" OD (1.50" OD available upon request)
- Wall Thickness: .065"
- Type: 304, 316L* stainless steel
- Bends: 6" radius
- Stainless steel, LTDF-103 treads

| Model No. | Description |
|--------------|---|
| LF-X-2A | 2-Step Ladder |
| LF-X-3B | 3-Step Ladder |
| LF-X-4C | 4-Step Ladder |
| LF-X-5D | 5-Step Ladder |
| LFB-X-2A | 2-Step Ladder with cross brace |
| LFB-X-3B | 3-Step Ladder with cross brace |
| LFB-X-4C | 4-Step Ladder with cross brace |
| LFB-X-5D | 5-Step Ladder with cross brace |
| LFB-36-3B-12 | Special 36" crossbrace 3-step ladder w/ 12" extended length |

Key to order: X=Width dimension: 24 for 24" ladder, 30 for 30" ladder, or 36 for 36" ladder
Safety step kits also available. Add a T to the end of the part number when ordering.

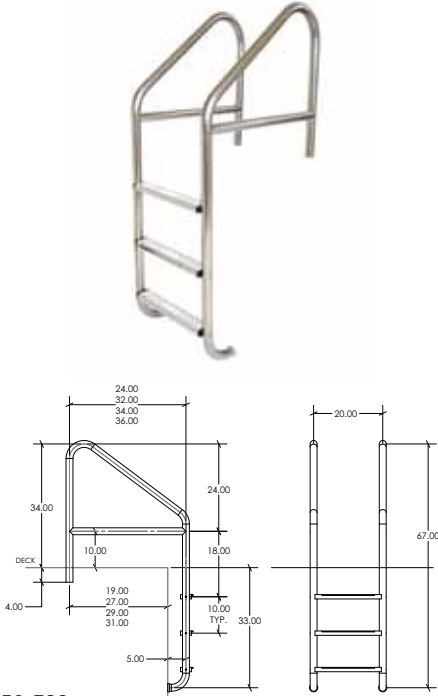
*Marine Grade, add -MG to part number when ordering. REQUIRED for Salt Pools.
NOTES: Frames extend 6 1/2" from the pool wall. Frame is secured to the pool deck with two anchor sockets on 20" centers. Lower end of frame is bent to meet pool wall and fitted with two white rubber bumpers.



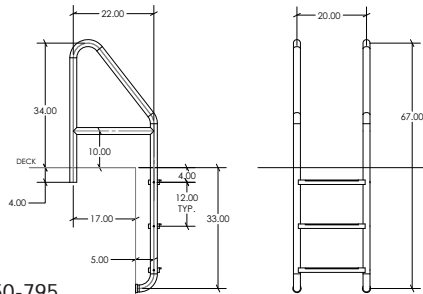
Anchors and escutcheons sold separately. See pages 128-131 for details.

Dade County Ladder

- Tubing: 1.90" OD
- Wall Thickness: .049"
- Type: 304, 316L* stainless steel
- Bends: 4" radius
- Elite model: LTDF-103 treads, Econoline model: LTDF-101 treads



50-792
50-791 32" wide,
has no crossbrace



50-795
50-794 has no
crossbrace

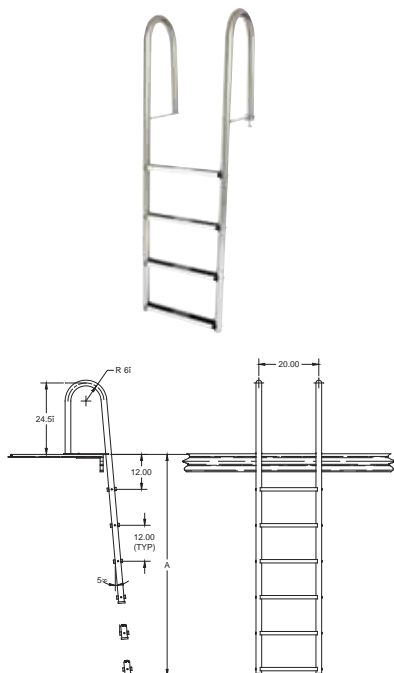
| Econoline Model | Shipping Wt. | Elite Model | Shipping Wt. | Description | L | W | H |
|-----------------|--------------|-------------|--------------|--|-------|-----|------|
| 50-795E | 35 lbs. | 50-795S | 36 lbs. | Dade County Ladder + cross brace | 71" | 29" | 2" |
| 50-794E | 21 lbs. | 50-794S | 24 lbs. | Dade County Ladder | 71" | 29" | 2" |
| 50-791E | 25 lbs. | 50-791S | 27 lbs. | Florida Roll Out Ladder | 78" | 41" | 2" |
| 50-792E-30 | 34 lbs. | 50-792S-30 | 36 lbs. | Dade County/Florida Roll Out + cross brace | 77.5" | 42" | 2.5" |
| | | 50-792S-32 | 37 lbs. | Florida Roll Out Ladder + cross brace | 77.5" | 42" | 2.5" |
| 50-792E-34 | 36 lbs. | 50-792S-34 | 38 lbs. | Dade County/Florida Roll Out + cross brace | 77.5" | 42" | 2.5" |
| 50-792E-36 | 36 lbs. | 50-792S-36 | 42 lbs. | Dade County/Florida Roll Out + cross brace | 77.5" | 42" | 2.5" |

*Marine Grade, add -MG to part number when ordering. REQUIRED for Salt Pools.

Note: Frames extend 4 1/2" from the pool wall. Frame is secured to the pool deck with two anchor sockets on 20" centers (elite), or 19" centers (econoline). Lower end of frame is bent to meet pool wall and fitted with two white rubber bumpers.

Dock Ladder

- Tubing: 1.90" OD
- Wall Thickness: .065"
- Type: 304, 316L* stainless steel



| Model No. | Description | Shipping Wt. | L | W | H |
|-----------|---------------|--------------|-----|-----|----|
| LLS-4 | 4-Step Ladder | 60 lbs. | 82" | 28" | 2" |
| LLS-5 | 5-Step Ladder | 65 lbs. | 90" | 28" | 2" |
| LLS-6 | 6-Step Ladder | 70 lbs. | 90" | 28" | 2" |

*Marine Grade, add -MG to part number when ordering. REQUIRED for Salt Pools.

NOTES: Mounting bolts are not included

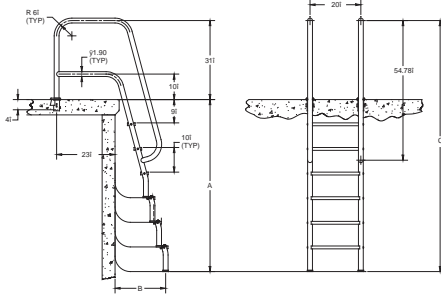


Easy-Out Therapeutic Ladder

- Tubing: 1.90" OD
- Wall Thickness: .065"
- Type: 304, 316L* stainless steel

| Model No. | Description | Shipping Wt. | L | W | H |
|-----------|---------------|--------------|------|-----|----|
| TL-3B | 3-Step Ladder | 35 lbs. | 77" | 41" | 4" |
| TL-4C | 4-Step Ladder | 41 lbs. | 82" | 41" | 4" |
| TL-5D | 5-Step Ladder | 47 lbs. | 92" | 41" | 4" |
| TL-6E | 6-Step Ladder | 55 lbs. | 105" | 41" | 4" |

*Marine Grade, add -MG to part number when ordering. REQUIRED for Salt Pools.

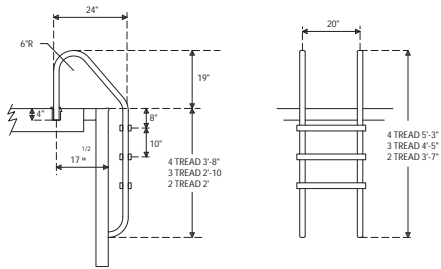


Economy Ladder

- Tubing: 1.90" OD
- Type: 304, 316L* stainless steel
- Bends: All 6" Radius
- Powder Coating and SealedSteel Available
- Elite model: LTDF-103 treads, Econoline model: LTDF-101 treads

| Econoline Model | Shipping Wt. | Elite Model | Shipping Wt. | Description | L | W | H |
|-----------------|--------------|-------------|--------------|---------------|-----|-----|----|
| VLLS-102E | 21 lbs. | VLLS-102S | 23 lbs. | 2-step ladder | 61" | 29" | 2" |
| VLLS-103E | 23 lbs. | VLLS-103S | 25 lbs. | 3-step ladder | 61" | 29" | 2" |
| VLLS-104E | 24 lbs. | VLLS-104S | 27 lbs. | 4-step ladder | 66" | 29" | 2" |

*Marine Grade, add -MG to part number when ordering. REQUIRED for Salt Pools, or see SealedSteel, page 57.
 NOTES: Frames extend 6 1/2" from the pool wall. Also available in SealedSteel. Anchors must be set at 20" (elite), or 19" centers (econoline). Lower end of frame is bent to meet pool wall and fitted with two white rubber bumpers. For powder coated add -RG for Rock Gray, -PW for White, or -TP for Taupe to the part number when ordering. For SealedSteel add -VW for White, -VG for Pewter Gray, or -VT for Taupe to the part number when ordering.



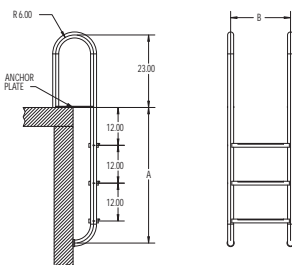
On-ground Ladder

- Tubing: 1.90" OD
- Wall thickness: .049"
- Type: 304, 316L* stainless steel
- Bends: All 6" Radius
- Elite model: LTDF-103 treads, Econoline model: LTDF-101 treads

| Econoline | Elite | Description | Shipping Wt. | L | W | H |
|------------|------------|----------------------------------|--------------|-----|-----|----|
| OGL-3E-100 | OGL-3S-100 | 3-step ladder (66" total height) | 27 lbs. | 69" | 16" | 2" |
| OGL-3E-101 | OGL-3S-101 | 3-step ladder (61" total height) | 27 lbs. | 69" | 16" | 2" |

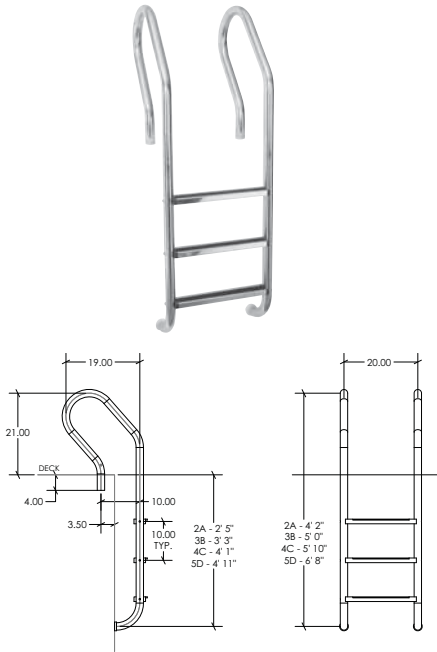
*Marine Grade, add -MG to part number when ordering. REQUIRED for Salt Pools.
 NOTES: Frames extend 6 1/2" from the pool wall. For plastic steps, anchors must be set at 20" (elite), or 19" centers (econoline). Lower end of frame is bent to meet pool wall and fitted with two white rubber bumpers.

Anchors and escutcheons sold separately. See pages 128-131 for details.



Parallel-Look Ladder

- Tubing: 1.90" OD
- Wall Thickness: .049"
- Type: 304, 316L* stainless steel
- Bends: All 6" Radius
- Elite model: LTDF-103 treads, Econoline model: LTDF-101 treads

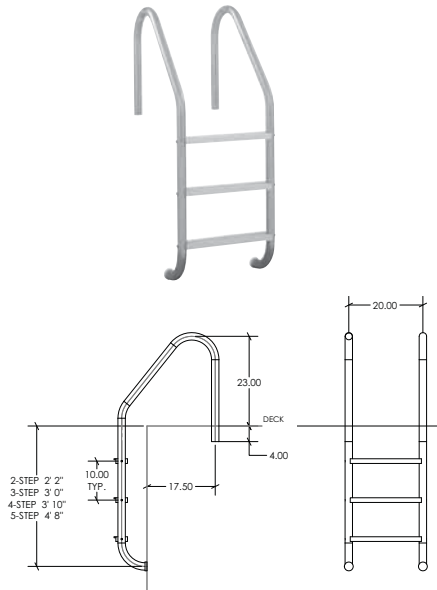


| Econoline Model | Shipping Wt. | Elite Model | Shipping Wt. | Description | L | WH |
|-----------------|--------------|-------------|--------------|-------------|-----|--------|
| PLL-12E-2A | 22 lbs. | PLL-12S-2A | 22 lbs. | 2-step | 60" | 28" 2" |
| PLL-12E-3B | 24 lbs. | PLL-12S-3B | 24 lbs. | 3-step | 65" | 28" 2" |
| PLL-12E-4C | 28 lbs. | PLL-12S-4C | 28 lbs. | 4-step | 82" | 28" 2" |
| PLL-12E-5D | 31 lbs. | PLL-12S-5D | 31 lbs. | 5-step | 90" | 28" 2" |

*Marine Grade, Add -MG to part number when ordering. REQUIRED for Salt Pools.
 NOTES: Frames extend 6 1/2" from the pool wall. Frame is secured to pool deck with two anchor sockets 3 1/2" in from the pool wall on 20" centers (elite), or 19" centers (econoline). Lower end of frame is bent to meet pool wall and fitted with two white rubber bumpers.

Residential Ladder

- Tubing: 1.90" OD
- Wall Thickness: .049"
- Type: 304, 316L* stainless steel
- Bends: 6" Radius
- Elite model: LTDF-103 treads, Econoline model: LTDF-101 treads

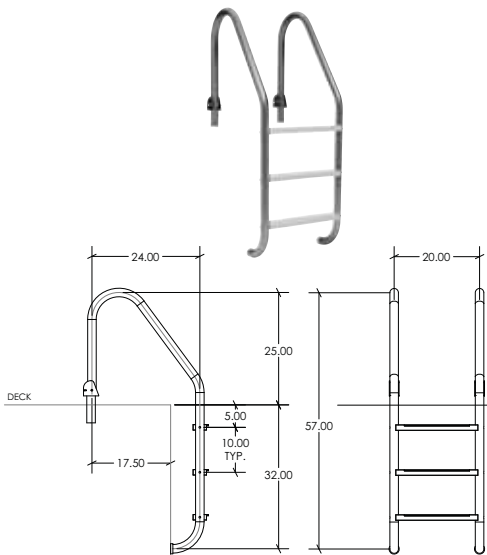


| Econoline Model | Shipping Wt. | Elite Model | Shipping Wt. | Description | L | WH |
|-----------------|--------------|-------------|--------------|---------------|-----|--------|
| RLF-24E-2A | 21 lbs. | RLF-24S-2A | 22 lbs. | 2-step ladder | 60" | 28" 2" |
| RLF-24E-3B | 24 lbs. | RLF-24S-3B | 25 lbs. | 3-step ladder | 65" | 28" 2" |
| RLF-24E-4C | 29 lbs. | RLF-24S-4C | 30 lbs. | 4-step ladder | 82" | 28" 2" |
| RLF-24E-5D | 32 lbs. | RLF-24S-5D | 33 lbs. | 5-step ladder | 90" | 28" 2" |

*Marine Grade, add -MG to part number when ordering. REQUIRED for Salt Pools.
 Note: Frames extend 6 1/2" from the pool wall. Frame is secured to pool deck with two anchor sockets on 20" centers (elite), or 19" centers (econoline). Lower end of frame is bent to meet pool wall and fitted with two white rubber bumpers.

Snap-lok Ladder

- Tubing: 1.90" OD
- Wall thickness: .049"
- Type: 304, 316L* stainless steel
- Bends: All 6" Radius
- Stainless steel hinge brackets are bolted to ladder frames with stainless steel bolts and acorn nuts.
- Elite model: LTDF-103 treads, Econoline model: LTDF-101 treads



| Econoline | Shipping Wt. | Elite | Shipping Wt. | Description | L | W | H |
|------------|--------------|------------|--------------|---------------|-----|-----|----|
| SLF-24E-3B | 24 lbs. | SLF-24S-3B | 25 lbs. | 3-step ladder | 61" | 29" | 2" |

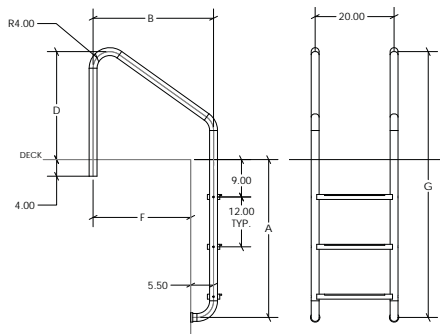
*Marine Grade, add -MG to part number when ordering. REQUIRED for Salt Pools.
 Note: Frames extend 6 1/2" from the pool wall. Frame is secured to pool deck with two anchor sockets on 20" centers (elite), or 19" centers (econoline). Lower end of frame is bent to meet pool wall and fitted with two white rubber bumpers.



Plastic Treads



Stainless Treads



plastic

| MODEL NUMBER | D | B | A | F | G |
|----------------|-------|-------|-------|-------|-------|
| 10001 TO 10003 | 26.00 | 23.00 | 28.00 | 17.50 | 54.00 |
| 10004 TO 10006 | 26.00 | 23.00 | 40.00 | 17.50 | 66.00 |
| 10007 TO 10009 | 26.00 | 23.00 | 52.00 | 17.50 | 78.00 |
| 10010 TO 10012 | 26.00 | 23.00 | 64.00 | 17.50 | 90.00 |
| 10013 TO 10015 | 26.00 | 29.00 | 28.00 | 23.50 | 54.00 |
| 10016 TO 10018 | 26.00 | 29.00 | 40.00 | 23.50 | 66.00 |
| 10019 TO 10021 | 26.00 | 29.00 | 52.00 | 23.50 | 78.00 |
| 10022 TO 10024 | 26.00 | 29.00 | 64.00 | 23.50 | 90.00 |
| 10025 TO 10027 | 31.00 | 35.00 | 28.00 | 29.50 | 59.00 |
| 10028 TO 10030 | 31.00 | 35.00 | 40.00 | 29.50 | 71.00 |
| 10031 TO 10033 | 31.00 | 35.00 | 52.00 | 29.50 | 83.00 |
| 10034 TO 10036 | 31.00 | 35.00 | 64.00 | 29.50 | 95.00 |

stainless

| MODEL NUMBER | D | B | A | F | G |
|----------------|-------|-------|-------|-------|-------|
| 10037 TO 10039 | 26.00 | 23.00 | 28.00 | 17.50 | 54.00 |
| 10040 TO 10042 | 26.00 | 23.00 | 40.00 | 17.50 | 66.00 |
| 10043 TO 10045 | 26.00 | 23.00 | 52.00 | 17.50 | 78.00 |
| 10046 TO 10048 | 26.00 | 23.00 | 64.00 | 17.50 | 90.00 |
| 10049 TO 10051 | 26.00 | 29.00 | 28.00 | 23.50 | 54.00 |
| 10052 TO 10054 | 26.00 | 29.00 | 40.00 | 23.50 | 66.00 |
| 10055 TO 10057 | 26.00 | 29.00 | 52.00 | 23.50 | 78.00 |
| 10058 TO 10060 | 26.00 | 29.00 | 64.00 | 23.50 | 90.00 |
| 10061 TO 10063 | 31.00 | 35.00 | 28.00 | 29.50 | 59.00 |
| 10064 TO 10066 | 31.00 | 35.00 | 40.00 | 29.50 | 71.00 |
| 10067 TO 10069 | 31.00 | 35.00 | 52.00 | 29.50 | 83.00 |
| 10070 TO 10072 | 31.00 | 35.00 | 64.00 | 29.50 | 95.00 |

Standard Plus Ladder

- Tubing: 1.90" OD or 1.50" OD (stainless treads only)
- Wall Thickness: .065", .109", or .145"
- Type: 304 stainless steel
- Bends: 4" radius
- Plastic (LDTF-106) or Stainless Steel (LTDF-103) tread

Plastic Treads

| Item No. | Description | Shipping Wt. | L | W | H |
|----------------|--|-----------------|-----|-----|----|
| 10001 to 10003 | 23" 2-Step Ladder with .065", .109", .145 tubing | 30 lbs., 42, 54 | 61" | 29" | 2" |
| 10004 to 10006 | 23" 3-Step Ladder with .065", .109", .145 tubing | 36 lbs., 50, 62 | 70" | 28" | 2" |
| 10007 to 10009 | 23" 4-Step Ladder with .065", .109", .145 tubing | 40 lbs., 58, 70 | 82" | 28" | 2" |
| 10010 to 10012 | 23" 5-Step Ladder with .065", .109", .145 tubing | 46 lbs., 64, 78 | 90" | 28" | 2" |
| 10013 to 10015 | 29" 2-Step Ladder with .065", .109", .145 tubing | 30 lbs., 44, 56 | 59" | 39" | 2" |
| 10016 to 10018 | 29" 3-Step Ladder with .065", .109", .145 tubing | 36 lbs., 52, 64 | 85" | 39" | 2" |
| 10019 to 10021 | 29" 4-Step Ladder with .065", .109", .145 tubing | 42 lbs., 58, 72 | 85" | 39" | 2" |
| 10022 to 10024 | 29" 5-Step Ladder with .065", .109", .145 tubing | 48 lbs., 66, 80 | 85" | 39" | 2" |
| 10025 to 10027 | 35" 2-Step Ladder with .065", .109", .145 tubing | 34 lbs., 48, 62 | 59" | 39" | 2" |
| 10028 to 10030 | 35" 3-Step Ladder with .065", .109", .145 tubing | 38 lbs., 56, 70 | 76" | 40" | 2" |
| 10031 to 10033 | 35" 4-Step Ladder with .065", .109", .145 tubing | 44 lbs., 64, 78 | 76" | 40" | 2" |
| 10034 to 10036 | 35" 5-Step Ladder with .065", .109", .145 tubing | 50 lbs., 70, 86 | 76" | 40" | 2" |

Stainless Steel Treads

| Item No. | Description | Shipping Wt. | L | W | H |
|----------------|--|-----------------|-----|-----|----|
| 10037 to 10039 | 23" 2-Step Ladder with .065", .109", .145 tubing | 30 lbs., 42, 54 | 61" | 29" | 2" |
| 10040 to 10042 | 23" 3-Step Ladder with .065", .109", .145 tubing | 36 lbs., 50, 62 | 70" | 28" | 2" |
| 10043 to 10045 | 23" 4-Step Ladder with .065", .109", .145 tubing | 40 lbs., 58, 70 | 82" | 28" | 2" |
| 10046 to 10048 | 23" 5-Step Ladder with .065", .109", .145 tubing | 46 lbs., 64, 78 | 90" | 28" | 2" |
| 10049 to 10051 | 29" 2-Step Ladder with .065", .109", .145 tubing | 30 lbs., 44, 56 | 59" | 39" | 2" |
| 10052 to 10054 | 29" 3-Step Ladder with .065", .109", .145 tubing | 36 lbs., 52, 64 | 85" | 39" | 2" |
| 10055 to 10057 | 29" 4-Step Ladder with .065", .109", .145 tubing | 42 lbs., 58, 72 | 85" | 39" | 2" |
| 10058 to 10060 | 29" 5-Step Ladder with .065", .109", .145 tubing | 48 lbs., 66, 80 | 85" | 39" | 2" |
| 10061 to 10063 | 35" 2-Step Ladder with .065", .109", .145 tubing | 34 lbs., 48, 62 | 59" | 39" | 2" |
| 10064 to 10066 | 35" 3-Step Ladder with .065", .109", .145 tubing | 38 lbs., 56, 70 | 76" | 40" | 2" |
| 10067 to 10069 | 35" 4-Step Ladder with .065", .109", .145 tubing | 44 lbs., 64, 78 | 76" | 40" | 2" |
| 10070 to 10072 | 35" 5-Step Ladder with .065", .109", .145 tubing | 50 lbs., 70, 86 | 76" | 40" | 2" |

Note: Frames extend 4 1/2" from the pool wall. Frame is secured to the pool deck with two anchor sockets on 20" centers. Lower end of frame is bent to meet pool wall and fitted with two white rubber bumpers.

Anchors and escutcheons sold separately. See pages 128-131 for details.

Standard Crossbrace Plus Ladder

- Tubing: 1.90" OD or 1.50" OD OD (stainless treads only)
- Wall Thickness: .065", .109", or .145"
- Type: 304 stainless steel
- Bends: 4" radius
- Plastic (LTDF-106) or Stainless Steel (LTDF-103) tread



Plastic Treads



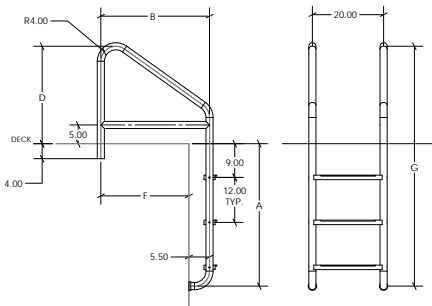
Stainless Treads

Plastic Treads

| Item No. | Description | Shipping Wt. | L | W | H |
|----------------|--|--------------|---------|-----|-------|
| 10073 to 10075 | 23" 2-Step Cross Brace Ladder w/.065", .109, .145 tubing | 36 lbs., | 50, 66 | 61" | 29"2" |
| 10076 to 10078 | 23" 3-Step Cross Brace Ladder w/.065", .109, .145 tubing | 42 lbs., | 58, 74 | 70" | 28"2" |
| 10079 to 10081 | 23" 4-Step Cross Brace Ladder w/.065", .109, .145 tubing | 46 lbs., | 66, 82 | 82" | 28"2" |
| 10082 to 10084 | 23" 5-Step Cross Brace Ladder w/.065", .109, .145 tubing | 52 lbs., | 72, 90 | 90" | 28"2" |
| 10085 to 10087 | 29" 2-Step Cross Brace Ladder w/.065", .109, .145 tubing | 38 lbs., | 56, 70 | 59" | 39"2" |
| 10088 to 10090 | 29" 3-Step Cross Brace Ladder w/.065", .109, .145 tubing | 44 lbs., | 64, 78 | 85" | 39"2" |
| 10091 to 10093 | 29" 4-Step Cross Brace Ladder w/.065", .109, .145 tubing | 50 lbs., | 70, 86 | 85" | 39"2" |
| 10094 to 10096 | 29" 5-Step Cross Brace Ladder w/.065", .109, .145 tubing | 56 lbs., | 78, 94 | 85" | 39"2" |
| 10097 to 10099 | 35" 2-Step Cross Brace Ladder w/.065", .109, .145 tubing | 42 lbs., | 62, 78 | 59" | 39"2" |
| 10100 to 10102 | 35" 3-Step Cross Brace Ladder w/.065", .109, .145 tubing | 46 lbs., | 70, 86 | 76" | 40"2" |
| 10103 to 10105 | 35" 4-Step Cross Brace Ladder w/.065", .109, .145 tubing | 52 lbs., | 78, 94 | 76" | 40"2" |
| 10106 to 10108 | 35" 5-Step Cross Brace Ladder w/.065", .109, .145 tubing | 58 lbs., | 84, 102 | 76" | 40"2" |

Stainless Steel Treads

| Item No. | Description | Shipping Wt. | L | W | H |
|----------------|--|--------------|---------|-----|-------|
| 10109 to 10111 | 23" 2-Step Cross Brace Ladder w/.065", .109, .145 tubing | 36 lbs., | 50, 66 | 61" | 29"2" |
| 10112 to 10114 | 23" 3-Step Cross Brace Ladder w/.065", .109, .145 tubing | 42 lbs., | 58, 74 | 70" | 28"2" |
| 10115 to 10117 | 23" 4-Step Cross Brace Ladder w/.065", .109, .145 tubing | 46 lbs., | 66, 82 | 82" | 28"2" |
| 10118 to 10120 | 23" 5-Step Cross Brace Ladder w/.065", .109, .145 tubing | 52 lbs., | 72, 90 | 90" | 28"2" |
| 10121 to 10123 | 29" 2-Step Cross Brace Ladder w/.065", .109, .145 tubing | 38 lbs., | 56, 70 | 59" | 39"2" |
| 10124 to 10126 | 29" 3-Step Cross Brace Ladder w/.065", .109, .145 tubing | 44 lbs., | 64, 78 | 85" | 39"2" |
| 10127 to 10129 | 29" 4-Step Cross Brace Ladder w/.065", .109, .145 tubing | 50 lbs., | 70, 86 | 85" | 39"2" |
| 10130 to 10132 | 29" 5-Step Cross Brace Ladder w/.065", .109, .145 tubing | 56 lbs., | 78, 94 | 85" | 39"2" |
| 10133 to 10135 | 35" 2-Step Cross Brace Ladder w/.065", .109, .145 tubing | 42 lbs., | 62, 78 | 59" | 39"2" |
| 10136 to 10138 | 35" 3-Step Cross Brace Ladder w/.065", .109, .145 tubing | 46 lbs., | 70, 86 | 76" | 40"2" |
| 10139 to 10141 | 35" 4-Step Cross Brace Ladder w/.065", .109, .145 tubing | 52 lbs., | 78, 94 | 76" | 40"2" |
| 10142 to 10144 | 35" 5-Step Cross Brace Ladder w/.065", .109, .145 tubing | 58 lbs., | 84, 102 | 76" | 40"2" |



plastic

| MODEL NUMBER | A | B | D | F | G |
|----------------|-------|-------|-------|-------|-------|
| 10073 TO 10075 | 28.00 | 23.00 | 26.00 | 17.50 | 54.00 |
| 10076 TO 10078 | 40.00 | 23.00 | 26.00 | 17.50 | 66.00 |
| 10079 TO 10081 | 52.00 | 23.00 | 26.00 | 17.50 | 78.00 |
| 10082 TO 10084 | 64.00 | 23.00 | 26.00 | 17.50 | 90.00 |
| 10085 TO 10087 | 28.00 | 29.00 | 26.00 | 23.50 | 54.00 |
| 10088 TO 10090 | 40.00 | 29.00 | 26.00 | 23.50 | 66.00 |
| 10091 TO 10093 | 52.00 | 29.00 | 26.00 | 23.50 | 78.00 |
| 10094 TO 10096 | 64.00 | 29.00 | 26.00 | 23.50 | 90.00 |
| 10097 TO 10099 | 28.00 | 35.00 | 31.00 | 29.50 | 59.00 |
| 10100 TO 10102 | 40.00 | 35.00 | 31.00 | 29.50 | 71.00 |
| 10103 TO 10105 | 52.00 | 35.00 | 31.00 | 29.50 | 83.00 |
| 10106 TO 10108 | 64.00 | 35.00 | 31.00 | 29.50 | 95.00 |

stainless

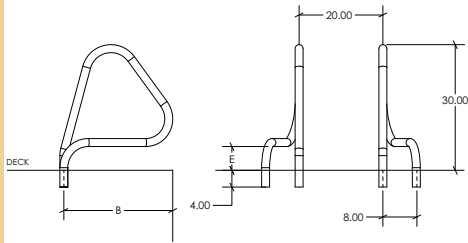
| MODEL NUMBER | A | B | D | F | G |
|----------------|-------|-------|-------|-------|-------|
| 10109 TO 10111 | 28.00 | 23.00 | 26.00 | 17.50 | 54.00 |
| 10112 TO 10114 | 40.00 | 23.00 | 26.00 | 17.50 | 66.00 |
| 10115 TO 10117 | 52.00 | 23.00 | 26.00 | 17.50 | 78.00 |
| 10118 TO 10120 | 64.00 | 23.00 | 26.00 | 17.50 | 90.00 |
| 10121 TO 10123 | 28.00 | 29.00 | 26.00 | 23.50 | 54.00 |
| 10124 TO 10126 | 40.00 | 29.00 | 26.00 | 23.50 | 66.00 |
| 10127 TO 10129 | 52.00 | 29.00 | 26.00 | 23.50 | 78.00 |
| 10130 TO 10132 | 64.00 | 29.00 | 26.00 | 23.50 | 90.00 |
| 10133 TO 10135 | 28.00 | 35.00 | 31.00 | 29.50 | 59.00 |
| 10136 TO 10138 | 40.00 | 35.00 | 31.00 | 29.50 | 71.00 |
| 10139 TO 10141 | 52.00 | 35.00 | 31.00 | 29.50 | 83.00 |
| 10142 TO 10144 | 64.00 | 35.00 | 31.00 | 29.50 | 95.00 |

Note: Frames extend 4 1/2" from the pool wall. Frame is secured to the pool deck with two anchor sockets on 20" centers. Lower end of frame is bent to meet pool wall and fitted with two white rubber bumpers



California Pacific Pretzel

- Tubing: 1.90" OD or 1.50" OD
- Wall Thickness: .109", or .145"
- Type: 304 stainless steel
- Sold as pairs

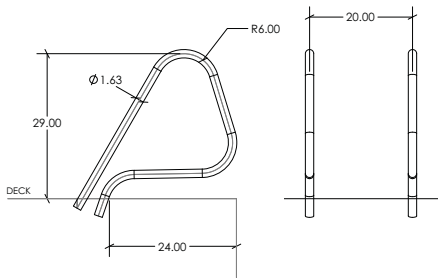


| Model No. | Description | B | Shipping Wt. | L | W | H |
|-----------|----------------------|-----|--------------|-----|-----|-----|
| 10175 | .109" wall, 1.90" OD | 26" | 34 lbs. | 30" | 34" | 22" |
| 10176 | .145" wall, 1.90" OD | 26" | 46 lbs. | 30" | 34" | 22" |
| 10177 | .109" wall, 1.90" OD | 30" | 38 lbs. | 30" | 36" | 22" |
| 10178 | .145" wall, 1.90" OD | 30" | 48 lbs. | 30" | 36" | 22" |
| 12057 | .120" wall, 1.50" OD | 26" | 34 lbs. | 30" | 34" | 22" |
| 12058 | .120" wall, 1.50" OD | 30" | 38 lbs. | 30" | 36" | 22" |



Commercial Ring

- Tubing: 1.625" OD
- Wall Thickness: .065"
- Type: 304 stainless steel
- Sold as pairs



| Model No. | Description | Shipping Wt. | L | W | H |
|-----------|----------------------------|-------------------|------------|-----------|----------|
| CRH-100 | Rails Only | 14 lbs. | 40" | 32" | 4" |
| CRH-100A | Rails with Aluminum Anchor | 16 lbs. (2 boxes) | 32" 24" | 22" 8" | 4" 5" |
| CRH-100B | Rails with Bronze Anchor | 18 lbs. (2 boxes) | 32" 24" | 22" 8" | 4" 5" |

Components

| | | | | | |
|----------|---------------------------------|---------|-----|----|----|
| 34-305A | Aluminum Anchor, Complete | 10 lbs. | 24" | 8" | 5" |
| 34-306A | Bronze Anchor, Complete | 13 lbs. | 24" | 8" | 5" |
| 8-415A | Gibraltar Wedge Retro Fit Kit | 1 lb. | 6" | 3" | 1" |
| 8-420 | Double Escutcheon Plate | 1 lb. | 6" | 3" | 1" |
| 8-420-CP | Double Escutcheon Plate, Chrome | 1 lb. | 6" | 3" | 1" |

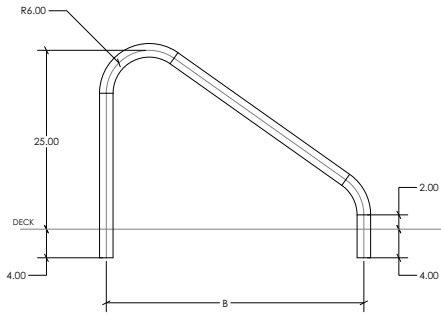


Deck Mounted Stair Rails

- Tubing: 1.90" OD
- Wall Thickness: .049"
- Type: 304, 316L* stainless steel
- Bends: 6" radius
- Sold as pairs

| Model No. | B | Shipping Wt. | L | W | H |
|-----------|-----|--------------|-----|-------|----|
| 50-901 | 30" | 18 lbs. | 40" | 32.5" | 4" |
| 50-770 | 32" | 18 lbs. | 40" | 32" | 4" |
| 50-902 | 36" | 15 lbs. | 40" | 62.5" | 4" |
| 50-766 | 40" | 18 lbs. | 40" | 32" | 4" |
| 50-903 | 42" | 18 lbs. | 59" | 39" | 2" |

*Marine Grade, add -MG to part number when ordering. REQUIRED for Salt Pools.
NOTE: Anchor sockets and escutcheons are not included. See pages 128-131 for details



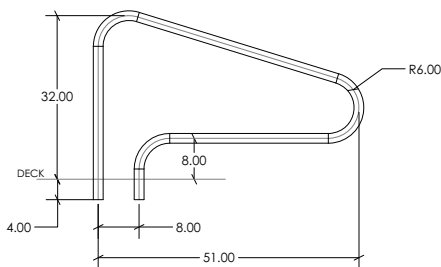
Hand & Stair Rails

DMS-100

- Tubing: 1.90" OD
- Wall Thickness: .049", .065"
- Type: 304, 316L* stainless steel
- Bends: All 6" Radius
- DMS-100A available in Powder Coating and SealedSteel

| Model # | Description | A | Shipping Wt. | L | W | H |
|----------|---------------------------------|-----|------------------|-----|-----|----|
| DMS-100A | 48" Center Grab Rail, .049" 51" | 51" | 13 lbs. — 17lbs. | 59" | 39" | 2" |
| DMS-100B | 48" Center Grab Rail, .065" 51" | 51" | 13 lbs. — 17lbs. | 59" | 39" | 2" |
| DMS-100S | 60" Center Grab Rail, .065" 60" | 60" | 18 lbs. | 59" | 39" | 2" |

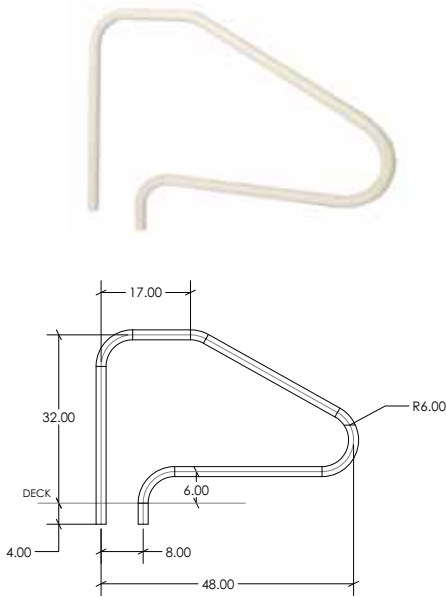
*Marine Grade, add -MG to part number when ordering. REQUIRED for Salt Pools.
Escutcheons are included when this rail is ordered in powder coating or SealedSteel.
For powder coated add -RG for Rock Gray, -PW for White, or -TP for Taupe to the part number when ordering.
For SealedSteel add -VW for White, -VG for Pewter Gray, or -VT for Taupe to the part number when ordering.



Hand & Stair Rails

DMS-101

- Tubing: 1.90" OD
- Wall Thickness: .049", .065"
- Type: 304, 316L* stainless steel
- Bends: All 6" Radius
- DMS-101A available in Powder Coating and SealedSteel

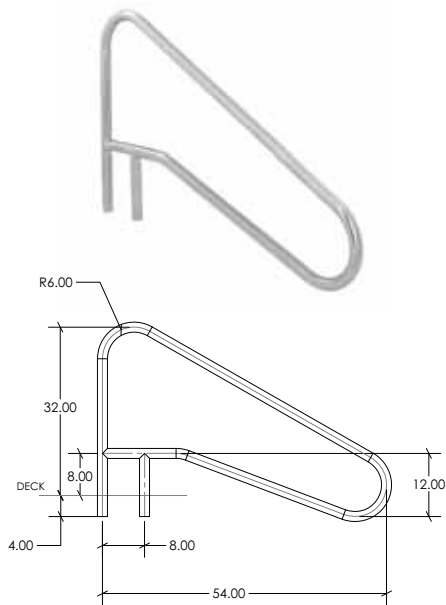


| Model # | Description | Shipping Wt. | L | W | H |
|----------|----------------------------|-------------------|-----|-----|----|
| DMS-101A | 48" Center Grab Rail, .049 | 13 lbs. — 16 lbs. | 59" | 39" | 2" |
| DMS-101B | 48" Center Grab Rail, .065 | 13 lbs. — 16 lbs. | 59" | 39" | 2" |

*Marine Grade, add -MG to part number when ordering. REQUIRED for Salt Pools.
Escutcheons are included when this rail is ordered in powder coating or SealedSteel.
For powder coated add -RG for Rock Gray, -PW for White, or -TP for Taupe to the part number when ordering.
For SealedSteel add -VW for White, -VG for Pewter Gray, or -VT for Taupe to the part number when ordering.

DMS-102

- Tubing: 1.90" OD
- Wall Thickness: .049", .065"
- Type: 304, 316L* stainless steel
- Bends: All 6" Radius
- DMS-102A available in Powder Coating and SealedSteel

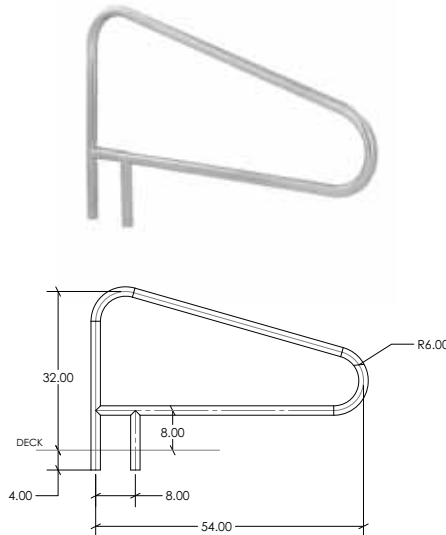


| Model # | Description | Shipping Wt. | L | W | H |
|----------|---|-------------------|-----|-----|----|
| DMS-102A | 54" Center Grab Rail, .049" | 15 lbs. — 19 lbs. | 59" | 39" | 2" |
| DMS-102B | 54" Center Grab Rail, .065" | 15 lbs. — 19 lbs. | 59" | 39" | 2" |
| DMS-102P | 54" Center Grab Rail, .049" w/welded mounting plate | 15 lbs. — 19 lbs. | 59" | 39" | 2" |

*Marine Grade, add -MG to part number when ordering. REQUIRED for Salt Pools.
Escutcheons are included when this rail is ordered in powder coating or SealedSteel.
For powder coated add -RG for Rock Gray, -PW for White, or -TP for Taupe to the part number when ordering.
For SealedSteel add -VW for White, -VG for Pewter Gray, or -VT for Taupe to the part number when ordering.

DMS-103

- Tubing: 1.90" OD
- Wall Thickness: .049", .065"
- Type: 304, 316L* stainless steel
- Bends: All 6" Radius
- DMS-103A available in SealedSteel



| Model # | Description | Shipping Wt. | L | W | H |
|----------|-----------------------------|-------------------|-----|-----|----|
| DMS-103A | 54" Center Grab Rail, .049" | 14 lbs. — 18 lbs. | 59" | 39" | 2" |
| DMS-103B | 54" Center Grab Rail, .065" | 14 lbs. — 18 lbs. | 59" | 39" | 2" |

*Marine Grade, add -MG to part number when ordering. REQUIRED for Salt Pools.
Escutcheons are included when this rail is ordered in SealedSteel.
For SealedSteel add -VW for White, -VG for Pewter Gray, or -VT for Taupe to the part number when ordering.

Anchors and escutcheons sold separately. See pages 128-131 for details.

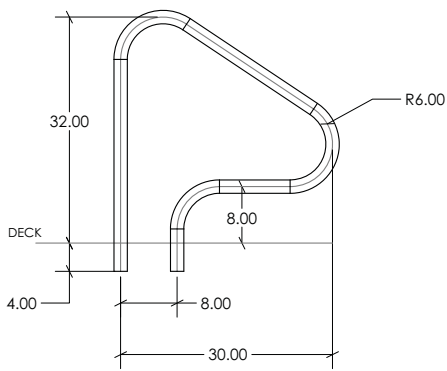
Figure 4



- Tubing: 1.90" OD and 1.50" OD
- Wall Thickness: .049", .065", .109", and .145"
- Type: 304, 316L* stainless steel
- Bends: All 6" Radius
- F4H-102 is available in Powder Coating and SealedSteel, F4H-101 is available in powder coating

| Model No. | Description | Shipping Wt. | L | W | H |
|-----------|--|--------------|-----|-----|----|
| F4H-100 | Figure 4 Hand Rail .065 Wall Thickness | 24 lbs. | 39" | 32" | 4" |
| F4H-101 | Figure 4 Hand Rail .049 Wall Thickness | 19 lbs. | 39" | 32" | 4" |
| F4H-102 | Figure 4 Hand Rail | 18 lbs. | 39" | 32" | 4" |
| 12053 | Figure 4 Handrail, 1.50" O.D. .120" wall | 24 lbs. | 39" | 32" | 4" |
| 10180 | Figure 4 Handrail, 1.90" O.D. x .109" wall | 38 lbs. | 39" | 32" | 4" |
| 10181 | Figure 4 Handrail, 1.90" O.D. x .145" wall | 48 lbs. | 39" | 32" | 4" |

F4H-100

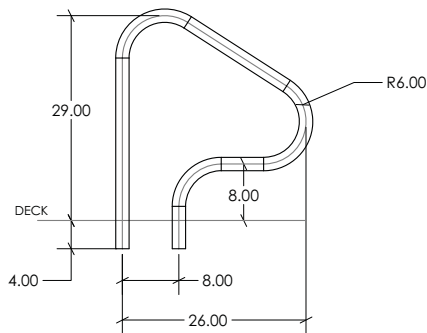


NOTES:

Also available with adjustable front leg. For powder coated add -RG for Rock Gray, -PW for White, or -TP for Taupe to the part number when ordering. For SealedSteel add -VW for White, -VG for Pewter Gray, or -VT for Taupe to the part number when ordering.

Marine Grade, add -MG to part number when ordering. REQUIRED for salt pools

F4H-102



Anchors and escutcheons sold separately. See pages 128-131 for details.

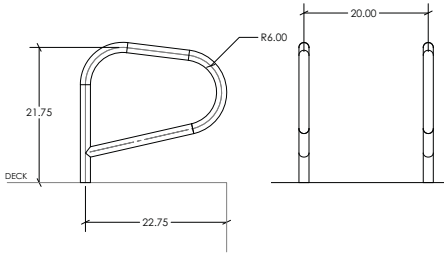
P Rails



- Tubing: 1.625" OD
- Wall Thickness: .049"
- Type: 304, 316L* stainless steel
- Bends: 6" radius

| Part Number | Description | Shipping Wt. | L | W | H |
|-------------|----------------------------|--------------|-----|-----|----|
| PR3-100A | Rail set w/Anchor Assembly | 16 lbs. | 32" | 22" | 4" |
| PR3-100B | Rail set only | 13 lbs. | 32" | 22" | 4" |
| PR3-101 | Anchor Assembly | 3 lbs. | 32" | 22" | 4" |

*Marine Grade, add -MG to part number when ordering. REQUIRED for Salt Pools.
NOTE: Anchor sockets and escutcheons are not included. See pages 128-131 for details

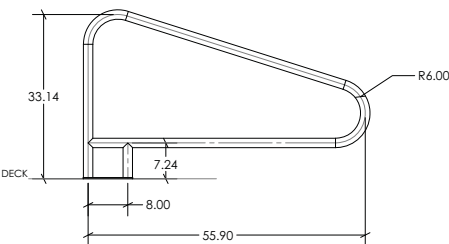
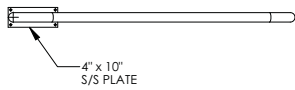


PR 500



- Tubing: 1.90" OD
- Wall Thickness: .049"
- Type: 304 stainless steel
- Bends: 6" radius
- Deck mounted rail, no anchor required
- The legs of the rail are surface welded to a mounting plate that has been drilled for 3/8" bolts (not included)

| Part Number | Shipping Wt. | L | W | H |
|-------------|--------------|-----|-----|----|
| PR-500 | 18 lbs. | 59" | 39" | 2" |

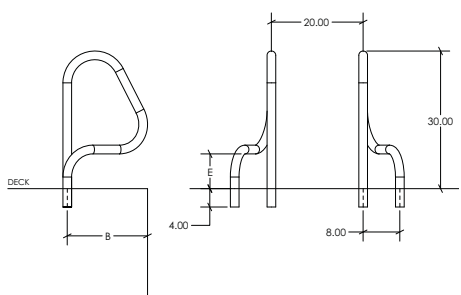


Pretzel



- Tubing: 1.90" OD or 1.50" OD
- Wall Thickness: .109", .145"
- Type: 304 stainless steel
- Sold as pairs

| Model No. | Description | B | E | Shipping Wt. | L | W | H |
|-----------|----------------------|-----|--------|--------------|-----|-----|-----|
| 10169 | .109" wall, 1.90" OD | 17" | 8.5" | 32 lbs. | 32" | 22" | 20" |
| 10170 | .145" wall, 1.90" OD | 17" | 8.5" | 40 lbs. | 32" | 22" | 20" |
| 10171 | .109" wall, 1.90" OD | 26" | 10.63" | 36 lbs. | 34" | 28" | 22" |
| 10172 | .145" wall, 1.90" OD | 26" | 10.63" | 46 lbs. | 34" | 28" | 22" |
| 10173 | .109" wall, 1.90" OD | 30" | 10.63" | 38 lbs. | 36" | 32" | 22" |
| 10174 | .145" wall, 1.90" OD | 30" | 10.63" | 50 lbs. | 36" | 32" | 22" |
| 12054 | .120" wall, 1.50" OD | 17" | 8.5" | 32 lbs. | 32" | 22" | 20" |
| 12055 | .120" wall, 1.50" OD | 26" | 10.63" | 36 lbs. | 34" | 28" | 22" |
| 12056 | .120" wall, 1.50" OD | 30" | 10.63" | 38 lbs. | 36" | 32" | 22" |



Residential Ring



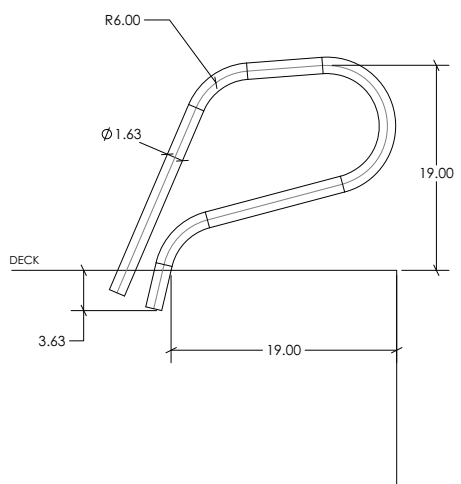
- Tubing: 1.625" OD
- Wall Thickness: .049"
- Type: 304, 316L* stainless steel
- Powder Coating available, escutcheons not included

| Model # | Description | Shipping Wt. | L | W | H |
|----------|------------------------------------|-------------------|------------|-----------|----------|
| RRH-100A | Pair of Rails with aluminum anchor | 16 lbs. (2 boxes) | 32" 24" | 22" 8" | 4" 5" |
| RRH-100B | Pair of Rails with bronze anchor | 18 lbs. (2 boxes) | 32" 24" | 22" 8" | 4" 5" |

Components

| | | | | | |
|----------|---------------------------------|---------|-----|----|----|
| 34-305A | Aluminum Anchor, Complete | 10 lbs. | 24" | 8" | 5" |
| 34-306A | Bronze Anchor, Complete | 13 lbs. | 24" | 8" | 5" |
| 8-415A | Gibraltar Wedge Retro Fit Kit | 1 lb. | 6" | 3" | 1" |
| 8-420 | Double Escutcheon Plate | 1 lb. | 6" | 3" | 1" |
| 8-420-CP | Double Escutcheon Plate, Chrome | 1 lb. | 6" | 3" | 1" |

*Marine Grade, add -MG to part number when ordering. REQUIRED for Salt Pools.
For powder coated add -RG for Rock Gray, -PW for White, or -TP for Taupe to the part number when ordering.



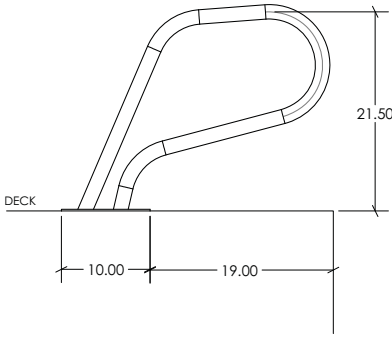
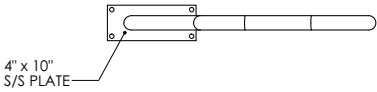
Spa Rail



- Tubing: 1.625" OD
- Wall Thickness: .049"
- Type: 304, 316L* stainless steel
- Bends: 6" radius
- Includes a 4" by 10" stainless steel plate drilled for 3/8" bolts, not included

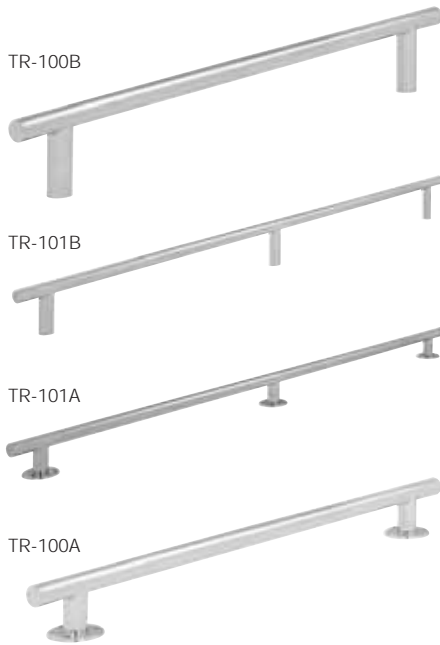
| Part Number | Shipping Wt. | L | W | H |
|-------------|--------------|-----|-----|----|
| SR-100 | 8.5 lbs. | 32" | 22" | 4" |

*Marine Grade, add -MG to part number when ordering. REQUIRED for Salt Pools.



Exercise, Training & Therapeutic Bars

Commercial



- Tubing: 1.90" OD (1.50" OD is also available)
- Wall Thickness: .065"
- Extend approximately 4" from the pool wall
- Available in 48" and 88" lengths, with or without flanges
- Custom lengths available

| Model No. | Description | Shipping Wt. | L | W | H |
|------------|--|--------------|-----|----|----|
| TR-100A | 48" with flanges and mounting hardware | 6 lbs. | 49" | 6" | 5" |
| TR-101A | 88" with flanges and mounting hardware | 8 lbs. | 89" | 5" | 5" |
| TR-100B | 48" bar with mounting posts | 12 lbs. | 49" | 6" | 5" |
| TR-101B | 88" bar with mounting posts | 14 lbs. | 89" | 9" | 2" |
| TR-100B-MG | 48" bar with mounting posts (316L) | | | | |
| TR-101B-MG | 88" bar with mounting posts (316L) | | | | |

Flanges include the mounting hardware

Exercise, Training & Therapeutic Bars

Residential



- Tubing: 1.90" OD
- Wall Thickness: .049"
- Extend approximately 6" from the pool wall
- Available in 2', 3', 4', and 5' lengths, with or without flanges

| Model No. | Description | Shipping Wt. | L | W | H |
|------------|--|--------------|-----|-----|----|
| EB-099A-MG | 2' Exercise Bar, w/flanges (316L) | 6 lbs. | 29" | 8" | 4" |
| EB-099B | 2' Exercise Bar, no flanges (304) | 6 lbs. | 29" | 8" | 4" |
| EB-099B-MG | 2' Exercise Bar, no flange (316L) | 6 lbs. | 29" | 8" | 4" |
| EB-100A-MG | 3' Exercise Bar, w/flanges (316L) | 7 lbs. | 38" | 12" | 3" |
| EB-100B | 3' Exercise Bar, no flanges (304) | 7 lbs. | 38" | 12" | 3" |
| EB-100B-MG | 3' Exercise Bar, no flange (316L) | 7 lbs. | 38" | 12" | 3" |
| EB-101A-MG | 4' Exercise Bar, w/flanges (316L) | 8 lbs. | 52" | 8" | 4" |
| EB-101B | 4' Exercise Bar, no flanges (304) | 8 lbs. | 52" | 8" | 4" |
| EB-101B-MG | 4' Exercise Bar, no flange (316L) | 8 lbs. | 52" | 8" | 4" |
| EB-102A-MG | 5' Exercise Bar, w/flanges (316L) | 9 lbs. | 68" | 8" | 4" |
| EB-102B | 5' Exercise Bar, no flanges (304) | 9 lbs. | 68" | 8" | 4" |
| EB-102B-MG | 5' Exercise Bar, no flange (316L) | 9 lbs. | 68" | 8" | 4" |
| 60-718 | Flange Anchor Stud Assembly (3/8"x 2 1/4") | 1 lb. | 3" | 3" | 4" |

Flanges include the mounting hardware

Stanchions

Backstroke and Recall Stanchions

- 4'6" or 8' heights
- Tubing: 1.9" OD
- Wall Thickness: .065", .109", .145"
- Type: 304 stainless steel

| Model No. | Description | Shipping Wt. | L | W | H |
|-----------|----------------------|--------------|-----|----|----|
| 10163 | 4'6" with .065" wall | 7 lbs. | 55" | 3" | 3" |
| 10164 | 4'6" with .109" wall | 11 lbs. | 55" | 3" | 3" |
| 10165 | 4'6" with .145" wall | 14 lbs. | 55" | 3" | 3" |
| 10166 | 8' with .065" wall | 12 lbs. | 97" | 3" | 3" |
| 10167 | 8' with .109" wall | 18 lbs. | 97" | 3" | 3" |
| 10168 | 8' with .145" wall | 23 lbs. | 97" | 3" | 3" |

Line and Crowd Control Stanchions

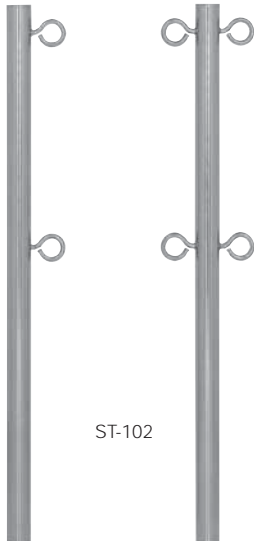
- 3' or 7' heights
- Tubing: 1.625" or 1.90" OD
- Wall Thickness: .065"
- Type: 304 stainless steel

| Model No. | Description | Shipping Wt. | L | W | H |
|-----------|--|--------------|-----|----|----|
| ST-100 | 3' 1.90" OD Stanchion with 1 eyebolt | 6 lbs. | 40" | 2" | 2" |
| ST-101 | 3' 1.90" OD Stanchion with 2 eyebolts | 6.5 lbs. | 40" | 2" | 2" |
| ST-102 | 3' 1.90" OD Stanchion with 4 eyebolts | 7 lbs. | 40" | 2" | 2" |
| A41783-0 | 3' 1.625" OD Stanchion with 1 eyebolt anchor, plug | 6 lbs. | 3" | 2" | 2" |
| A41789-0 | 7' 1.625" OD Stanchion with 1 eyebolt anchor, plug | 11 lbs. | 7" | 2" | 2" |
| A40698-0 | One anchor and plug only | 2 lbs. | 10" | 6" | 2" |
| 35-102 | Sliding Collar for 1.90" OD | 2 lbs. | 6" | 6" | 3" |



A41789-0

A41783-0



ST-101

ST-102

Anchors and escutcheons sold separately. See pages 128-131 for details.

custom rail request

Project Name

Distributor Name Contact Name

Address City State Zip

Phone Fax

Email

Application: Residential Commercial

Tubing: Outside Diameter 1.90" 1.50"

Wall Thickness .049" .065" .109" .120" .145"

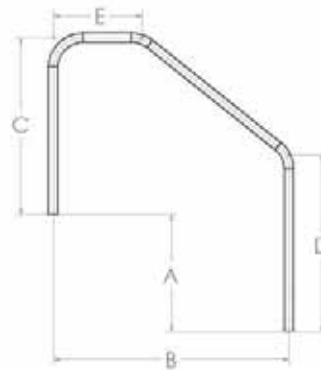
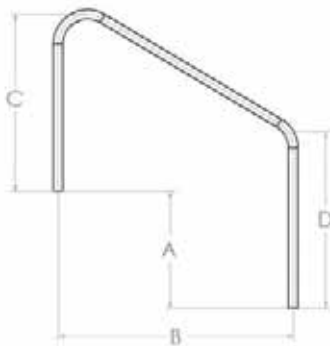
Grade 304 316L

Coating: Powder Coating* White Taupe Rock Gray

SealedSteel Vinyl* White Taupe Gray

*Escutcheons not included.

Requested Handrail Pattern: 2-Bend 3-Bend



- _____ A: The rise from the bottom of top leg to bottom of bottom leg
- _____ B: The horizontal length from center of one leg to center of other leg
- _____ C: Height of top leg (please include amount to be inserted into anchor)
- _____ D: Height of bottom leg (please include amount to be inserted into anchor)
- _____ E: Flat section at top of rail (for 3-Bend versions only)

Please fax to 615.325.0775 or email customrails@srsmith.com

toll free 877.325.0768
 fax 615.325.0775
 email djohnson@srsmith.com





Lifeguard Chairs

Lifeguard chairs are a very important, and necessary, piece of safety equipment for a commercial pool. There are several factors that influence what type and size of lifeguard chair you purchase. The needs of a small hotel pool might be very different from a large, municipal pool. Here are a few things to think about when selecting a lifeguard chair.

Deck Space

If you are short on deck space, permanent lifeguard chairs are great space savers and are ideal for general use. While most permanent lifeguard chairs feature ladders on the back, we also offer a model with the ladder on the side for situations that do not permit the lifeguard to mount from the back of the chair.

If you have a multi-use facility that requires you to have continually changing lifeguard stations, portable lifeguard chairs are easily moved by one person to the desired area of the pool. These lifeguard chairs are extremely versatile and ideal for water parks, hotels, resorts, athletic clubs and community pools.

Height

There are varying heights of lifeguard chairs, from our 30" Low Profile to our 8' Vista. Consult your inspector for local codes and guidelines to determine what is appropriate for your situation.

Safety Built In

All of our lifeguard chairs feature wide steps or treads and extra-large, sand treaded footboards so lifeguards have plenty of space to stand or sit while on duty.

Compliance

The Occupational Health and Safety Administration (OSHA) has outlined minimum requirements for lifeguard chairs in public pools. To comply with OSHA, a lifeguard chair must have rails to protect against falls and sufficient room for the lifeguard to ascend and descend from the chair.

Easy to Specify

Our lifeguard chairs are easy to add to your proposal, with complete written and drawn specifications by our engineers. Up-to-date specifications and AutoCAD files can be downloaded directly from our website – no waiting for an email response or a CD in the mail!

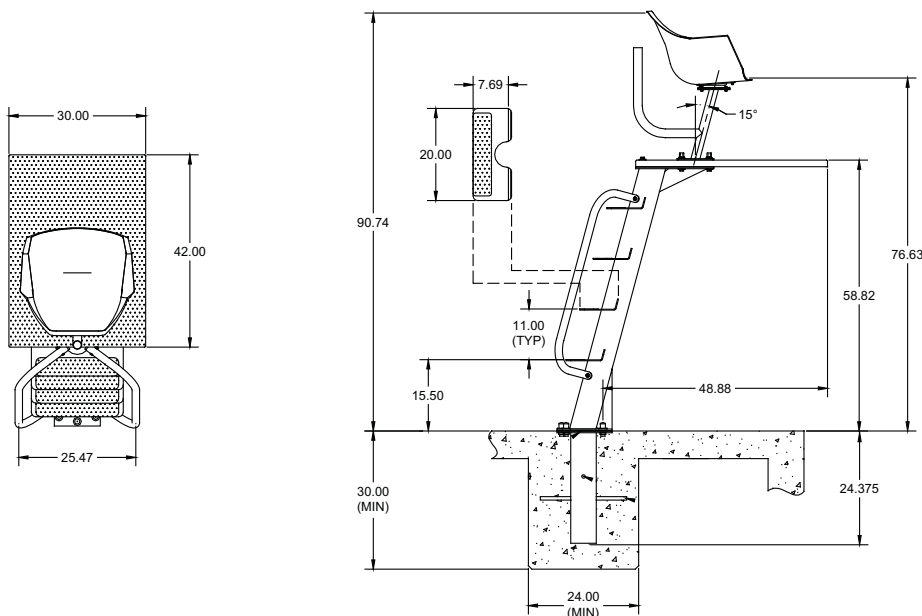
Cantilever – CAT-LG 101



- Permanent unit features a slim design that requires minimal deck space
- 6' tall at the seat
- Extended-size, acrylic observation platform features a non-slip sanded tread available in a variety of colors
- Seat swivels 360° for a full view of your facility at all angles
- Steel base is primed and ready for a paint topcoat

| Item No. | Description | Shipping Wt. | L | W | H | Footboard Color | |
|-------------------|--|--------------|----------|-------------------|-------------------|---------------------|-------------------------|
| COMPLETE | | | | | | | |
| CAT-LG-101 | 6' Cantilever | (3 boxes) | 315 lbs. | 65" 25" 24" | 21" 20" 22" | 25.5" 10" 21" | Radiant White |
| COMPONENTS | | | | | | | |
| 13-101 | Support Column | 167 lbs. | 65" | 25" | 21" | | Tread Color |
| 8-602 | Footboard | 29 lbs. | 25" | 24" | 3" | | Radiant White |
| 13-124 | Seat Assembly | 16 lbs. | 25" | 20" | 9" | | |
| 8-610 | Seat only | 8 lbs. | 24.5" | 21.25" | 21" | | Custom colors available |
| 13-104 | Handrails | 14 lbs. | 46" | 17.5" | 2.5" | | |
| 13-103 | Base Anchor Assembly | 46 lbs. | 25.5" | 13" | 12.5" | | |
| 13-119 | Seat with Swivel | 15 lbs. | 24" | 22" | 21" | | |
| CAT-LG-101A | Base Anchor Assembly, Handrails, Swivel Stand and Hardware | | | | | | |

NOTES: The Cantilever Lifeguard Chair comes primed only. We recommend a high quality acrylic urethane enamel for a durable finish.
Ships Class 125 from both Tennessee and Oregon warehouses



A40703-0 Swivel

Guardian – UMLS-101



- Permanent unit features a slim design that requires minimal deck space
- 6' tall at the seat
- Extended-size, acrylic observation platform features a non-slip sanded tread available in a variety of colors
- Seat swivels 360° for a full view of your facility at all angles
- Stainless steel base for added corrosion resistance

| Item No. | Description | Shipping Wt. | L | W | H |
|-------------------|------------------------------------|--------------|-------|--------|-----|
| COMPLETE | | | | | |
| UMLS-101 | 6' Guardian | 135 lbs. | 100" | 40" | 28" |
| COMPONENTS | | | | | |
| 13-111 | Seat with Swivel | 11 lbs. | 26" | 20" | 11" |
| 8-609 | Seat only | 6 lbs. | 10.5" | 19.25" | 26" |
| 13-109 | Swivel Stand with Umbrella Support | 16 lbs. | 25" | 20" | 9" |
| 8-706 | Footboard | 29 lbs. | 44" | 19" | 3" |
| S2470-102 | 1 Tread with Hardware | 2 lbs. | 28" | 17" | 5" |
| 13-116 | Lower Column Assembly | 15 lbs. | 53" | 8" | 8" |
| S2823-17 | Uni-Mount Jig Assembly | 12 lbs. | 40" | 32.5" | 4" |

Footboard Color

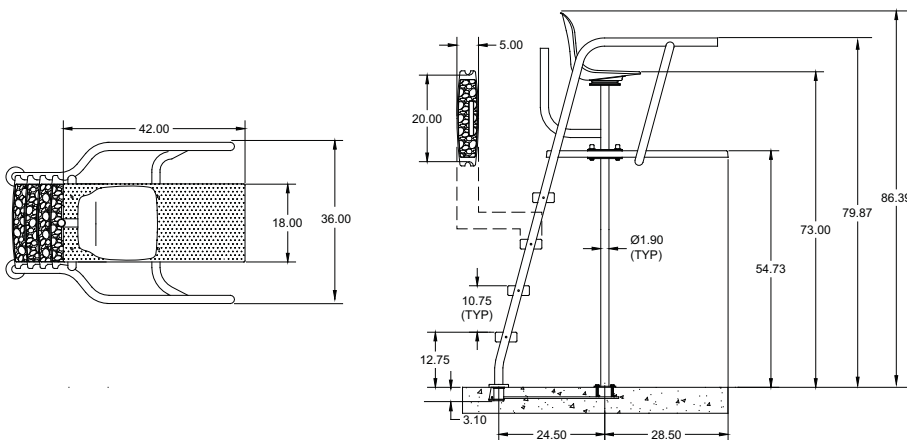
Radiant White

Tread Color

Radiant White

Custom colors available

NOTES: Available in both 304 polished stainless steel or optional 316L
Ships Class 250 from Tennessee warehouse only



A40703-0 Swivel

Institutional – ILGS 205



- Permanent unit also makes an ideal coaching or judging stand.
- 6' tall at the seat.
- Extended-size observation platform features a non-slip sanded tread for maximum lifeguard safety.
- Seat swivels 360° so you can quickly scan all angles of your facility
- Stainless steel base for added durability and corrosion resistance.

| Item No. | Description | Shipping Wt. | L | W | H |
|-------------------|--|--------------------|-------------------|-------------------|------------------|
| COMPLETE | | | | | |
| ILGS-205 | 6' Institutional | (3 boxes) 150 lbs. | 84" 25" 24" | 25" 20" 20" | 8" 11" 11" |
| COMPONENTS | | | | | |
| 13-111 | Seat with Swivel | 11 lbs. | 24" | 20" | 11" |
| 8-609 | Seat only | 6 lbs. | 10.5" | 19.25" | 26" |
| 13-109 | Swivel Stand with Umbrella Support | 16 lbs. | 25" | 20" | 9" |
| 8-720 | Footboard | 29 lbs. | 44" | 19.5" | 3" |
| LDTF-103 | Tread | 1 lb. | 20" | 13" | 2" |
| ILGS-205A | Seat, Swivel, and Umbrella Support Stand | | | | |

Footboard Color

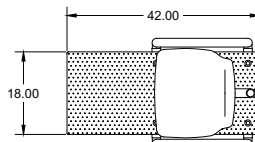
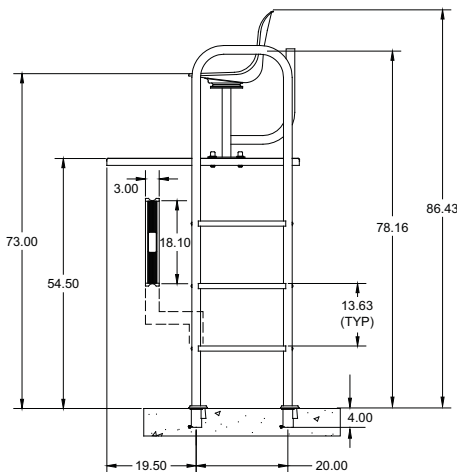
Radiant White

Tread Color

Radiant White

NOTES:

Available in both 304 polished stainless steel or optional 316L
Anchor Sockets and Escutcheons are ordered separately
Ships Class 70 from both Tennessee and Oregon warehouses



A40703-0 Swivel

Low Profile – LPLS 330/342



- Portable units are easy to move to allow you the flexibility to move your lifeguard stations as needed
- Available in 30" or 42" seat heights
- Seat swivels 360° for a full view of your facility from all angles
- Durable acrylic footboards feature a non-slip sanded tread in a variety of colors to match your facility
- Stainless steel base for added corrosion resistance

| Item No. | Description | Shipping Wt. | L | W | H | Footboard Color |
|-------------------|------------------------------------|-------------------|-------------------|-------------------|------------------|-------------------------|
| COMPLETE | | | | | | |
| LPLS-330 | 30" Low Profile | (3 boxes) 85 lbs. | 25" 44" 62" | 20" 46" 58" | 9" 3.5" 7" | Radiant White |
| LPLS-342 | 42" Low Profile | (3 boxes) 95 lbs. | 62" 25" 44" | 58" 20" 46" | 7" 9" 3.5" | Radiant White |
| LPLS-354 | 54" Low Profile | 105 lbs. | | | | Radiant White |
| COMPONENTS | | | | | | |
| 13-111 | Seat with Swivel | 11 lbs. | 26" | 20" | 11" | Custom colors available |
| 8-609 | Seat only | 6 lbs. | 10.5" | 19.25" | 26" | |
| 13-109 | Swivel Stand with Umbrella Support | 16 lbs. | 25" | 20" | 9" | |
| 8-710 | Footboard (38" x 42") | 60 lbs. | 26" | 22" | 12" | |
| LPLS-330A | Footboard + Hardware for 30" | | | | | |
| LPLS-342A | Footboard + Hardware for 42" | | | | | |

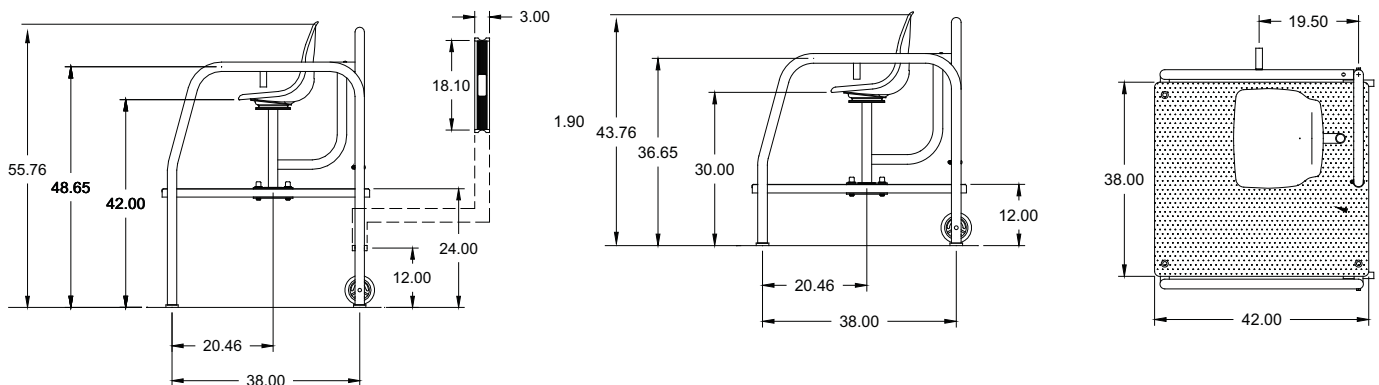
NOTES: Ships Class 125 from both Tennessee and Oregon warehouses



A40703-0 Swivel

42" Low Profile

30" Low Profile



O-Series – LGC 1001/1002



The circular design of the O-Series is a fresh take on the traditional lifeguard chair!

- Portable, lightweight and easy to move for the flexibility to move your lifeguard stations as needed
- Available in 30" or 42" seat heights
- Unique circular design offers 360° access for a fast break at any angle
- Seat swivels 360° for uninhibited, active scanning of the entire facility
- Durable acrylic footboards feature a non-slip sanded tread in a variety of colors to match your facility
- Stainless steel base for added corrosion resistance

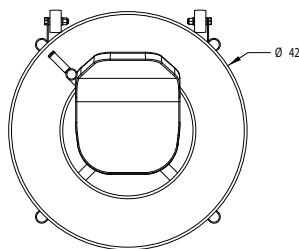
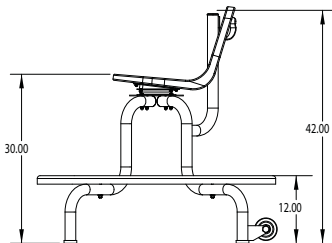
42" O-Series Lifeguard Chair

| Item No. | Description | Shipping Wt. | L | W | H | Footboard Color |
|-------------------|-------------------------------------|-------------------|------------|------------|-------------|-------------------------|
| COMPLETE | | | | | | |
| LGC-1001 | 30" O-Series | (2 boxes) 71 lbs. | 49" 26" | 50" 20" | 56" 11" | Radiant White |
| LGC-1002 | 42" O-Series | (2 boxes) 99 lbs. | 45" 26" | 45" 20" | 8.5" 11" | Radiant White |
| COMPONENTS | | | | | | |
| 8-708 | 42" (lower) Footboard | | | | | Custom colors available |
| 8-709 | 30" (upper) Footboard | | | | | Custom colors available |
| 8-609 | Replacement seat | 6lbs | 10.5" | 19.25" | 26" | Custom colors available |
| LGC-1001A | Footboard, Swivel, Hardware for 30" | | | | | Custom colors available |
| LGC-1002A | Footboard, Swivel, Hardware for 42" | | | | | Custom colors available |

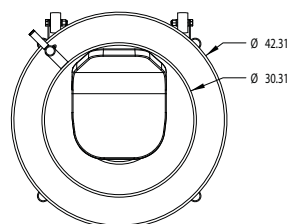
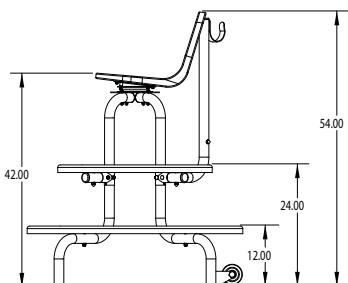
NOTES: Rescue tube not included.

Ships from both Tennessee and Oregon warehouses

30" O-Series Lifeguard Chair



42" O-Series Lifeguard Chair



Outlook I & II – US 48600/48700



Outlook I Lifeguard Chair

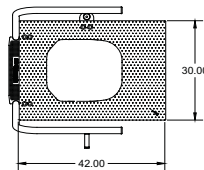
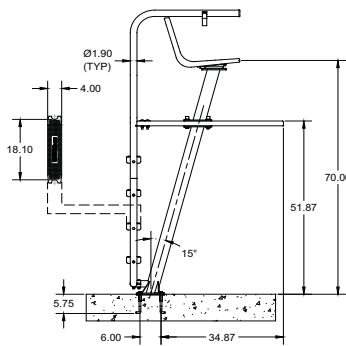
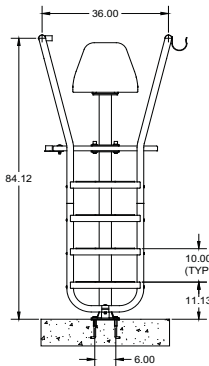


Outlook II Lifeguard Chair

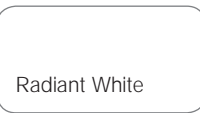
- Permanent units feature a slim design that requires minimal deck space.
- Outlook I is 6' tall at the seat, Outlook II is 5' tall at the seat.
- Extended-size, acrylic observation platforms feature a non-slip sanded tread for maximum lifeguard safety.
- Seats swivel 360° for uninhibited, active scanning of the entire facility.
- Stainless steel bases are powder coated in silver gray for maximum corrosion resistance.

| Item No. | Description | Shipping Wt. | L | W | H |
|-------------------|--|--------------------|------------|------------|-------------|
| COMPLETE | | | | | |
| US48600 | 6' Outlook I | (2 boxes) 171 lbs. | 11" 10" | 35" 10" | 11.5" 8" |
| US48700 | 5' Outlook II | (2 boxes) 156 lbs. | 91" 10" | 35" 10" | 11.5" 8" |
| COMPONENTS | | | | | |
| 13-111 | Seat with Swivel | 11 lbs. | 26" | 20" | 11" |
| 8-609 | Seat only | 6 lbs. | 10.5" | 19.25" | 26" |
| 13-118-SG | Swivel Stand | 20 lbs. | 17" | 8" | 10" |
| 8-613 | Footboard for Outlook I | 45 lbs. | 45" | 32" | 3" |
| 8-614 | Footboard for Outlook II | 45 lbs. | 45" | 32" | 3" |
| 13-122-SG | Support Column for Outlook I | | | | |
| 13-121-SG | Support Column for Outlook II | | | | |
| U548600A | Outlook I Footboard, Seat, Swivel, Hardware | | | | |
| U548700A | Outlook II Footboard, Seat, Swivel, Hardware | | | | |

Outlook I Lifeguard Chair



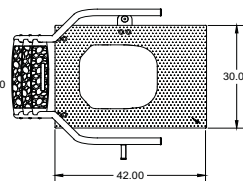
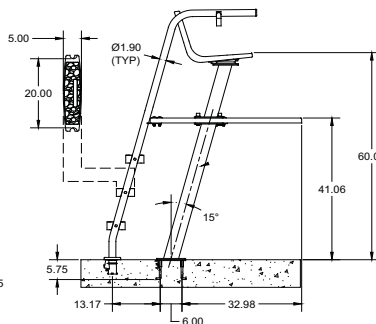
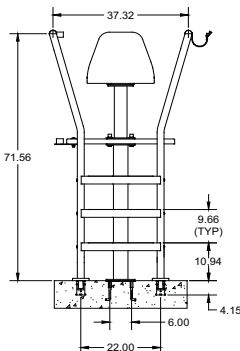
Footboard Color



Tread Color



Outlook II Lifeguard Chair



A40703-0 Swivel

NOTES: Available in both 304 polished stainless steel or optional 316L
Ships Class 125 from Oregon warehouse only

Standard – PLS 204



- Portable unit features two wheels for the flexibility to move your lifeguard stations as needed
- 6' tall at the seat
- Seat swivels 45° for focused scanning
- Extended-size, acrylic observation platform features a non-slip sanded tread for maximum lifeguard safety
- Stainless steel base for added corrosion resistance

| Item No. | Description | Shipping Wt. | L | W | H |
|-------------------|---|--------------------|-------------------|---------------------|-----------------|
| COMPLETE | | | | | |
| PLS-204 | Standard Portable | (3 boxes) 120 lbs. | 80" 26" 25" | 62.5" 20" 20" | 7" 11" 9" |
| 13-130 | Hardware Pack | | | | |
| COMPONENTS | | | | | |
| 13-111 | Seat with Swivel | 11 lbs. | 26" | 20" | 11" |
| 8-609 | Seat only | 6 lbs. | 10.5" | 19.25" | 26" |
| 13-109 | Swivel Stand with Umbrella Support | 16 lbs. | 25" | 20" | 9" |
| 8-705 | Footboard | 29 lbs. | 44" | 19" | 3" |
| PLS-204A | Footboard and Support, Wheel Assembly, Hardware | 94 lbs. | 80" | 62.5" | 7" |
| LTDF-105 | Tread | | | | |

Footboard Color

Radiant White

Tread Color

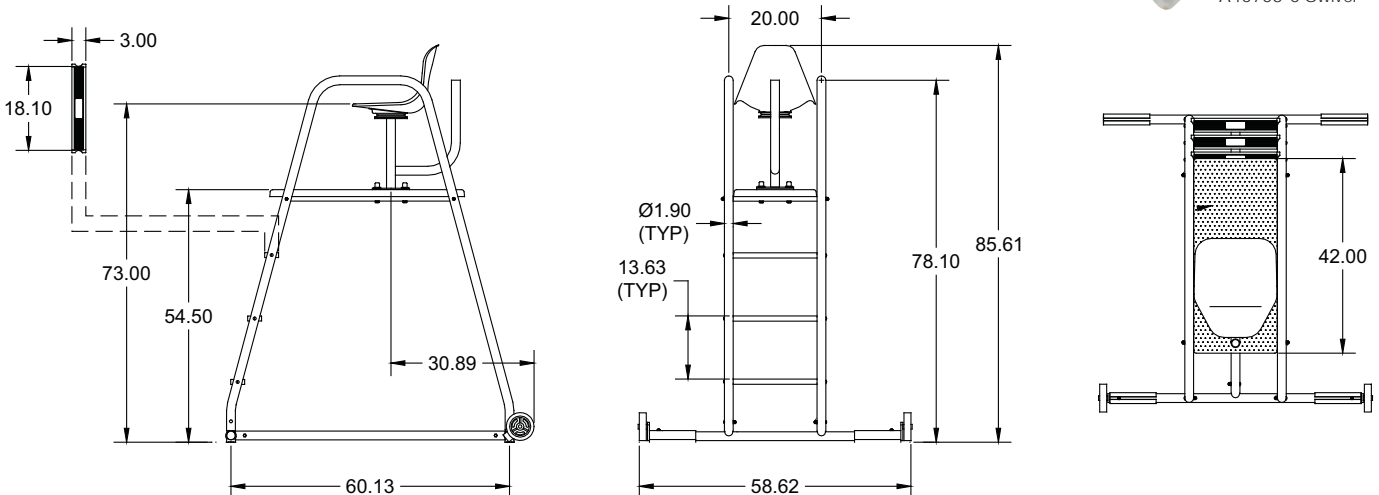
Radiant White



A40703-0 Swivel

NOTES:

Available in both 304 polished stainless steel or optional 316L Ships Class 100 from both Tennessee and Oregon warehouses



Vista – US 48500/48550



- Portable unit features two wheels for the flexibility to move your lifeguard stations as needed
- Available in 6' or 8' seat heights
- Seat swivels 360° for a full view of your facility at all angles
- Extended-size, acrylic observation platform features a non-slip sanded tread in a variety of colors
- Stainless steel base for added corrosion resistance

| Item No. | Description | Shipping Wt. | L | W | H |
|-------------------|-----------------------|--------------|-------|--------|-----|
| COMPLETE | | | | | |
| US48500 | 6' Vista | 110 lbs. | 93" | 54" | 17" |
| US48550 | 8' Vista | 110 lbs. | 93" | 54" | 17" |
| COMPONENTS | | | | | |
| 13-111 | Seat with Swivel | 11 lbs. | 26" | 20" | 11" |
| 8-609 | Seat only | 6 lbs. | 10.5" | 19.25" | 26" |
| 13-117 | Swivel Stand | 16 lbs. | 16" | 9" | 9" |
| 8-612 | Footboard | 45 lbs. | 44" | 31" | 3" |
| S2470-102 | 1 Tread with Hardware | 2 lbs. | 28" | 17" | 5" |
| 8-862 | Wheel | 3.5 lbs. | | | |

Footboard Color

Radiant White

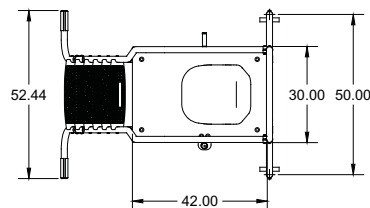
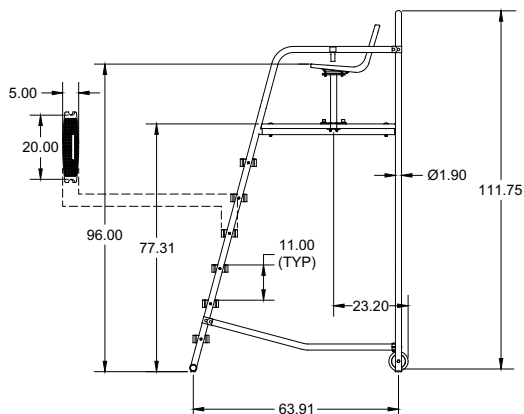
Tread Color

Radiant White

Custom colors available

NOTES:

Available in both 304 polished stainless steel or optional 316L
Ships Class 125 from Oregon warehouse only



A40703-0 Swivel



PoolSonix Pool Alarm System



PoolSonix™ is a solar powered wireless pool alarm system that comes with a family of wireless devices (keypad, keyfob, interior siren/strobe) that delivers the ultimate in installation flexibility. PoolSonix is listed to the newest and most rigorous ASTM standard for alarms which ensures a high standard of performance.

- Solar powered – environmentally friendly green energy.
- Dual processor technology – dedicated micro processors for both alarm detection and wireless communication.
- Wireless communication – remote arm/disarm via key pad or keyfob.
- Indoor & outdoor sirens – alarms at the pool and inside the home.
- Tested tough – meets ASTM standard (F 2208-08) for pool alarm devices.
- Easy to live with – intuitively simple operation.
- Accepted solution for the California Swimming Pool Safety Act (115920-115922 Section 6) and the New York Title 19 NYCRR Part 1221.3 (new)



Keyfob Arming



Interior Keypad



Interior Siren

| Model No. | Description | Shipping Wt. | L | W | H |
|-----------|-------------------------|--------------|-----|----|----|
| PSX-300 | PoolSonix™ Alarm System | 13 lbs. | 12" | 8" | 6" |

COMPONENTS

| | | | | | |
|------------|-----------------------------|-----------|--|--|--|
| PSX-301 | PoolSonix Base Unit | 3.50 lbs. | | | |
| PSX-301-1 | Base Plate | 1.00 lbs. | | | |
| PSX-301-2 | Curved Section of Tube | 0.25 lbs. | | | |
| PSX-301-3 | Straight Section of Tube | 0.25 lbs. | | | |
| PSX-301-4 | Sloped Coping Mount Plate | 0.25 lbs. | | | |
| PSX-301-5 | Spacers for Mounting Plate | 0.10 lbs. | | | |
| PSX-301-6 | Front Leg Pads (set of 2) | 0.10 lbs. | | | |
| PSX-301-7 | Solar Panel | 1.00 lbs. | | | |
| PSX-301-9 | Wireless Key Pad, PoolSonix | 0.50 lbs. | | | |
| PSX-301-10 | Remote Key Fob, PoolSonix | 0.10 lbs. | | | |
| PSX-301-11 | Interior Siren, PoolSonix | 0.50 lbs. | | | |





TurboTwister

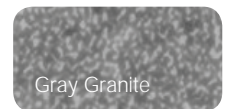
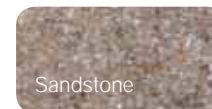


The TurboTwister slide gives you water park thrills right in your own backyard!

- Over 8 feet tall at the top of the handrails!
- Assembles in under 1 hour (not including plumbing or deck-mounting)—fastest large slide installation in the industry!
- High-volume GrandRapids™ water delivery system
- Plumb through return line, or connect to a garden hose.
- Available in right and left curves.
- Enclosed ladder and new molded handrail design for maximum safety.
- Sturdy rotomolded construction – for strength and durability.
- Accommodates sliders up to 275 pounds.
- This slide fully complies with the U.S. Consumer Product Safety Commission’s Safety Standard for Swimming Pool Slides (16 C.F.R. 1207)
- Commercial or residential use
- Mounts on deck — no anchors required

| Model No. | Shipping Wt. | L | W | H |
|--------------|--------------|-----|-----|------|
| 688-209-58AB | 350 lbs. | 56" | 40" | 107" |

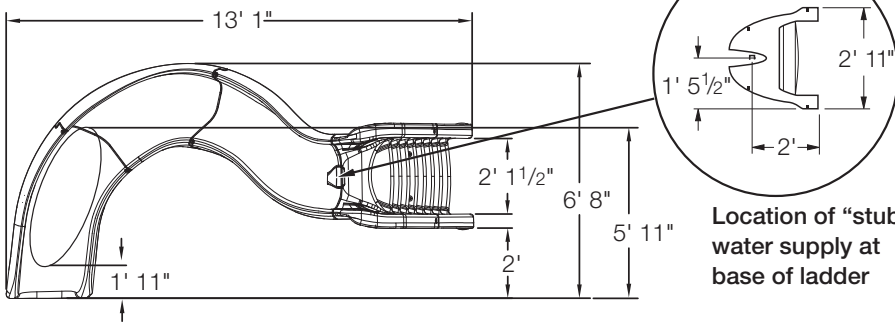
Key to Order: Example: 688-209-58123 (Right Curve Sandstone)
 A = curve: 1=right, 2=left
 B = color: 23=sandstone, 24=gray granite



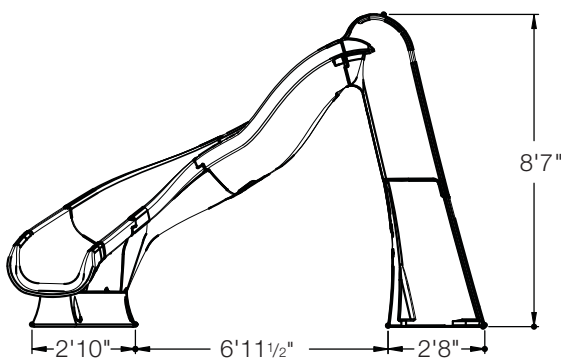
Actual product colors may vary

All installations must comply with all applicable local and national codes and installation must be completed in accordance with S.R.Smith installation instructions.

Children under 48" must be supervised at all times when using this slide.



Location of “stub” water supply at base of ladder



See page 91 for slide placement diagram

Typhoon™



The newest addition to our rotomolded family of slides (Cyclone, Typhoon and TurboTwister) means now you have a slide to sell with every pool.

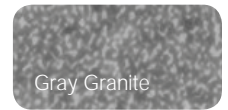
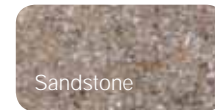
- 7'4" tall at the top of the handrails
- High-volume GrandRapids™ water delivery system
- Available in right and left curves
- Rotomolded construction for strength and durability
- Accommodates sliders up to 275 pounds
- Enclosed ladder and molded handrails for increased safety
- This slide fully complies with the CPSC Safety Standard for Swimming Pool Slides (16 CFR 1207)
- Commercial or residential use

| Model No. | Shipping Wt. | L | W | H |
|--------------|--------------|-----|-----|-----|
| 670-209-58AB | 255 lbs. | 55" | 31" | 90" |

Key to Order: Example: 670-209-58123 (Right Curve Sandstone)

A = curve: 1=right, 2=left

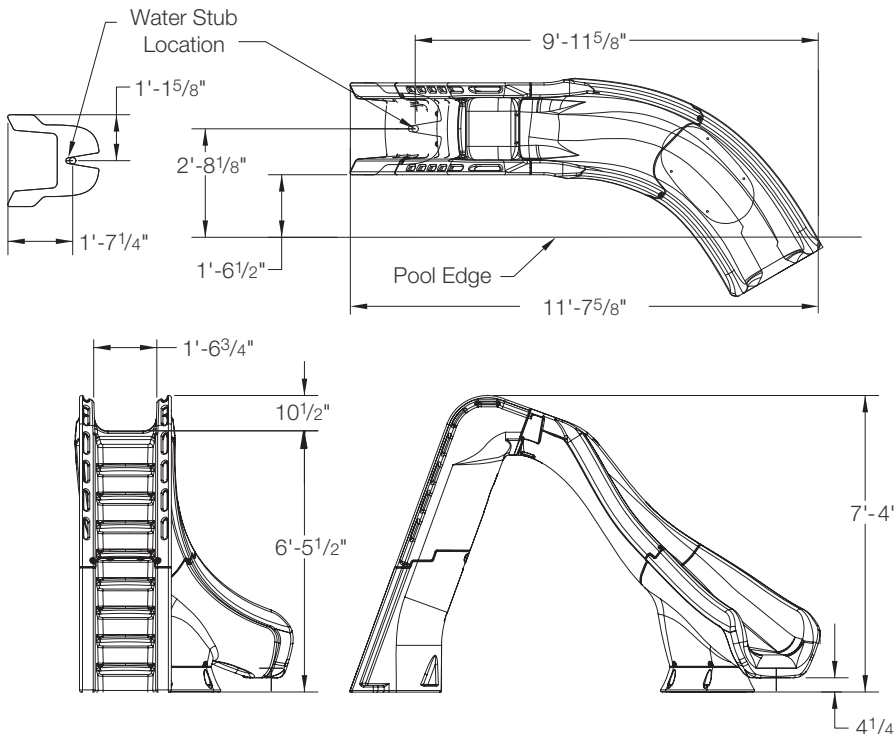
B = color: 23=sandstone, 24=gray granite



Actual product colors may vary

All installations must comply with all applicable local and national codes and installation must be completed in accordance with S.R. Smith installation instructions.

Children under 48" must be supervised at all times when using this slide.



See page 91 for slide placement diagram

Cyclone

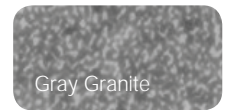
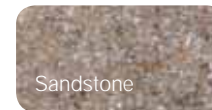
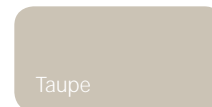
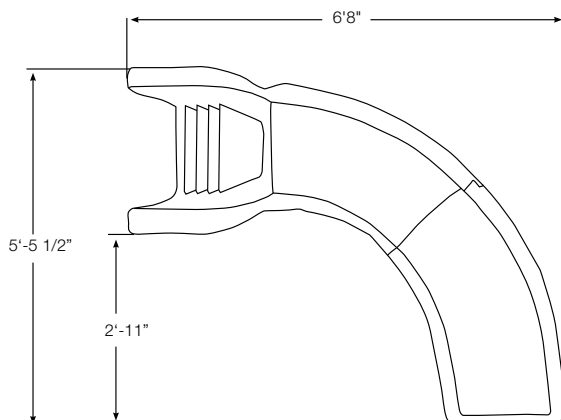
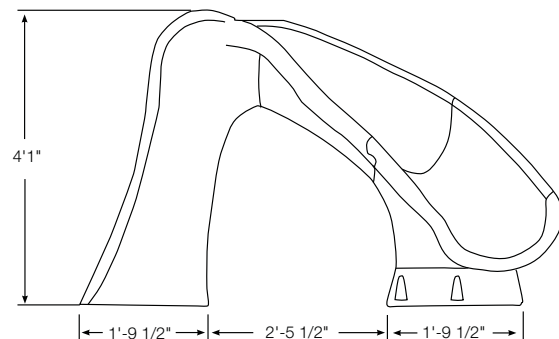


Small slide, Big Fun!

- 4'1" tall at the handrails – low-profile design fits almost anywhere!
- Now includes new water delivery system!
- Only requires 42" of water depth
- Available in right curve only
- Enclosed ladder for maximum safety
- Compact footprint works well in limited deck spaces
- Sturdy, rotomolded construction – for strength and durability
- Accommodates sliders up to 175 pounds
- This slide fully complies with the U.S. Consumer Product Safety Commission's Safety Standard for Swimming Pool Slides (16 C.F.R. 1207)
- Commercial or residential use

| Model No. | Shipping Wt. | L | W | H |
|--------------|--------------|-------|-------|-------|
| 698-209-581B | 135 lbs. | 51.5" | 41.5" | 31.5" |

Key to Order: Example: 698-209-58124 (Gray Granite)
 B = color: 23=sandstone, 24=gray granite, 10=taupe
 Available in Right Curve Only



Actual product colors may vary

All installations must comply with all applicable local and national codes and installation must be completed in accordance with S.R.Smith installation instructions.

Children under 48" must be supervised at all times when using this slide.

See page 91 for slide placement diagram

Rogue™ GrandRapids™

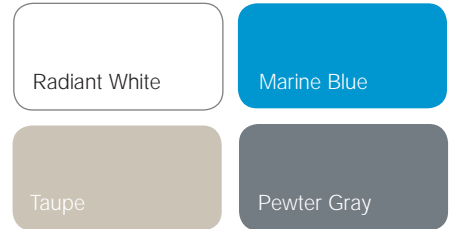


Our tried and true Rogue GrandRapids slide gives you a large slide packed with features for maximum sliding fun.

- 6'6" tall at the top of the runway, 8' to the top of the handrails
- High-volume GrandRapids™ water delivery system
- Available in right or left curve
- Heavy-duty ladder, rails and legs for added stability
- Scratch-resistant acrylic runway for long product life
- Can be surface or in-deck mounted to accommodate any pool (flanges must be purchased separately)
- Accommodates sliders up to 250 pounds.
- This slide fully complies with the U.S. Consumer Product Safety Commission's Safety Standard for Swimming Pool Slides (16 C.F.R. 1207)
- Residential use only

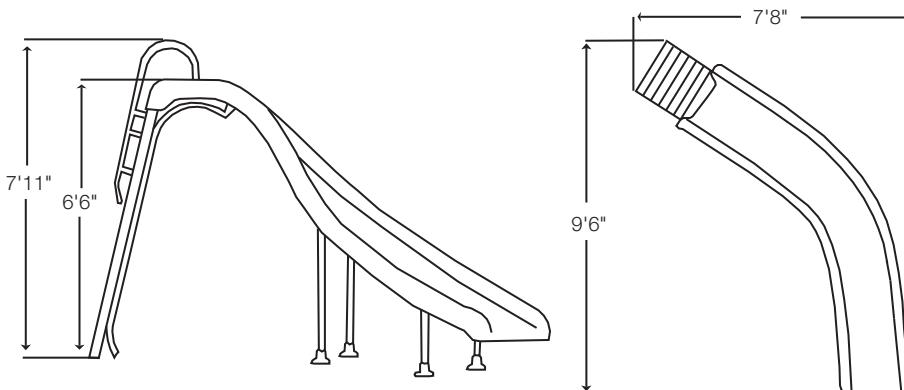
| Model No. | Shipping Wt. | L | W | H |
|--------------|--------------------------|------|-----|-------|
| 635-209-58AB | 100 lbs. (2 boxes) | 152" | 28" | 29.5" |
| | | 84" | 26" | 5" |
| 135-209-58AB | Flume Only | | | |
| 135-209-5891 | Ladder & Parts Carton | | | |
| 85-209-600L | Slide Cover, Left | | | |
| 85-209-600R | Slide Cover, Right | | | |
| 75-209-5865 | Plastic Flange Mounting | | | |
| 75-209-5866 | Aluminum Flange Mounting | | | |

Key to Order: Example: 635-209-5822 (Left White)
 A = curve: 1=right, 2=left
 B = color: 10=taupe, 2=radiant white, 3=marine blue, 20=pewter gray



Actual product colors may vary

All installations must comply with all applicable local and national codes and installation must be completed in accordance with S.R.Smith installation instructions.



See page 91 for slide placement diagram

AquaBlast™



Our popular AquaBlast™ slide was created to fit virtually any size inground swimming pool. With a low-profile, compact design, this slide is the perfect way to make your pool more fun!

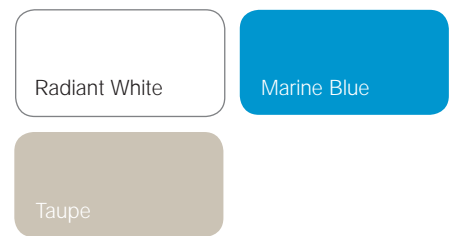
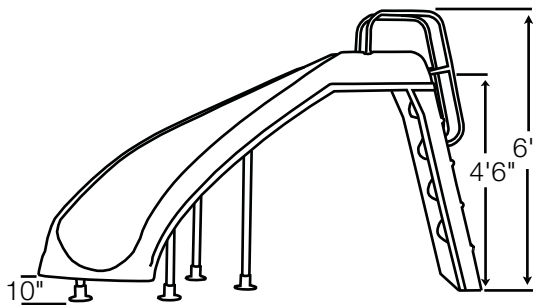
- 4'6" tall at the runway, 6' to the top of the handrails – perfect low-profile design fits almost anywhere!
- High-volume GrandRapids™ water delivery system
- Available in 3 designer colors to blend with backyard décor
- Enclosed ladder for maximum safety
- Available in right and left curves
- Two-piece runway – boxed for easy shipping
- Compact footprint works well in limited deck spaces
- Hook up to a garden hose or plumb directly into pool water system
- Accommodates sliders up to 250 pounds
- This slide fully complies with the U.S. Consumer Product Safety Commission's Safety Standard for Swimming Pool Slides (16 C.F.R. 1207)
- Residential use only
- Flanges are required to mount the slide to the deck, and are included

| Model No. | Shipping Wt. | L | W | H |
|--------------|--------------|-----|-----|-----|
| 623-209-58AB | 145 lbs. | 70" | 31" | 34" |

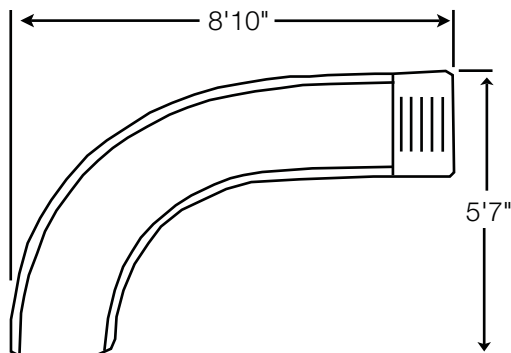
Key to Order: Example: 623-209-58110 (Right Taupe)

A = curve: 1=right, 2=left

B = color: 10=taupe, 2=radiant white, 3=marine blue



Actual product colors may vary



See page 91 for slide placement diagram

All installations must comply with all applicable local and national codes and installation must be completed in accordance with S.R. Smith installation instructions.

RocketRide™



Our RocketRide™ slide was created to fit virtually any size in-ground swimming pool. With a low-profile, compact design, this slide is the perfect way to make your pool more fun!

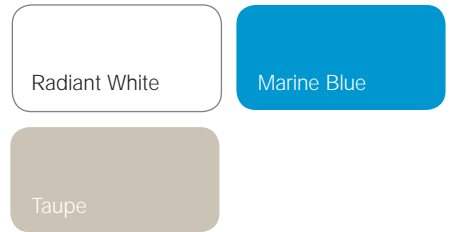
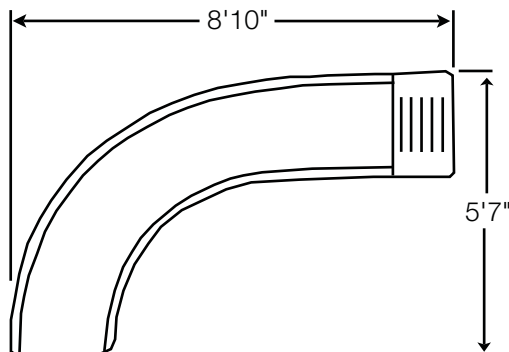
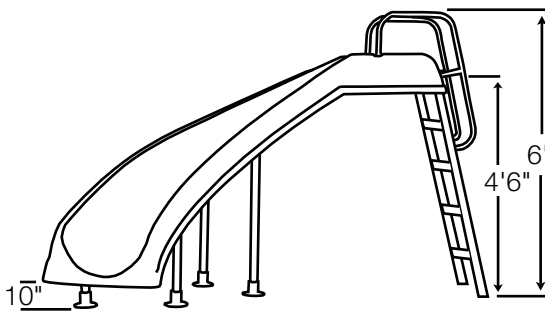
- 4'6" tall at the runway, 6' to the top of the handrails – perfect low-profile design fits almost anywhere!
- Available in 3 designer colors to blend with backyard décor
- Open aluminum ladder offers real value at a lower price point
- Available in right and left curves
- Compact footprint works well in limited deck spaces
- Hook up to a garden hose or plumb directly into pool water system
- Accommodates sliders up to 250 pounds
- This slide fully complies with the U.S. Consumer Product Safety Commission's Safety Standard for Swimming Pool Slides (16 C.F.R. 1207)
- Residential use only
- Flanges are required to mount the slide to the deck, and are included

| Model No. | Shipping Wt. | L | W | H |
|--------------|--------------|-----|-----|-----|
| 622-209-58AB | 105 lbs. | 70" | 31" | 34" |

Key to Order: Example: 622-209-58110 (Right Taupe)

A = curve: 1=right, 2=left

B = color: 10=taupe, 2=radiant white, 3=marine blue



Actual product colors may vary

All installations must comply with all applicable local and national codes and installation must be completed in accordance with S.R. Smith installation instructions.

See page 91 for slide placement diagram

BigRide™



The BigRide™ Landscape slide is a great starting point for custom slidescapes

- 5'6" tall at the top of the runway, with a 17' long ride! (30" wide)
- 3 piece runway for easy shipping and installation
- High volume water delivery system
- Available in 2 designer colors
- Available in left and right curves
- Commercial grade fiberglass gelcoat for maximum durability
- Extra wide, deep flume for maximum fun and safety
- Accommodates sliders up to 250 lbs
- This slide fully complies with the U.S. Consumer Product Safety Commission's Safety Standard for Swimming Pool Slides (16 C.F.R. 1207)
- Commercial or residential use
- View our installation video at www.srsmith.com/video/bigride.html

| Model No. | Shipping Wt. | L | W | H |
|-----------|--------------|-----|-----|-----|
| BR-2A-B | 300 lbs. | 52" | 76" | 37" |

Key to Order: Example: BR-2R-PG (Right, Pewter Gray)

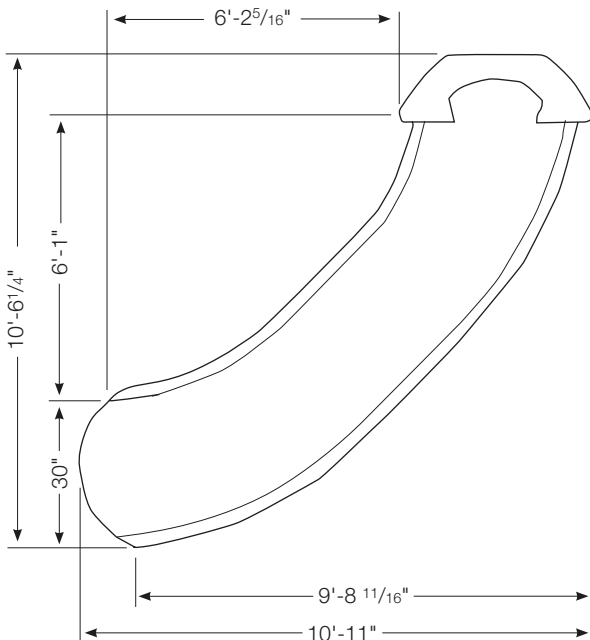
A = curve: R=right, L=left
 B = color: -TP=taupe, -PG=pewter gray

Add the corresponding curve + color code to the end of the slide part number.
 Ships within 5-7 days of order.



Actual product colors may vary

All installations must comply with all applicable local and national codes and installation must be completed in accordance with S.R.Smith installation instructions.



See page 91 for slide placement diagram

Vortex™

Go high-end residential or crossover to commercial applications with this new multi-market slide. This open or closed flume slide is available with a ladder or staircase design so you can customize to fit your application.



- Open or closed flume
- 10'7" overall height, 7'6" tall to the seat with a 19' corkscrew runway
- Available with a ladder or spiral staircase
- High-volume water delivery system
- Rotomolded flume pieces with a galvanized steel frame
- Accommodates sliders up to 325 pounds
- Mounts to most existing decks — see installation instructions
- Build to order — call for lead times
- This slide fully complies with the CPSC Safety Standard for Swimming Pool Slides (16 CFR 1207)

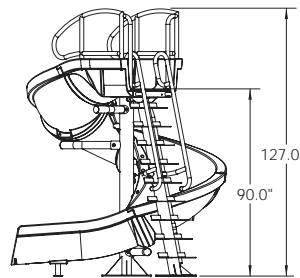


| Model No. | Description | Shipping Wt. |
|------------|-----------------------------|--------------|
| 695-209-1A | Open flume with ladder | 1350 lbs |
| 695-209-2A | Closed flume with ladder | 1500 lbs |
| 695-209-3A | Open flume with staircase | 1710 lbs |
| 695-209-4A | Closed flume with staircase | 1860 lbs |

Product ships on 2 pallets and requires 14' of trailer space

| L | W | H |
|-----|------|-----|
| 57" | 128" | 72" |
| 39" | 150" | 48" |

A = Color: 3 = Blue, 24 = Gray Granite



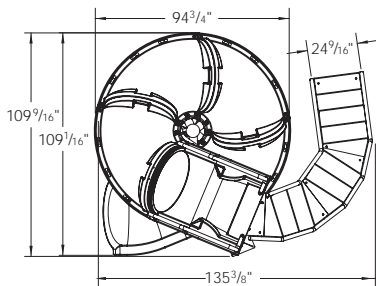
Gray Granite



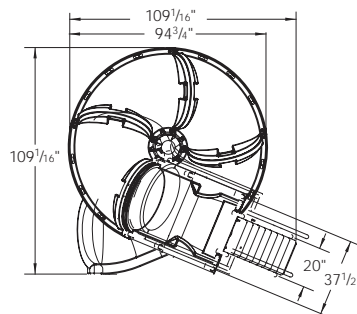
Blue

Actual product colors may vary

Vortex with Staircase



Vortex with Ladder



All installations must comply with all applicable local and national codes and installation must be completed in accordance with S.R. Smith installation instructions.

Children under 48" must be supervised at all times when using this slide.

See page 91 for slide placement diagram



Starting Platforms

Starting platforms can make a big difference in a swimmer's competitive times. A solid platform that doesn't wobble can help swimmers get a better, faster start – leading to a better time. It all starts with the anchor.

A RockSolid™ Choice

Our original, single-post RockSolid anchor has become the industry standard for sturdy starting platforms. Our RockSolid anchor eliminates platform wobble, allowing solid starts and can help reduce swimmer times. With the patented RockSolid Anchor being available in both a single post and dual-post design, there is a RockSolid anchor to go with nearly any starting platform you choose.

Getting the Right Fit

While our standard starting platform configurations fit the majority of pools, we also offer long-reach and side mount options of many of our starting platforms for special situations. Long reach platforms are ideal for pools with wide gutter configurations, or when there is a lot of electrical equipment on the deck for a timing system. Side mount platforms are ideal for narrow bulkheads or decks, when space is an issue.

Show Your Team Spirit

For competitive facilities, starting platforms are the focal point. We provide many opportunities for customization – whether you add the home team's logo to the footboards, or have the powder coated frame and footboard tread done in team colors.

Easy to Specify

Our starting platforms are easy to add to your proposal, with complete written and drawn specifications by our engineers. Up-to-date specifications and AutoCAD files can be downloaded directly from our website – no waiting for an email response or a CD in the mail!

So Many Options

In addition to colors and logos, some of our starting platforms allow for starting strobes that integrate with leading timing systems.

You can also choose from four unique backstroke handle designs:



1. Angled Handle



2. Horizontal Handle



3. U-Handle



4. H-Handle

The image shows a screenshot of the 'starting block configurator' website. It features a sidebar with various configuration options: 'Number of Posts' (Single/Dual), 'Type of Mount' (Side/Head), 'Height over water' (inches), 'Deck to water' (inches), 'Height over deck' (inches), 'Setback' (inches), 'Frame color' (Pearl White), 'Head color or custom logo', 'Strobe lights' (Select for availability), and 'Anchor types' (Select for availability). The main area displays several product images with labels: 'Legacy Single', 'Legacy in Dual', 'Long Reach Legacy', 'Legacy Side Mount', 'Legacy 2 Side Mount', 'Legacy 12' Deck', 'Legacy 12' Deck', and 'Standard Lanes'. The SRS Smith logo is visible at the bottom right of the configurator.

Visit our online configurator to customize your block today at: www.build-a-block.com

Legacy Launch



This platform features an adjustable wedge that folds away under the footboard when not in use.

- Setback: 21" to 26" anchor setback
- Height: 17" to 29.5" from deck edge to top front edge of platform
- Footboard: 24" wide x 32" deep, high-impact, laminated core reinforced with fiberglass in a gelcoat skin with a non-slip SureFoot tread
- The 2.5" square, 304 stainless steel tubing is powder-coated for added corrosion resistance
- Choose from 4 different backstroke handle designs, see page 111
- Use with the RockSolid Anchor that eliminates platform rocking, allowing swimmers to have more consistent starts
- Meets FINA, NCAA, USMS, USAS and competition pool rules and regulations
- Compatible with Colorado Timing Systems (LAUNCHR-SP-9999A only)

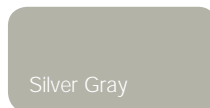
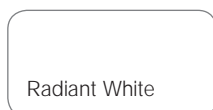


New! Optional Side Handles
p/n 4-170A

Offers an additional starting technique option for advanced swimmers.

| Item No. | Description | Shipping Wt. | L | W | H |
|------------------|---------------------------------|-------------------|-----------|-------------|-----------|
| LAUNCH-SP-9999A | Legacy Launch | 90 lbs. (2 boxes) | 44" 8" | 26.5" 8" | 30" 6" |
| LAUNCHR-SP-9999A | Legacy Launch for timing System | 90 lbs. (2 boxes) | 44" 8" | 26.5" 8" | 30" 6" |
| 27-107 | RockSolid Anchor | 8 lbs. | 8" | 8" | 6" |
| 20-191 | Safety Cap for Anchor | | | | |

Frame Colors

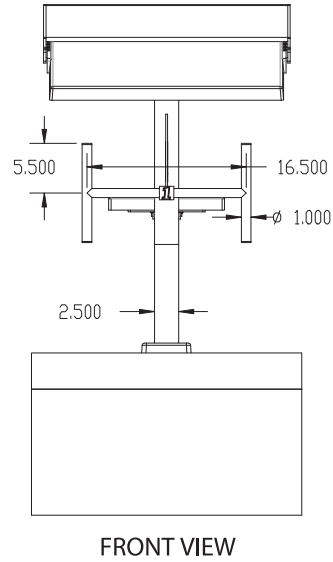
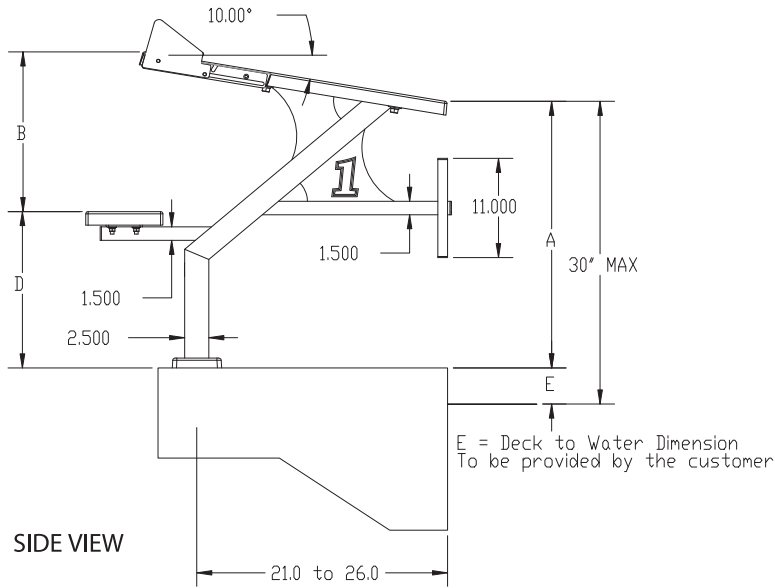


Tread Colors



Custom colors also available.

Legacy Launch Starting Platform



| MODEL NUMBER | A* | B | | |
|----------------|------|-------|-------|-------|
| LAUNCH 26-30 | 30 | 16.62 | 18.00 | 18.25 |
| LAUNCH 26-29.5 | 29.5 | 16.62 | 17.50 | 17.75 |
| LAUNCH 26-29 | 29 | 16.62 | 17.00 | 17.25 |
| LAUNCH 26-28.5 | 28.5 | 16.62 | 16.50 | 16.75 |
| LAUNCH 26-28 | 28 | 16.62 | 16.00 | 16.25 |
| LAUNCH 26-27.5 | 27.5 | 16.62 | 15.50 | 15.75 |
| LAUNCH 26-27 | 27 | 16.62 | 15.00 | 15.25 |
| LAUNCH 26-26.5 | 26.5 | 16.62 | 14.50 | 14.75 |
| LAUNCH 26-26 | 26 | 16.62 | 14.00 | 14.25 |
| LAUNCH 26-25.5 | 25.5 | 16.62 | 13.50 | 13.75 |
| LAUNCH 26-25 | 25 | 16.62 | 13.00 | 13.25 |
| LAUNCH 25-24.5 | 24.5 | 14.66 | 12.50 | 14.75 |
| LAUNCH 25-24 | 24 | 14.66 | 12.00 | 14.25 |
| LAUNCH 24-23.5 | 23.5 | 14.16 | 11.50 | 14.25 |
| LAUNCH 24-23 | 23 | 14.16 | 11.00 | 13.75 |
| LAUNCH 23-22.5 | 22.5 | 12.91 | 10.50 | 14.50 |
| LAUNCH 23-22 | 22 | 12.91 | 10.00 | 14.00 |
| LAUNCH 23-21.5 | 21.5 | 12.91 | 9.50 | 13.50 |
| LAUNCH 23-21 | 21 | 12.91 | 9.00 | 13.00 |
| LAUNCH 23-20.5 | 20.5 | 12.91 | 8.50 | 12.50 |
| LAUNCH 23-20 | 20 | 12.91 | 8.00 | 12.00 |
| LAUNCH 22-19.5 | 19.5 | 11.91 | 7.50 | 12.50 |
| LAUNCH 22-19 | 19 | 11.91 | 7.00 | 12.00 |
| LAUNCH 22-18.5 | 18.5 | 11.91 | 6.50 | 11.50 |
| LAUNCH 21-18 | 18 | 10.66 | 6.00 | 12.25 |
| LAUNCH 21-17.5 | 17.5 | 10.66 | 5.50 | 11.75 |
| LAUNCH 21-17 | 17 | 10.66 | 5.00 | 11.25 |

*NOMINAL DIMENSION

Legacy Starting Platforms



Legacy™ Single-Post



Legacy™ Long Reach

NOTE:
Number of steps (1 or 2) will vary depending on setback and height of starting platform.



Legacy™ Side Mount



New! Optional Side Handles
p/n 4-170A
Offers an additional starting technique option for advanced swimmers.

All Legacy starting platforms

The Legacy single-post models are ideal for highly competitive swimming facilities.

- The 2.5" square, 304 stainless steel tubing is powder-coated for added corrosion resistance
- Choose from 4 different backstroke handle designs, see page 111
- Use with the RockSolid anchor that eliminates platform rocking, allowing swimmers to have more consistent starts
- Meets FINA, NCAA, NFSHSA, USMS, USAS and competition pool rules and regulations

Legacy Standard

- Footboard: 24" wide x 30" deep, high-impact, laminated core reinforced with fiberglass in an acrylic skin with a non-slip SureFoot tread.
- Setback: 21" to 26" anchor set back
- Height: 17" to 29.5" from deck edge to top front edge of platform

Legacy Long Reach

The solution for pools with wide or parapet gutter systems

- Footboard: 24" wide x 32" deep
- Setback: 30" to 40" anchor set back
- Height: 20" to 29.5" from deck edge to top front edge of platform

Legacy Side Mount

Ideal for narrow bulkheads or pools with limited deck space.

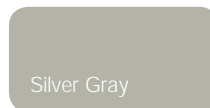
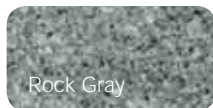
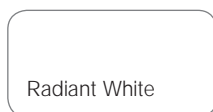
- Footboard: 24" wide x 32" deep
- Setback: 21" to 26" anchor set back
- Height: 19" to 29.5" from deck edge to top front edge of platform

| Item No. | Description | Shipping Wt. | L | W | H |
|----------------|--------------------------------------|-------------------|------------|-------------|-----------|
| LEGACY-SP-9999 | Legacy with anchor | 90 lbs. (2 boxes) | 44" 8" | 26.5" 8" | 30" 6" |
| LGCYL1-SP-9999 | Legacy Long Reach with anchor | varies (2 boxes) | 63" 8" | 26" 8" | 33" 6" |
| LSM-9999 | Legacy Side Mount with anchor | varies (2 boxes) | 45" 25" | 27" 10" | 30" 3" |
| 8-617 | Legacy Replacement Footboard | | | | |
| 8-623B | Legacy LR & SM Replacement Footboard | | | | |
| 27-107 | RockSolid Anchor | 8 lbs. | 8" | 8" | 6" |
| 20-191 | Safety Cap for Anchor | | | | |

*Add A to the end of the part number to order without an anchor

NOTE: Can be customized with team logos and colors for an additional charge. Call for quote.

Frame Colors

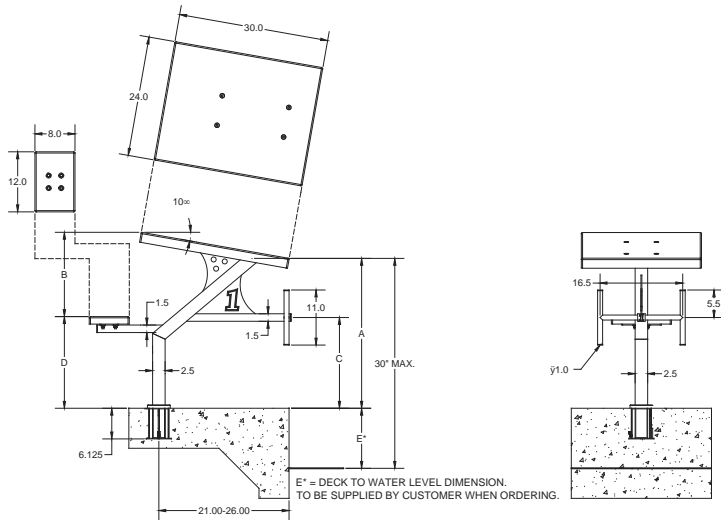


Tread Colors



Custom colors also available.

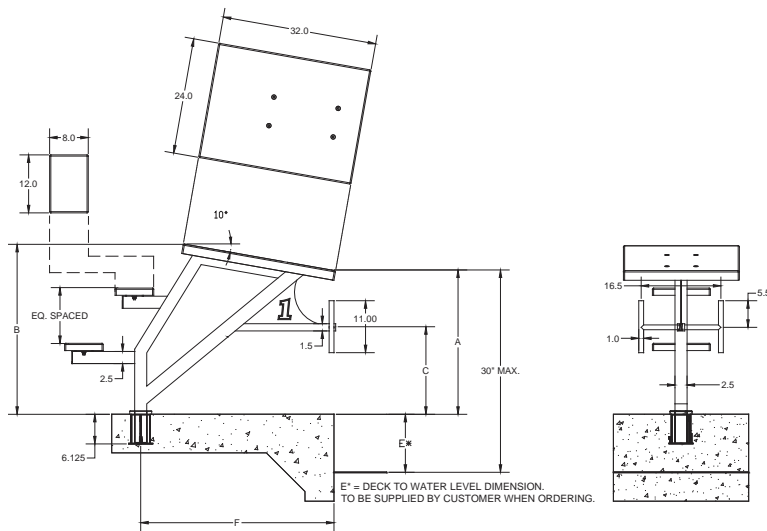
Legacy Starting Platform



| MODEL NUMBER | A* | B | C | D |
|----------------|------|-------|-------|-------|
| LEGACY 26-30 | 30 | 16.62 | 18.00 | 18.25 |
| LEGACY 26-29.5 | 29.5 | 16.62 | 17.50 | 17.75 |
| LEGACY 26-29 | 29 | 16.62 | 17.00 | 17.25 |
| LEGACY 26-28.5 | 28.5 | 16.62 | 16.50 | 16.75 |
| LEGACY 26-28 | 28 | 16.62 | 16.00 | 16.25 |
| LEGACY 26-27.5 | 27.5 | 16.62 | 15.50 | 15.75 |
| LEGACY 26-27 | 27 | 16.62 | 15.00 | 15.25 |
| LEGACY 26-26.5 | 26.5 | 16.62 | 14.50 | 14.75 |
| LEGACY 26-26 | 26 | 16.62 | 14.00 | 14.25 |
| LEGACY 26-25.5 | 25.5 | 16.62 | 13.50 | 13.75 |
| LEGACY 26-25 | 25 | 16.62 | 13.00 | 13.25 |
| LEGACY 25-24.5 | 24.5 | 14.66 | 12.50 | 14.75 |
| LEGACY 25-24 | 24 | 14.66 | 12.00 | 14.25 |
| LEGACY 24-23.5 | 23.5 | 14.16 | 11.50 | 14.25 |
| LEGACY 24-23 | 23 | 14.16 | 11.00 | 13.75 |
| LEGACY 23-22.5 | 22.5 | 12.91 | 10.50 | 14.50 |
| LEGACY 23-22 | 22 | 12.91 | 10.00 | 14.00 |
| LEGACY 23-21.5 | 21.5 | 12.91 | 9.50 | 13.50 |
| LEGACY 23-21 | 21 | 12.91 | 9.00 | 13.00 |
| LEGACY 23-20.5 | 20.5 | 12.91 | 8.50 | 12.50 |
| LEGACY 23-20 | 20 | 12.91 | 8.00 | 12.00 |
| LEGACY 22-19.5 | 19.5 | 11.91 | 7.50 | 12.50 |
| LEGACY 22-19 | 19 | 11.91 | 7.00 | 12.00 |
| LEGACY 22-18.5 | 18.5 | 11.91 | 6.50 | 11.50 |
| LEGACY 21-18 | 18 | 10.66 | 6.00 | 12.25 |
| LEGACY 21-17.5 | 17.5 | 10.66 | 5.50 | 11.75 |
| LEGACY 21-17 | 17 | 10.66 | 5.00 | 11.25 |

*nominal dimension

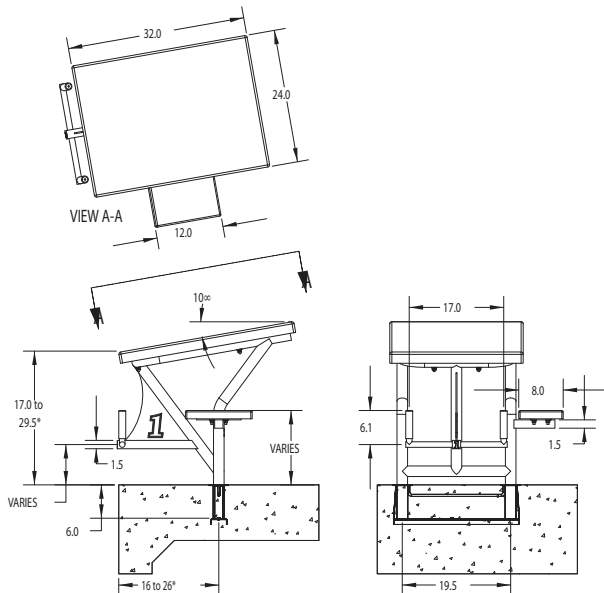
Legacy Long Reach Starting Platform



| PART NUMBER | A | B | C | F* |
|-----------------------------|------|-------|-------|------------|
| Legacy 30-30 thru 40-30 | 30 | 35.00 | 18.00 | 30 thru 40 |
| Legacy 30-29.5 thru 40-29.5 | 29.5 | 34.50 | 17.50 | 30 thru 40 |
| Legacy 30-29 thru 40-29 | 29 | 34.00 | 17.00 | 30 thru 40 |
| Legacy 30-28.5 thru 40-28.5 | 28.5 | 33.50 | 16.50 | 30 thru 40 |
| Legacy 30-28 thru 40-28 | 28 | 33.00 | 16.00 | 30 thru 40 |
| Legacy 30-27.5 thru 40-27.5 | 27.5 | 32.50 | 15.50 | 30 thru 40 |
| Legacy 30-27 thru 40-27 | 27 | 32.00 | 15.00 | 30 thru 40 |
| Legacy 30-26.5 thru 40-26.5 | 26.5 | 31.50 | 14.50 | 30 thru 40 |
| Legacy 30-26 thru 40-26 | 26 | 31.00 | 14.00 | 30 thru 40 |
| Legacy 30-25.5 thru 40-25.5 | 25.5 | 30.50 | 13.50 | 30 thru 40 |
| Legacy 30-25 thru 40-25 | 25 | 30.00 | 13.00 | 30 thru 40 |
| Legacy 30-24.5 thru 40-24.5 | 24.5 | 29.50 | 12.50 | 30 thru 40 |
| Legacy 30-24 thru 40-24 | 24 | 29.00 | 12.00 | 30 thru 40 |
| Legacy 30-23.5 thru 40-23.5 | 23.5 | 28.50 | 11.50 | 30 thru 40 |
| Legacy 30-23 thru 40-23 | 23 | 28.00 | 11.00 | 30 thru 40 |
| Legacy 30-22.5 thru 40-22.5 | 22.5 | 27.50 | 10.50 | 30 thru 40 |
| Legacy 30-22 thru 40-22 | 22 | 27.00 | 10.00 | 30 thru 40 |
| Legacy 30-21.5 thru 40-21.5 | 21.5 | 26.50 | 9.50 | 30 thru 40 |
| Legacy 30-21 thru 40-21 | 21 | 26.00 | 9.00 | 30 thru 40 |
| Legacy 30-20.5 thru 40-20.5 | 20.5 | 25.50 | 8.50 | 30 thru 40 |
| Legacy 30-20 thru 40-20 | 20 | 25.00 | 8.00 | 30 thru 40 |

*In 2" increments

Legacy Side Mount Starting Platform



Legacy II Starting Platform



NOTE: Frame available in polished steel only

The Legacy II is an economical choice for recreational swimming facilities.

- Setback: 18" anchor set back
- Height: 17" to 29.5" from deck edge to top front edge of platform
- Footboard: 24" wide x 20" deep, sanded tread for safety
- The 1.90", .145" wall 304 stainless steel tubing is electropolished for added corrosion resistance
- Use with the dual post anchor assembly for easy installation
- Meets FINA, NCAA, NFSHSA, USMS, USAS and competition pool rules and regulations

| Item No. | Description | Shipping Wt. | L | W | H |
|-----------|----------------------------|-------------------|------------|------------|-----------|
| Legacy II | Legacy II with anchor | 65 lbs. (2 boxes) | 45" 25" | 27" 10" | 30" 3" |
| 27-108 | RockSolid Dual Post Anchor | 15 lbs. | 25" | 10" | 3" |

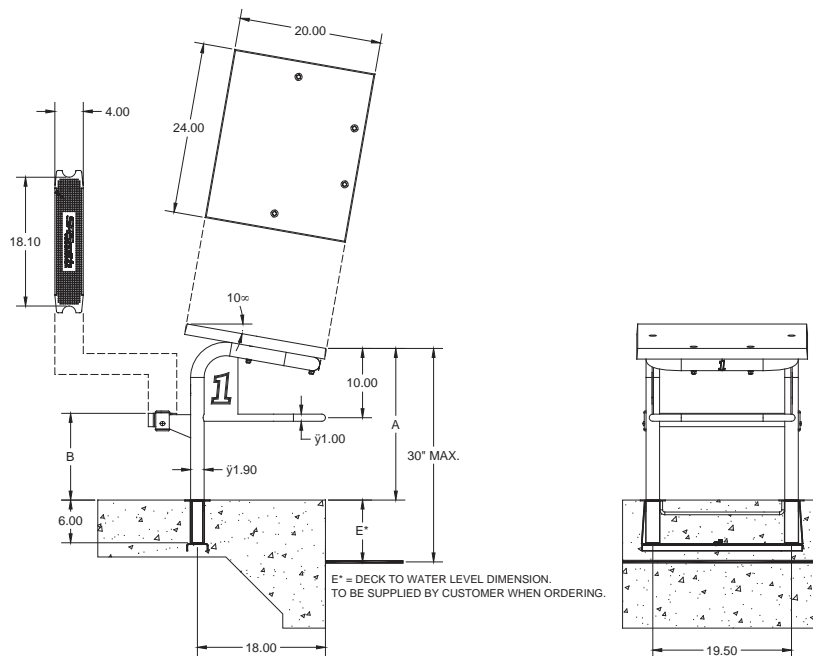
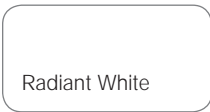
*Add A to the end of the part number to order without an anchor

NOTE: Can be customized with team logos and colors for an additional charge. Call for quote.

RockSolid Dual Post Anchor



Tread Color



| A | B | DECK TO WATER LEVEL |
|------|------|---------------------|
| 30.0 | 16.5 | 0.0 |
| 29.5 | 16.0 | 0.5 |
| 29.0 | 16.0 | 1.0 |
| 28.5 | 15.5 | 1.5 |
| 28.0 | 15.5 | 2.0 |
| 27.5 | 15.0 | 2.5 |
| 27.0 | 15.0 | 3.0 |
| 26.5 | 14.5 | 3.5 |
| 26.0 | 14.5 | 4.0 |
| 25.5 | 14.0 | 4.5 |
| 25.0 | 14.0 | 5.0 |
| 24.5 | 13.5 | 5.5 |
| 24.0 | 13.5 | 6.0 |
| 23.5 | 13.0 | 6.5 |
| 23.0 | 13.0 | 7.0 |
| 22.5 | 12.5 | 7.5 |
| 22.0 | 12.5 | 8.0 |
| 21.5 | 12.0 | 8.5 |
| 21.0 | 12.0 | 9.0 |
| 20.5 | 11.5 | 9.5 |
| 20.0 | 11.5 | 10.0 |
| 19.5 | 11.0 | 10.5 |
| 19.0 | 11.0 | 11.0 |
| 18.5 | 10.5 | 11.5 |
| 18.0 | 10.5 | 12.0 |
| 17.5 | 10.0 | 12.5 |
| 17.0 | 10.0 | 13.0 |



Legacy II Side Mount Starting Platform

The Legacy II Side Mount is an ideal solution for narrow bulkheads or pools with limited deck space.

- Setback: 16" to 26" anchor set back
- Height: 17" to 29.5" from deck edge to top front edge of platform
- Footboard: 24" wide x 32" deep, sanded tread for safety
- The 1.90", 304 stainless steel tubing is powder coated for added corrosion resistance
- Use with the new dual post RockSolid Anchor that eliminates platform rocking, allowing swimmers to have more consistent starts
- Meets FINA, NCAA, NFSHSA, USMS, USAS and competition pool rules and regulations

| Item No. | Description | Shipping Wt. | L | W | H |
|---------------|----------------------------------|--------------|-----------------|--------|----|
| LGCY2 SIDEMNT | Legacy II Side Mount with anchor | | varies(2 boxes) | 45"27" | 3" |
| 27-108 | RockSolid Dual Post Anchor | 15 lbs. | 25" | 10" | 3" |

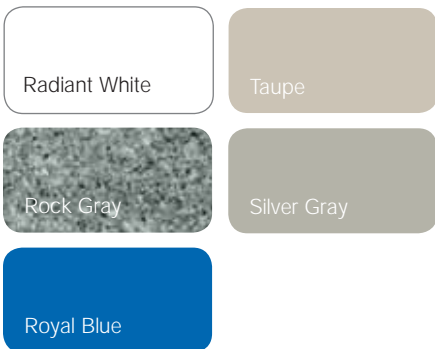
*Add A to the end of the part number to order without an anchor

NOTE: Can be customized with team logos and colors for an additional charge. Call for quote.

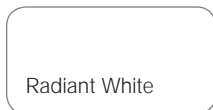
RockSolid Dual Post Anchor



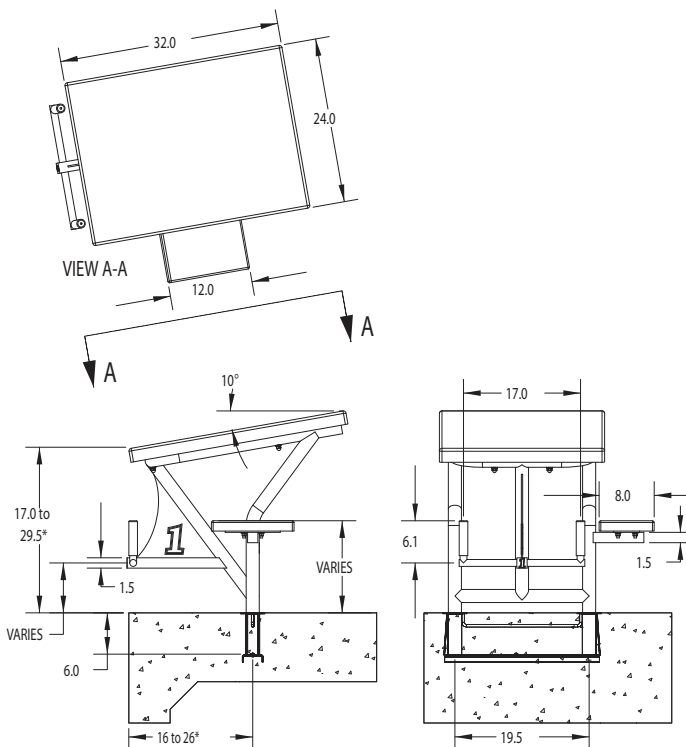
Frame Colors



Tread Color



*Custom colors also available.



RecordQuest™ Starting Platforms



RecordQuest



RecordQuest Long Reach

The RecordQuest is an elite model starting platform available with starting strobes for faster starts.

All RecordQuest starting platforms

- Footboard: 24" wide x 32" deep, gel-coated outer surface with a non-slip SureFoot tread
- The 2.5" square, 304 stainless steel tubing is powder-coated for added corrosion resistance
- Choose from 4 different backstroke handle designs, see page 111
- Use with the RockSolid anchor that eliminates platform rocking, allowing swimmers to have more consistent starts
- Meets FINA, NCAA, NFSHSA, USMS, USAS and competition pool rules and regulations

RecordQuest Standard

- Setback: 21" to 26" anchor set back
- Height: 17" to 29.5" from deck edge to top front edge of platform

RecordQuest Long Reach

The solution for pools with wide or parapet gutter systems

- Setback: 30" to 40" anchor set back
- Height: 20" to 29.5" from deck edge to top front edge of platform

Strobe Lights

All highly competitive Starting Platforms are available with optional strobe lights



8-837 – 10' strobe light cable
8-838 – 30' strobe light cable
8-840 – strobe interface box

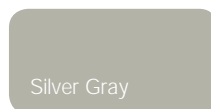
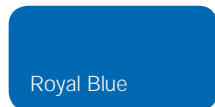
| Item No. | Description | Shipping Wt. | L | W | H |
|---------------|--|--------------------------|--------|--------|--------|
| CH-SP-9999-01 | RecordQuest with anchor, no Strobe | 90 lbs. (2 boxes) | 45" 8" | 27" 8" | 30" 6" |
| CH-SP-9999-11 | RecordQuest – 1 Strobe with anchor | 90 lbs. (2 boxes) | 45" 8" | 27" 8" | 30" 6" |
| CH-SP-9999-21 | RecordQuest – 2 Strobes with anchor | 90 lbs. (2 boxes) | 45" 8" | 27" 8" | 30" 6" |
| CHLR1-9999-01 | RecordQuest Long Reach with anchor, no Strobes | varies, call for details | | | |
| CHLR1-9999-11 | RecordQuest Long Reach – 1 Strobe with anchor | varies, call for details | | | |
| CHLR1-9999-21 | RecordQuest Long Reach – 2 Strobes with anchor | varies, call for details | | | |
| 8-618 | No strobe replacement footboard | | | | |
| 8-619 | 1 strobe replacement footboard | | | | |
| 8-621 | 2 strobe replacement footboard | | | | |
| 27-107 | RockSolid Anchor | | 8" | 8" | 6" |
| 20-191 | Safety Cap for Anchor | 1 lb. | | | |

*Add A to the end of the part number to order without an anchor

*The RecordQuest is available in different combinations including and excluding strobes and anchors.

NOTES: Wiring and interface box not included. Order separately. Number of steps (1 or 2) will vary depending on setback and height of starting platform. Can be customized with team logos and colors for an additional charge. Call for quote.

Frame Colors



Tread Colors



Custom colors also available.

New! Optional Side Handles

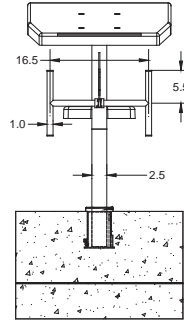
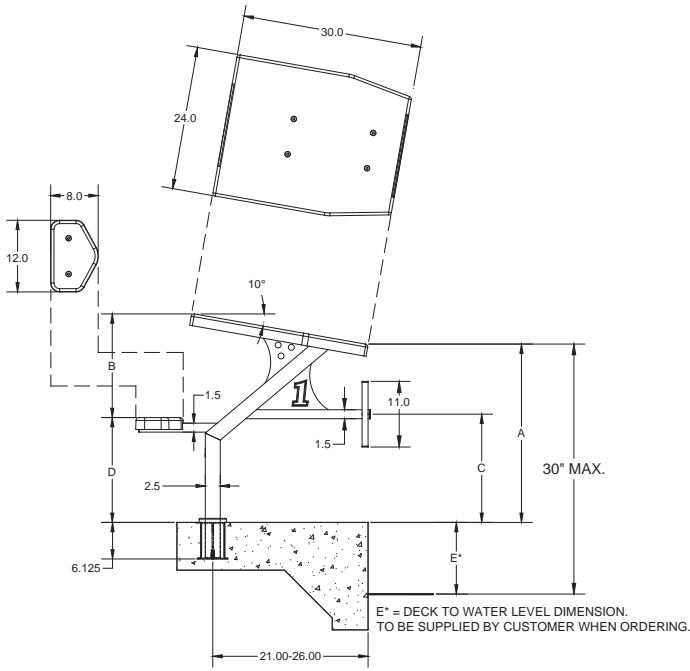
p/n 4-170A

Offers an additional starting technique option for advanced swimmers.



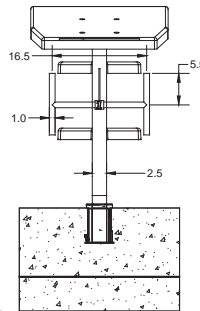
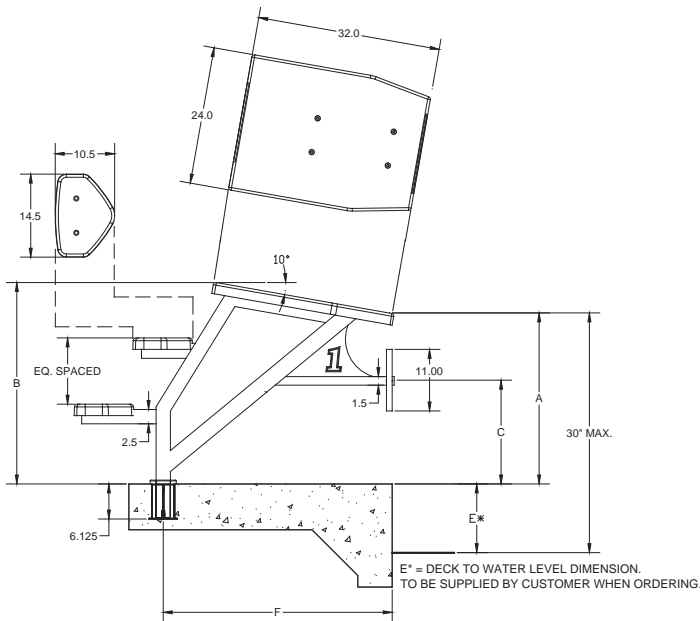
Custom colors also available.

RecordQuest



| PART NUMBER | A* | B | C | D |
|-------------|------|-------|-------|-------|
| CH26-30 | 30 | 17.42 | 18.00 | 17.50 |
| CH26-29.5 | 29.5 | 17.42 | 17.50 | 17.00 |
| CH26-29 | 29 | 17.42 | 17.00 | 16.50 |
| CH26-28.5 | 28.5 | 17.42 | 16.50 | 16.00 |
| CH26-28 | 28 | 17.42 | 16.00 | 15.50 |
| CH26-27.5 | 27.5 | 17.42 | 15.50 | 15.00 |
| CH26-27 | 27 | 17.42 | 15.00 | 14.50 |
| CH26-26.5 | 26.5 | 17.42 | 14.50 | 14.00 |
| CH26-26 | 26 | 17.42 | 14.00 | 13.50 |
| CH26-25.5 | 25.5 | 17.42 | 13.50 | 13.00 |
| CH26-25 | 25 | 17.42 | 13.00 | 12.50 |
| CH25-24.5 | 24.5 | 15.46 | 12.50 | 14.00 |
| CH25-24 | 24 | 15.46 | 12.00 | 13.50 |
| CH24-23.5 | 23.5 | 14.96 | 11.50 | 13.50 |
| CH24-23 | 23 | 14.96 | 11.00 | 13.00 |
| CH23-22.5 | 22.5 | 13.71 | 10.50 | 13.75 |
| CH23-22 | 22 | 13.71 | 10.00 | 13.25 |
| CH23-21.5 | 21.5 | 13.71 | 9.50 | 12.75 |
| CH23-21 | 21 | 13.71 | 9.00 | 12.25 |
| CH23-20.5 | 20.5 | 13.71 | 8.50 | 11.75 |
| CH23-20 | 20 | 13.71 | 8.00 | 11.25 |
| CH22-19.5 | 19.5 | 12.71 | 7.50 | 11.75 |
| CH22-19 | 19 | 12.71 | 7.00 | 11.25 |
| CH22-18.5 | 18.5 | 12.71 | 6.50 | 10.75 |
| CH21-18 | 18 | 11.46 | 6.00 | 11.50 |
| CH21-17.5 | 17.5 | 11.46 | 5.50 | 11.00 |
| CH21-17 | 17 | 11.46 | 5.00 | 10.50 |

RecordQuest Long Reach



| PART NUMBER | A | B | C | F* |
|--------------------------|------|-------|-------|------------|
| CH30-30 thru CH40-30 | 30 | 35.00 | 18.00 | 30 thru 40 |
| CH30-29.5 thru CH40-29.5 | 29.5 | 34.50 | 17.50 | 30 thru 40 |
| CH30-29 thru CH40-29 | 29 | 34.00 | 17.00 | 30 thru 40 |
| CH30-28.5 thru CH40-28.5 | 28.5 | 33.50 | 16.50 | 30 thru 40 |
| CH30-28 thru CH40-28 | 28 | 33.00 | 16.00 | 30 thru 40 |
| CH30-27.5 thru CH40-27.5 | 27.5 | 32.50 | 15.50 | 30 thru 40 |
| CH30-27 thru CH40-27 | 27 | 32.00 | 15.00 | 30 thru 40 |
| CH30-26.5 thru CH40-26.5 | 26.5 | 31.50 | 14.50 | 30 thru 40 |
| CH30-26 thru CH40-26 | 26 | 31.00 | 14.00 | 30 thru 40 |
| CH30-25.5 thru CH40-25.5 | 25.5 | 30.50 | 13.50 | 30 thru 40 |
| CH30-25 thru CH40-25 | 25 | 30.00 | 13.00 | 30 thru 40 |
| CH30-24.5 thru CH40-24.5 | 24.5 | 29.50 | 12.50 | 30 thru 40 |
| CH30-24 thru CH40-24 | 24 | 29.00 | 12.00 | 30 thru 40 |
| CH30-23.5 thru CH40-23.5 | 23.5 | 28.50 | 11.50 | 30 thru 40 |
| CH30-23 thru CH40-23 | 23 | 28.00 | 11.00 | 30 thru 40 |
| CH30-22.5 thru CH40-22.5 | 22.5 | 27.50 | 10.50 | 30 thru 40 |
| CH30-22 thru CH40-22 | 22 | 27.00 | 10.00 | 30 thru 40 |
| CH30-21.5 thru CH40-21.5 | 21.5 | 26.50 | 9.50 | 30 thru 40 |
| CH30-21 thru CH40-21 | 21 | 26.00 | 9.00 | 30 thru 40 |
| CH30-20.5 thru CH40-20.5 | 20.5 | 25.50 | 8.50 | 30 thru 40 |
| CH30-20 thru CH40-20 | 20 | 25.00 | 8.00 | 30 thru 40 |

* In 2" increments

Varsity Deluxe Starting Platforms



A41795-1



A41796-1

These low-profile starting platforms are ideal for swimmers that are just learning to start off a platform.

- Order the 18" model when your water depth is 4'-6' and your deck to water dimension is 6" or less.
- Order the 30" model when your water depth is 6' or more and your deck to water dimension is 12" or less.
- Setback: 26.5" anchor set back
- Height: 12" to 29.5" from deck edge to top front edge of platform
- Footboard: 22" wide x 22" deep, sanded tread for safety
- 1.90", 316L stainless steel tubing
- Meets FINA, NCAA, NFSHSA, USMS, USAS and competition pool rules and regulations
- Custom heights are available

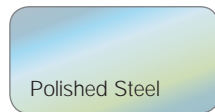
| Item No. | Description | Shipping Wt. | L | W | H |
|----------|------------------------------|--------------|-----|-----|-----|
| A41795-1 | 18" Deluxe Starting Platform | 44 lbs. | 32" | 34" | 22" |
| A41796-1 | 30" Deluxe Starting Platform | 49 lbs. | 35" | 32" | 24" |
| A40190-5 | Replacement Footboard | | | | |

NOTE:
Lane markers (#0-9 only) are optional

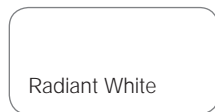
A41659-0 Flush Anchor (pair)
Anchors are included in the starting platform part numbers listed above.



Frame Color

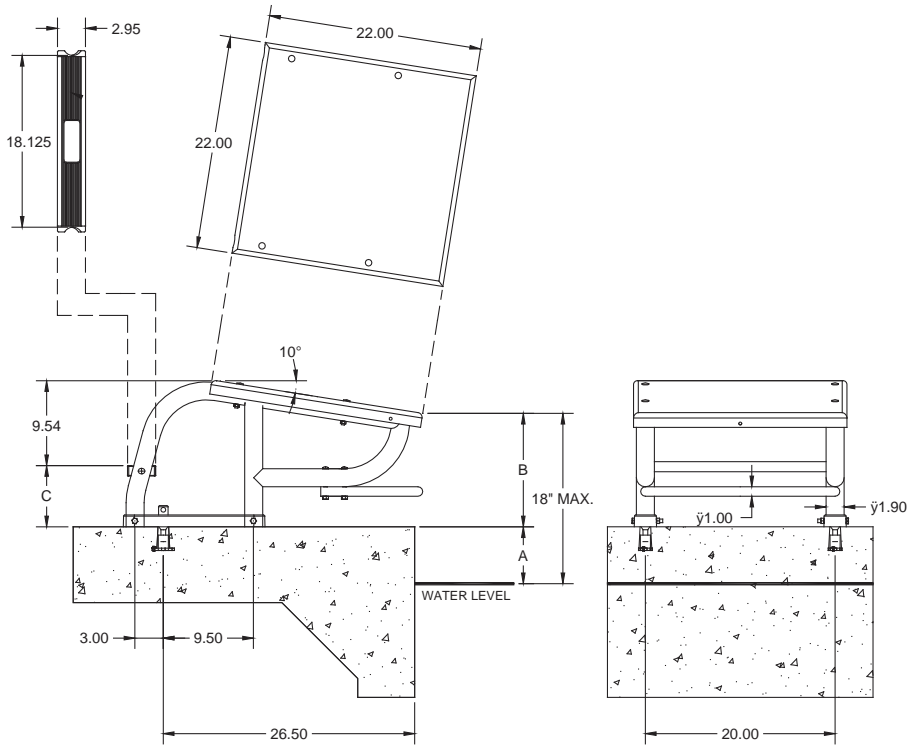


Tread Colors



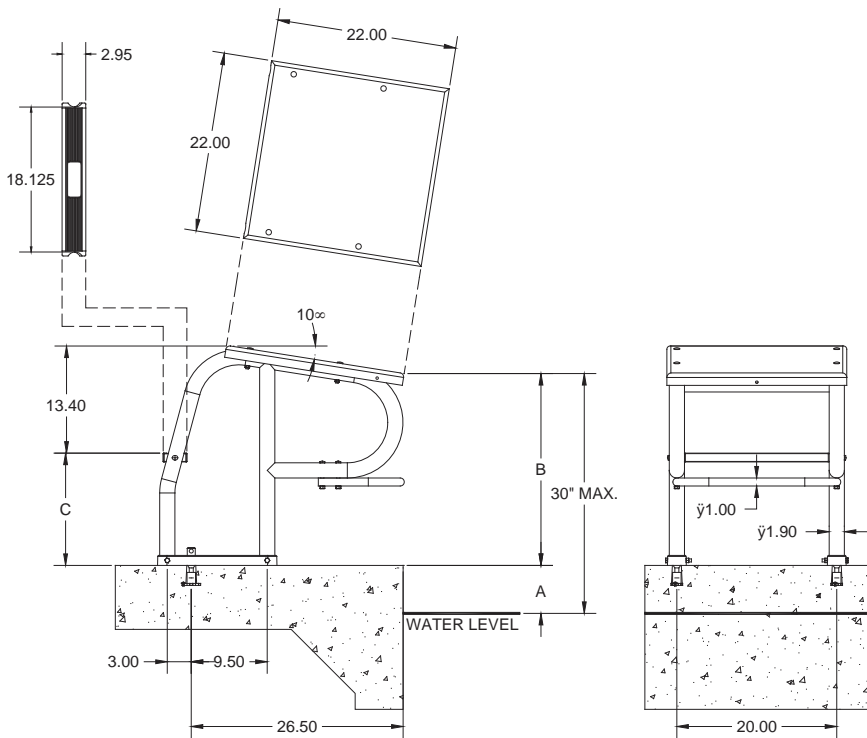
*Custom colors also available.

Varsity Deluxe 18" maximum (from water)



| A | B | C |
|-----|-------|-------|
| 0.0 | 18.00 | 11.61 |
| 0.5 | 17.50 | 11.11 |
| 1.0 | 17.00 | 10.61 |
| 1.5 | 16.50 | 10.11 |
| 2.0 | 16.00 | 9.61 |
| 2.5 | 15.50 | 9.11 |
| 3.0 | 15.00 | 8.61 |
| 3.5 | 14.50 | 8.11 |
| 4.0 | 14.00 | 7.61 |
| 4.5 | 13.50 | 7.11 |
| 5.0 | 13.00 | 6.61 |
| 5.5 | 12.50 | 6.11 |
| 6.0 | 12.00 | 5.61 |

Varsity Deluxe 30" maximum (from water)



| A | B | C |
|------|-------|-------|
| 0.0 | 30.00 | 19.75 |
| 0.5 | 29.50 | 19.25 |
| 1.0 | 29.00 | 18.75 |
| 1.5 | 28.50 | 18.25 |
| 2.0 | 28.00 | 17.75 |
| 2.5 | 27.50 | 17.25 |
| 3.0 | 27.00 | 16.75 |
| 3.5 | 26.50 | 16.25 |
| 4.0 | 26.00 | 15.75 |
| 4.5 | 25.50 | 15.25 |
| 5.0 | 25.00 | 14.75 |
| 5.5 | 24.50 | 14.25 |
| 6.0 | 24.00 | 13.75 |
| 6.5 | 23.50 | 13.25 |
| 7.0 | 23.00 | 12.75 |
| 7.5 | 22.50 | 12.25 |
| 8.0 | 22.00 | 11.75 |
| 8.5 | 21.50 | 11.25 |
| 9.0 | 21.00 | 10.75 |
| 9.5 | 20.50 | 10.25 |
| 10.0 | 20.00 | 9.75 |
| 10.5 | 19.50 | 9.25 |
| 11.0 | 19.00 | 8.75 |
| 11.5 | 18.50 | 8.25 |
| 12.0 | 18.00 | 7.75 |

Universal Starting Platform

The Universal is a premium starting platform appropriate for beginning swimmers to world class athletes.

- Setback: 21" to 26" anchor set back
- Height: 19" to 29.5" from deck edge to top front edge of platform
- Footboard: 24" wide x 32" deep, high impact, laminated core reinforced with fiberglass in an acrylic skin with a non-slip SureFoot tread
- The 2.5" square, 304 stainless steel tubing is powder-coated for added corrosion resistance
- Choose from 4 different backstroke handle designs, see page 111
- Use with the RockSolid anchor that eliminates platform rocking, allowing swimmers to have more consistent starts
- Meets FINA, NCAA, NFSHSA, USMS, USAS and competition pool rules and regulations

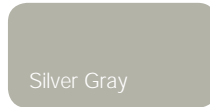
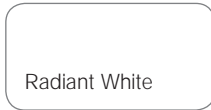


| Item No. | Description | Shipping Wt. | L | W | H |
|-----------|---|--------------|---------------------------|---|---|
| USB-9999A | Universal Starting Platform (no anchor) | 100 lbs. | varies — call for details | | |
| 27-107 | RockSolid Anchor | 8 lbs. | 8 | 8 | 6 |

NOTE: Can be customized with colored tread for an additional charge. Call for quote.

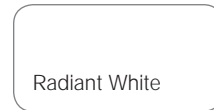
New! Optional Side Handles
p/n 4-170A
Offers an additional starting technique option
for advanced swimmers.

Frame Colors



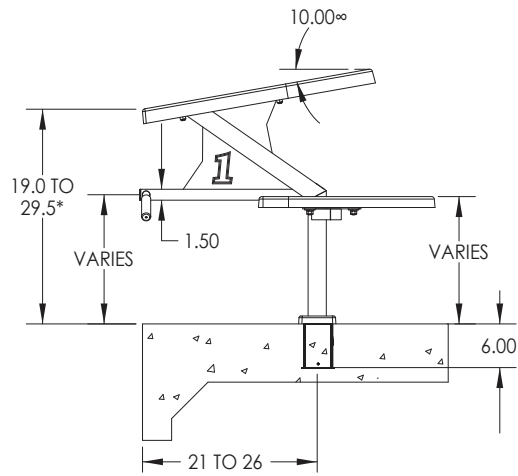
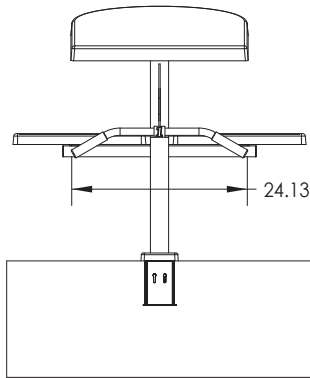
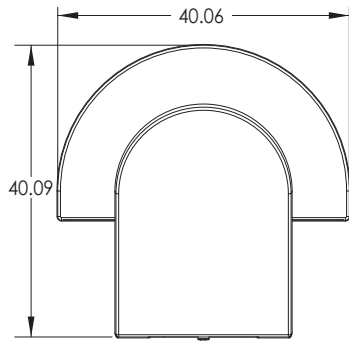
Custom colors also available.

Tread Colors



Custom colors also available.

Universal Starting Platform



Accessories



RockSolid Dual Post Anchor



RockSolid Anchor Safe-T-Cap



RockSolid™ Anchor

Never worry about loose platforms again! We have created a new anchor system with a “no wobble” guarantee.

The anchor securely “hugs” the frame and can be tightened with minimal effort. The RockSolid™ Anchor allows for permanent or removable starting platform installation.

- Heavy duty welded 304 stainless steel construction
- Fully adjustable wedge assembly will expand and exert continuous, even pressure on the platform post to prevent starting platform movement
- Standard or optional safety anchor cap can be used when starting platform is removed
- Anchor cap removal tool included
- Grounding lug

RockSolid™ Anchor Safe-T-Cap (optional)

- Heavy duty welded 304 stainless steel construction
- Utilizes same wedge bolt to tighten and secure in place
- Sits flush to the deck when in place

| Item No. | Description | Shipping Wt. | L | W | H |
|----------|-----------------------------|--------------|-----|-----|----|
| 27-107 | RockSolid™ Anchor and Cap | 8 lbs. | 8" | 8" | 6" |
| 27-108 | RockSolid™ Dual Post Anchor | 15 lbs. | 25" | 10" | 3" |
| 27-109 | Anchor Set Tool | | | | |
| 4-113-1 | Standard Anchor Cap | 1 lb. | | | |
| 20-191 | Safe-T-Cap Anchor Cap | 3 lbs. | 8" | 8" | 6" |
| 20-241 | Wedge Assembly | 1 lb. | | | |

Starting Platform Covers

Domed acrylic starting platform safety covers prevent people from mounting starting platforms when not in use. Large warning messages cover all four sides. Bungee cords on two opposite corners help to keep the cover secure on the starting platform.



| Item No. | Description | Shipping Wt. | L | W | H |
|----------------|--|--------------|---|---|---|
| BLCVR-2432-GRY | 24" x 32" Starting Block Cover - Gray | | | | |
| BLCVR-2432-WHT | 24" x 32" Starting Block Cover - White | | | | |

New! Side Handles

Offers an additional starting technique option for advanced swimmers. Can be retrofitted onto Legacy, Legacy Long Reach, Legacy Side Mount, Legacy Launch, RecordQuest, RecordQuest Long Reach, RecordQuest Side Mount, and Universal Starting Platform.



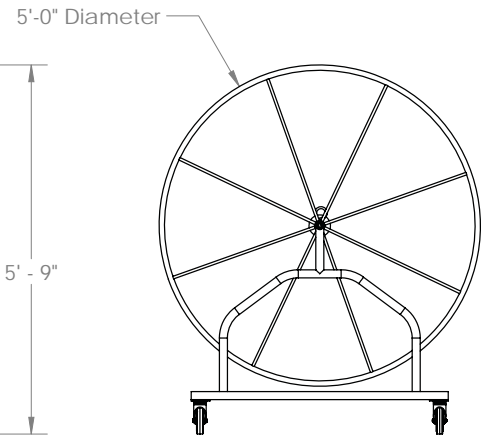
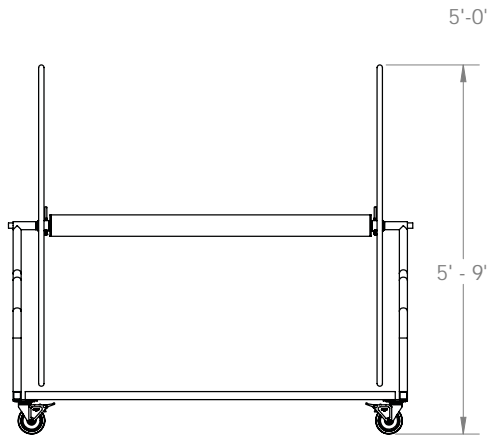
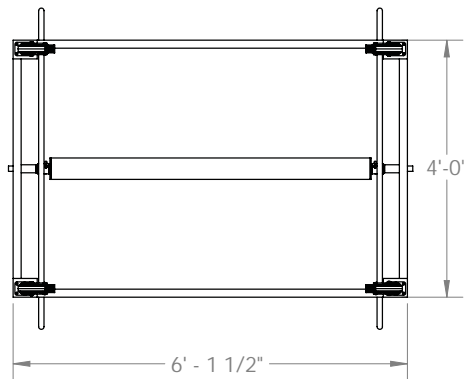
| Item No. | Description | Shipping Wt. | L | W | H |
|----------|-------------|--------------|---|---|---|
| 4-170A | Side Handle | | | | |

Lane Line Storage Reel



- Holds 985 ft/300 m of 4" diameter or 575 ft/175 m of 6" diameter lane lines — more than any other storage reel on the market
- Made from powder coated stainless steel — reduces corrosion
- Heavy duty, non-marking and locking casters can swivel 360° — easy to maneuver
- Optional cover sold separately — protects reel and lines from the elements

| Item No. | Description | Weight |
|----------|------------------------------|----------|
| 36000 | Lane Line Storage Reel | 160 lbs. |
| 36100 | Lane Line Storage Reel Cover | 20 lbs. |





WetDek Splash Pad Kit



The WetDek is part of the latest trend in zero-depth interactive water features that can be made into backyard splash parks, elegant fountain displays, poolside attractions or soothing water features designed for the landscaping

- Available in 6, 9, or even 12 jet kits
- Water spouts can be adjusted to spray water from a few inches to over 12 feet into the air
- The AquaDirector (control box) can be powered by any of the leading control systems, such as EasyTouch and Intellitouch.
- WetDek is flexible enough that you can customize them for use in commercial applications. Check your local codes for requirements.

| Model No. | Description | Shipping Wt. | L | W | H |
|------------|--------------------|--------------|-----|-----|-----|
| 938-339-6 | 6 Jet Stand Alone | 175 lbs. | 32" | 40" | 55" |
| 938-339-9 | 9 Jet Stand Alone | 180 lbs. | 32" | 40" | 55" |
| 938-339-12 | 12 Jet Stand Alone | 185 lbs. | 32" | 40" | 55" |
| 938-335-6 | 6 Jet, Pool Kit | 35 lbs. | 24" | 12" | 11" |
| 938-335-9 | 9 Jet, Pool Kit | 40 lbs. | 24" | 12" | 11" |
| 938-335-12 | 12 Jet, Pool Kit | 45 lbs. | 24" | 12" | 11" |

Contact our WetDek expert today at 877.493.8335

Components

| Model No. | Description | Shipping Wt. |
|-----------|----------------------------|--------------|
| 30011 | AquaDirector control box | 6 lbs. |
| 31005 | Bronze jet, 5/16" nozzle | 1 lb. |
| 31006 | Bronze jet, 1/4" nozzle | 1 lb. |
| 30007 | Globe valve | |
| 30004 | 150 gallon reservoir | |
| 30013 | 8" plastic drain | |
| 30014 | 6" ABS to 4" PVC converter | |



Bronze Deck Jet



Anchors & Anchor Accessories

Universal Anchor

- 6" deep, includes 2" spacer to create 4" socket where required
- Injection molded plastic — resists corrosion
- Includes bronze wedge with stainless steel bolt and 1/4-20 UNC ground screw
- Anchor cap included for flush look
- Recommended for rails and games

| Part No. | Description | Shipping Wt. |
|----------|-------------|--------------|
| AS-100P | 1 anchor | 1 lb |



6" Bronze Anchor

- This anchor does not utilize any wedges
- The anchor cap provides a flush look when games are removed
- 1/4-20 UNC brass ground screw for bonding
- Recommended for games

| Part No. | Description | Shipping Wt. |
|----------|-------------------------|--------------|
| AS-100EB | 1 socket w/o cover | 2 lbs |
| AS-100EC | Bronze perforated cover | .5 lb |



6" Bronze Anchor

- 6" deep
- Drilled hole in bottom allows drainage
- No wedge, but includes 1/4-20 UNC ground screw
- Accommodates 1.90" OD round tubing
- Anchor cap included for flush look
- Recommended for games

| Part No. | Description | Shipping Wt. |
|----------|----------------|--------------|
| AS-100D | 1 anchor | 2.2 lbs |
| 8-412 | Cap (included) | .5 lb |



4" Bronze Anchor

- 4" deep
- Accommodates 1.90" OD tubing
- Includes bronze wedge, washer, bolt and 1/4-20 UNC grounding bolt
- Recommended for rails

| Part No. | Description | Shipping Wt. |
|----------|----------------------|--------------|
| AS-100B | 1 anchor | 2 lbs |
| 8-409A | Wedge kit (included) | 1 lb |



RockSolid™ Starting Platform Anchor

- Accommodates 2.5" square tubing
- Adjustable wedge assembly exerts continuous, even pressure on the platform post to eliminate platform movement
- Anchor cap included
- Safe-T-Cap: utilizes the anchor's wedge bolt to tighten and secure in place.
- Recommended for single-post starting platforms: Legacy, RecordQuest & Universal

| Part No. | Description | Shipping Wt. |
|----------|------------------|--------------|
| 27-107 | 1 anchor | 5 lbs |
| 4-113-1 | Anchor cap | 1 lb |
| 20-191 | Safe-T-Cap | 3 lbs |
| 27-109 | Anchor Set Tool* | |

*Must use anchor set tool to ensure proper installation



RockSolid™ Dual Post Starting Platform Anchor

- Accommodates 1.90" OD round tubing
- Adjustable wedge assembly exerts continuous, even pressure on the platform post to eliminate platform movement
- Anchor caps included
- Recommended for Legacy II starting platforms

| Part No. | Description | Shipping Wt. |
|----------|--------------|--------------|
| 27-108 | 1 anchor set | 15 lbs |



Dual Post Starting Platform Anchor

- Accommodates 1.90" OD round tubing
- Includes a 1/4-20 UNC grounding screw
- Anchor caps included
- Recommended for: Legacy II standard only

| Part No. | Description | Shipping Wt. |
|----------|--------------|--------------|
| 27-105 | 1 anchor set | 5 lbs |



Double Anchor Socket Assembly

- Accommodates 1 5/8" OD ring rails
- Includes bronze wedge, nuts, washers, 1/4-20 UNC grounding screw and escutcheons
- Recommended for residential and commercial ring handrails

| Part No. | Description | Shipping Wt. |
|----------|---------------------------------------|--------------|
| 34-305A | Aluminum anchor | 10 lbs |
| 34-306A | Bronze anchor | 13 lbs |
| 8-415A | Gibraltar Wedge Retro-fit kit | 1 lb |
| 8-420 | Double escutcheon plate | 1 lb |
| 8-420-CP | Chrome plated double escutcheon plate | 1 lb |
| 4-111 | Stabilizer plug | .5 lb |



Snap-Tite Escutcheon

- High-density plastic
- 5³/₁₆" in diameter
- For use with 1.90" OD tubing
- Recommended for rails and games

| Part No. | Description | Shipping Wt. |
|-----------|-------------|--------------|
| EP-200-MC | Chrome | .25 lb |
| EP-200-PW | Pearl White | .25 lb |



Round Escutcheon (1.50")

- 304 stainless steel
- 4.5" in diameter
- For use with 1.50" OD tubing

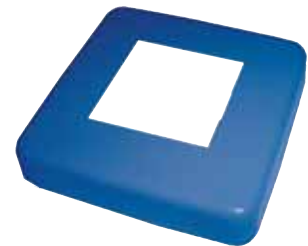
| Part No. | Description | Shipping Wt. |
|----------|--------------|--------------|
| EP-150 | 1 escutcheon | .5 lb |



RecordQuest™ Escutcheon

- 304 stainless steel, powder coated
- 5.25" square
- For use with RecordQuest starting platforms

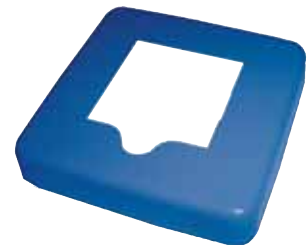
| Part No. | Description | Shipping Wt. |
|-----------|--------------|--------------|
| EP-300-RB | 1 escutcheon | .5 lb |



RecordQuest™ Long Reach Escutcheon

- 304 stainless steel, powder coated
- 5.25" square
- For use with RecordQuest Long Reach starting platforms

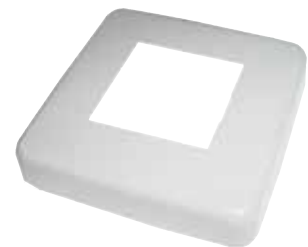
| Part No. | Description | Shipping Wt. |
|-----------|--------------|--------------|
| EP-305-RB | 1 escutcheon | .5 lb |



Legacy Escutcheon

- 304 stainless steel, powder coated
- 5.25" square
- For use with Legacy single-post starting platforms

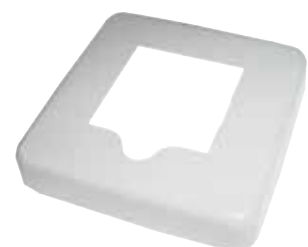
| Part No. | Description | Shipping Wt. |
|-----------|--------------|--------------|
| EP-300-SG | 1 escutcheon | .5 lb |



Legacy Long Reach Escutcheon

- 304 stainless steel, powder coated
- 5.25" square
- For use with Legacy Long Reach single-post starting platforms

| Part No. | Description | Shipping Wt. |
|-----------|--------------|--------------|
| EP-305-SG | 1 escutcheon | .5 lb |



20" Elite Stainless Steel Tread (15° tilt)

- 304 stainless steel
- 3" deep x 20" wide, 18¹/₄" centerline mounting distance
- 15° forward tilt when properly installed
- Recommended for lifeguard stands

| Part No. | Description | Shipping Wt. |
|----------|----------------------|--------------|
| LTDF-105 | 1 tread | 1 lb |
| 60-701 | 2-tread bolt package | .5 lb |
| 60-702 | 3-tread bolt package | .75 lb |



20" Plastic Tread

- High-impact plastic
- 4" deep x 20" wide, 18" centerline mounting distance
- Available in 2, 3, 4, or 5 step kits
- Includes hardware
- Recommended for commercial ladders

| Part No. | Description | Shipping Wt. |
|-----------|-------------------------------|--------------|
| LTDF-106 | 1 tread | 1 lb |
| 8-932 | 2-step kit, hardware | 6 lbs |
| 8-933 | 3-step kit, hardware | 7 lbs |
| 8-934 | 4-step kit, hardware | 8 lbs |
| 8-935 | 5-step kit, hardware | 10 lbs |
| 52470-102 | Tread w/15° tilt and hardware | 3 lbs |
| 2350105 | Tread w/15° tilt, only | 2.2 lbs |



Hinged Ladder Anchor

- Stainless steel hinge bracket pair
- Allows raising and lowering of new and existing ladders
- Installation requires 4" to be cut off of ladder
- Recommended for residential ladders
- Goes in 4" anchor: AS-100B

| Part No. | Description | Shipping Wt. |
|----------|----------------------|--------------|
| A41657-0 | Hinged ladder anchor | 3.8 lbs |
| 2463050 | Hinge pin, female | .5 lb |
| 2463060 | Set screw | .5 lb |
| 2463070 | Hinge pin, male | .5 lb |



Snap-Lok Hinge Bracket Assembly

- Stainless steel hinge bracket pair
- Retrofits existing ladders for raising and lowering
- Installation requires 4" to be cut off of ladder
- Recommended for Snap-lok ladders
- Goes in 4" anchor: AS-100B

| Part No. | Description | Shipping Wt. |
|----------|---|--------------|
| 60-713 | 1 pair | 4 lbs |
| 5-116 | 3/8 -16 x 2 ¹ / ₂ " HH bolt | .1 lb |
| 5-145 | 3/8" flat washer | .1 lb |
| 5-156 | 3/8-16 acorn nut | .1 lb |
| 8-118 | Double button snap lock | .1 lb |



Stand Tread Repair Kit

- For repairing minor damage to diving board tread
- Includes sandpaper, masking tape and gel coat

| Part No. | Description | Shipping Wt. |
|--------------|-------------|--------------|
| 67-209-9242 | White | .75 lb |
| 67-209-9243 | Marine Blue | .75 lb |
| 67-209-92421 | Silver Gray | .75 lb |
| 67-209-92420 | Pewter Gray | .75 lb |
| 67-209-92410 | Taupe | .75 lb |



Epoxy Kits

- Use to repair or install a diving board on an existing deck
- Includes epoxy resin, hardener and mounting bolts
- Recommended for diving board stands

| Part No. | Description | Stand | Shipping Wt. |
|----------------|-----------------------------|-----------------------------------|--------------|
| 75-209-5868-SS | Kit with (4) 6"x1/2" bolts | Cantilever | 4 lbs |
| 75-209-5869-SS | Kit with (3) 6"x5/8" bolts | Frontier II | 4 lbs |
| 75-209-5874-SS | Kit with (5) 6"x1/2" bolts | 1/2M, 3/4M, 1M, 6 lbs Steel Stand | |
| 75-209-5875-SS | Kit with (6) 6"x1/2" bolts | Steel Meter | 6 lbs |
| 75-209-5876-SS | Kit with (3) 6"x1/2" bolts | Flyte Deck II | 4 lbs |
| 75-209-5885-SS | Kit with (4) 7"x1/2" bolts | Supreme | 4 lbs |
| 75-209-5879-SS | Kit with (4) 9"x1/2" bolts | Paver Kit | 4 lbs |
| 75-209-5880-SS | Kit with (4) 10"x1/2" bolts | Paver Kit | 7 lbs |
| 75-209-5889-SS | Kit with (3) 9"x1/2" bolts | Paver Kit | 8 lbs |
| 75-209-5890-SS | Kit with (3) 10"x1/2" bolts | Paver Kit | 8 lbs |



Shipping Information

| L | W | H |
|---|---|---|
| 8 | 8 | 6 |

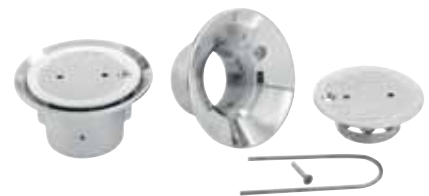
Note: shipped UPS Hazardous

Circulation System Parts

Circular Flow Inlet Fittings

- Chrome plated cast brass
- Allows easy adjustment of flow rate and ensures smooth, even flow through return
- Includes lock screw and adjustment wrench

| Part No. | Description | Shipping Wt. |
|----------|--|--------------|
| A41014-0 | 1 outer body (2406600), control plate (A41497-0), and lock screw | 1.5 lbs |



Radiant Flow Inlet Fittings

- Chrome plated cast brass
- Features tamper-resistant adjustment screws
- Includes outer body, inner and outer control plates and three lock screws

| Part No. | Description | Shipping Wt. |
|----------|---|--------------|
| A41020-0 | 1 outer body (2402490), 2.4 lbs inner control plate, outer control plate, 3 lock screws | |
| A41473-0 | 1 inner plate, outer plate, 3 lock screws | 1 lb |



Uni-Fit Maximum Protection 90° Drains & Grates

- 2¹/₈" x 5³/₈", 2" drain opening
- Chrome-plated cast brass
- Includes drain, grate, and four tamper-resistant screws

| Part No. | Description | Shipping Wt. |
|----------|--|--------------|
| A41035-0 | Drain and grate, includes 2.5 lbs 1 90° grate (2401520) 1 90° gutter drain (2401540) 4 tamper resistant screws (2024207) | |



Deck Boxes

- Chrome-plated cast brass
- Approximately 3" deep, 3" ID
- UL and CSA International seals for quality in design

| Part No. | Description | Shipping Wt. |
|----------|---|--------------|
| A41192-0 | Box with 3/4" openings | 2.6 lbs |
| A41192-1 | Box with 3/4" side openings and 1" bottom opening | 2.6 lbs |
| A41192-2 | Box with 1" openings | 2.6 lbs |
| A41496-0 | Hardware kit | .6 lb |

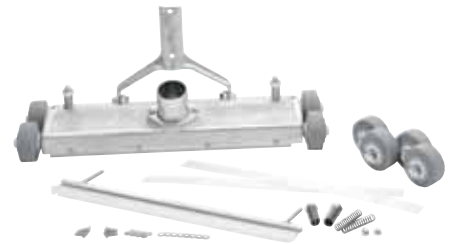


Vacuum Parts

Suck-It-Up™ Commercial Vacuum Head

- Chrome-plated cast brass
- 18" long x 5.5" wide
- Front and rear plastic wipers and nylon brush
- Available with threaded control or open control yoke
- Available for 1.5" or 2" vacuum hose diameter

| Part No. | Description | Shipping Wt. |
|----------|---|--------------|
| A41345-0 | Head, 2" connector, threaded yoke | 13.7 lbs |
| A41346-0 | Head, 1.5" connector, open control yoke | 13.7 lbs |
| A41347-0 | Head, 2" connector, open control yoke | 13.7 lbs |
| A41460-0 | 1.5" hose adapter kit | .85 lb |
| A41461-0 | 2" hose adapter kit | .7 lb |
| A41462-0 | Threaded control yoke | 1.25 lb |
| A41463-0 | Open control yoke | 1.25 lb |
| A41486-1 | Wheel replacement kit | 1.25 lb |
| A41487-0 | Brusher/wiper replacement kit | 1 lb |



Flush Anchor and Eyebolt Racing Line

- Cast brass anchor and threaded stainless steel eyebolt
- Eye has 2" OD
- Eye extends 2.5" beyond face of wall when completely inserted in anchor

| Part No. | Description | Shipping Wt. |
|----------|-------------------|--------------|
| A41144-0 | 1 anchor, eyebolt | .5 lb |
| 2400240 | 1 anchor | .25 lb |
| 2400220 | 1 eyebolt | .25 lb |



Rope Arrow Eyebolt Anchor™

- Chrome-plated cast brass
- 4" long, 1.5" installed
- Eye has 1.38" OD

| Part No. | Description | Shipping Wt. |
|----------|-------------|--------------|
| A41138-0 | 1 eyebolt | .25 lb |



Product Care & Maintenance

Pool Rails and Ladders

Stainless Steel

Stainless steels are iron-based alloys that contain chromium, which combines with oxygen to form an invisible protective film on the surface; however it is not entirely stainless. With proper care, your stainless steel pool rails and ladders will provide years of service.

1. Regularly inspect and thoroughly clean mounting hardware, replacing when needed. Corrosion is common in crevices, weld points, under gaskets, and bolt heads, where small amounts of liquid can collect and become stagnant.
2. Routine cleaning is the only way to maintain the protective film on your stainless steel pool rails and ladders and prevent rust. Rust and corrosion occur when contaminants become trapped and embedded in the protective film.
3. Use warm water, a gentle soap or detergent and a soft cloth to briskly rub along the polish lines of the steel. Always be sure to thoroughly rinse after cleaning.
4. So-called "stainless steel cleaners" may scratch the surface and contain bleach, which can dull the surface

For stubborn spots: Allen Polish, Arcal 20, Bon Ami®, Cameo Stainless Steel Cleaner, Copper-Brite, Highlite, Lac-O-New, Liquid Nu Steel, Lumin Cleaner, O'Cedar Cream Polish, Penny-Brite, Revere Ware Cleaner®, Sta-Clean, Stainless Shine and Twinkle.

For extra-stubborn spots (these may scratch the surface): 3M® Stainless Steel Cleaner and Polish, Ajax®, Allchem, Concentrated Cleaner, Comet®, Goddard's Stainless Steel Care, Old Dutch, Soft Scrub®, Zud Restoro.

Powder Coated

Follow the above procedures for inspecting and maintaining stainless steel pool rails and ladders that are powder coated. For stubborn spots, you may use Formula 409.

SealedSteel

Follow the above procedures for inspecting and maintaining SealedSteel rails and ladders. To clean, you may use alcohol or other common household cleaners such as Formula 409, Lysol® or Pine-Sol®.

Pool Slides

S.R.Smith swimming pool slides will not fade and will provide years of fun for your family with the proper maintenance.

1. When hosing down your deck, rinse your slide free of any dust, dirt or other debris that may have accumulated.
2. Be sure all connections are secure, and tighten hardware if necessary.
3. "Intended Use" and "Warning" labels should be maintained. If they become faded or unreadable, they should be replaced. Additional labels are available from S.R.Smith upon request.
4. You may also use a non-abrasive soap and water when possible. Always try a test spot of a product before applying to a larger area and read the label instructions on any cleaner carefully before applying it to the slide.

You may safely use: Windex® with Ammonia®, Formula 409®, Fantastik®, Soft Scrub®, Scrubfree, Tackle®, Grass Plus®, Topjob®, Tilex®.

Do not use: Dow with Scrubbing Bubbles®, Lysol® Disinfectant, Ajax® Cleanser, Windex® with vinegar, White Cap®, Ajax® Liquid, Soft Scrub®.

WetDek

Water Testing

It is recommended that you test your WetDek water regularly with an accurate test kit or test strips. These are available from your local Pool & Spa Dealer. Also, be sure to follow chemical manufacturer's instructions for chemical use.

pH Control

All water solutions have pH, which is a measure of the acid to base relationship. A pH reading of 7.0 is neutral, a lower reading is acidic and a higher reading is basic. The proper pH for WetDek water is between 7.4 and 7.6. High pH (above 7.6) can reduce sanitizer efficiency, cloud the water, promote scale formation on surfaces and equipment, and interfere with filter operations. When pH is too high, add a pH decreaser. Low pH (below 7.2) is equally damaging and can cause equipment corrosion, water that is irritating, and rapid sanitizer dissipation. Add pH increaser to bring the pH higher.

It is important to use scale and stain inhibitor weekly to prevent calcium deposits from damaging your WetDek and equipment. If this happens, it could void the warranty. Refer to your chemical handbook for further information on water chemistry and troubleshooting.

Draining the Water

Locate spigot between the chlorinator and valve manifold. Attach garden hose and open valve. The controller should be set to recirculation during draining. Any water that the pump does not remove should be sucked out with a wet/dry vacuum.

Filter Maintenance

At least once a four week, (or more often based on environmental conditions) check and clean the skimmer basket of the pump to insure proper flow. Remove leaves, foreign matter and debris when present. It is also very important to maintain your WetDek filter cartridge clean and free of particles that can obstruct water flow. A clean filter will permit the system to function properly and also allows more efficient filtering. Depending on how frequently your WetDek is used, we recommend cleaning the WetDek filter cartridge every four to six weeks. If this is not done, the filter may clog and restrict water flow, which causes inadequate filtration and poor nozzle performance.

Cleaning the Filter

Carefully pull up the filter cartridge and bring it out of the WetDek. Rinse cartridge using a garden hose. Rotate and separate filter pleats while spraying water to remove all debris possible. Let the filter dry and look for calcium deposits (scaling) or an oil film. If you find these, you will need to deep clean your filter cartridge with a "spa filter cleaning" solution to break down and remove mineral deposits and oils.

Winterization

You must winterize the WetDek when freezing temperatures are expected or if prolonged periods without use are expected; this will help protect all components. Water should be drained from the reservoir in the stand alone model, and water should be cleared from the pump, filter, chlorinator, and all piping. The balls in the nozzles should be rotated so that no water can drain into them and then tightened.

PoolSonix

Periodic testing (at least once a month) of PoolSonix is recommended to ensure the base unit and remote devices are functioning properly. It is also recommended that the batteries in the PoolSonix unit be replaced with alkaline batteries once a year. The solar panel should be kept free of debris and the proper water level of your pool should always be maintained. For more information regarding how to test your PoolSonix unit, please see your installation instructions and owner's manual.

Terms and Conditions of Sale

Introduction

These Terms and Conditions of Sale apply to S.R. Smith, LLC product purchased directly from S.R. Smith, LLC. By purchasing such product(s) Buyer agrees to these Terms and Conditions of Sale. As all statements herein are subject to change, without prior notice, check our website at www.srsmith.com for the latest Terms and Conditions of Sale. If you have questions about this policy, contact our customer service department at 800-824-4387.

Standard terms and conditions of sale

Goods sold by S.R. Smith, LLC are expressly subject to and conditioned upon the terms and conditions set forth below. Any different or additional terms set forth by Buyer, whether in Buyer's purchase order or another communication, are expressly rejected and will not be binding on S.R. Smith, LLC unless agreed to in writing by an authorized officer of S.R. Smith, LLC.

Sales and payment terms: Possession of a price list or other pricing information does not constitute an offer or agreement to sell. All prices, quotations and billing originated by S.R. Smith, LLC are in U.S. Dollars. All taxes, duties or other fees are the responsibility of the Buyer. Payment is due in Net 30 days on approved credit. Until credit is approved, payment must be made with the order. Cash in Advance (CIA) or Credit Cards are acceptable. A service charge of 1.5% per month (Annual percentage rate of 18%) will be charged on all past due accounts.

Acceptable forms of payment: All remittances must be in a single payment in the full amount of the invoice (adjusted for any debit memos approved by S.R. Smith LLC) and must be in accordance with the following requirements, (S.R. Smith, LLC Special Terms and Conditions excluded, ie. Early Buy):

- Wire or electronic fund transfer (referencing invoice number) and Buyer must be the originator of wire.
- Buyer company check (drawn on company account with company name).
- Third-party checks, bank checks, and foreign drafts will be accepted only if approved in advance in writing by the CFO of S.R. Smith, LLC and must have accompanying documentation that references invoices being paid.

Minimum orders: All orders less than \$50.00 will be charged a \$25.00 handling fee.

Security interest: Buyer hereby grants to S.R. Smith, LLC and S.R. Smith, LLC reserves, a purchase money security interest in each product sold by S.R. Smith, LLC to Buyer in the amount of its purchase price. Any such security interest shall be satisfied by payment in full of the invoiced amount. Buyer agrees to execute any and all such documents, including financing statements, as may be necessary for S.R. Smith, LLC to protect such security interest.

Prices: Products and services will be invoiced at prices in effect as of date of shipment (invoice date). Prices are not necessarily valid for other current and future sales. Any and all invoice errors must be disputed within 15 days of invoice date and are subject to correction by S.R. Smith, LLC, at its sole discretion. Prices exclude any present or future federal, state, provincial, local, or other governmental taxes, duties, and tariffs applicable to the sale, transportation, or use of products purchased, all of which taxes, duties, and tariffs shall be paid by Buyer. International sales are subject to applicable transportation and import duties, licenses, and fees, or as agreed to by the purchase order. All prices are FOB shipping point. S.R. Smith, LLC has established a Minimum Advertised Price (MAP) Policy on certain S.R. Smith, LLC products. The policy applies to all reseller and distributors of S.R. Smith, LLC products under applicable laws. For complete details about S.R. Smith, LLC's MAP Policy, please consult your sales representative.

Change in Buyer's financial condition: Buyer agrees to notify S.R. Smith in writing of any material changes to its financial condition.

S.R. Smith, LLC reserves the right to cancel an order or require full or partial payment if (1) solvency of Buyer is in question; (2) Buyer files for bankruptcy; (3) there is an appointment of trustee or receiver for Buyer. S.R. Smith, LLC also reserves the right to cancel Buyer's credit at anytime.

Delivery, title, and risk of loss: All shipments will be FOB shipping point, and title and risk of loss will pass to Buyer when accepted for shipment by the freight company. On-time shipment is dependent upon Buyer promptly supplying all necessary documentation. S.R. Smith, LLC will ship via its preferred carrier. S.R. Smith, LLC reserves the right to make partial shipments unless specifically stated otherwise on Buyer's purchase order. S.R. Smith, LLC will determine the point of shipment. Products may ship from multiple locations.

Excusable delays: S.R. Smith, LLC shall use commercially reasonable efforts to deliver all products ordered by Buyer as soon as reasonably practical. In the event of interruption of any such delivery due to causes beyond the reasonable control of S.R. Smith, LLC, including but not limited to fire, labor disturbances, riots, accidents, or inability to obtain necessary materials or components, S.R. Smith, LLC shall have the right, in its sole discretion and upon oral or written notice to Buyer, to delay or terminate such delivery.

Freight damaged goods: Buyer must inspect all goods before signing the delivery receipt. If goods are obviously damaged, the Buyer should refuse the specified damaged products. If concealed loss or damaged is discovered, report it promptly to the delivery carrier. Follow up with written confirmation to the carrier. Hold shipping cartons and contents for inspection in as close to the same condition as they were when the loss or damage was discovered. If the report is not made within 7 days after delivery, the burden of proof will shift to the consignee (Buyer) and it will then be the responsibility of the Buyer/consignee to prove that the loss or damage did not occur

after the delivery of shipment. All shipments include a consignee form which clearly states that the consignee must refuse shipment if it is damaged. The consignee has 7 days to file a claim with the carrier, and not SR Smith. After 7 days, the consignee accepts full responsibility for any loss or damage of the shipment.

Shortages: Buyer must notify S.R. Smith, LLC Customer Service Department of shortages within 7 business days. All claims for shortages shall be waived and released after 7 business days of receipt. At S.R. Smith, LLC's option, shipment will be fulfilled or a credit will be mailed to Buyer within 30 days of claim receipt.

Product Return Policy

S.R. Smith, LLC products* held for less than ninety (90) days from the ship date may be returned for a credit of the purchase price minus a restocking fee of 25%. All returns must be authorized by the S.R. Smith, LLC warranty department and must have a corresponding RMA (Return Merchandise Authorization) number to qualify for this program. Products returned without the required elements referenced above will be rejected. The sender will be responsible for all freight costs associated with the return. All returns are subject to a restocking fee to cover the cost of returning product to saleable condition. Credit for the returned product, less restocking fee, will not be issued until the returned product(s) have been received, inspected and deemed suitable for resale. No returns will be accepted in the month of December or after the product has been in the possession of the customer for more than ninety (90) days.

*All Custom products and discontinued items are not eligible for returns.

Limitation of Liability

S.R. Smith, LLC's liability to Buyer on any claim of any kind, whether as a result of breach of contract, warranty, indemnity, tort (including negligence), strict liability, or otherwise, for any loss or damage arising out of, connected with, or resulting from the transaction, or from S.R. Smith, LLC's performance or breach thereof, or from the design, manufacture, sale, resale, installation, repair, operation, or use of any products furnished herein, shall in no event exceed the price paid by Buyer for the products which give rise to the claim. Any such liability shall terminate upon the expiration of the applicable warranty period, provided, however, that Buyer's rights to prove title in the products purchased from S.R. Smith, LLC shall not terminate. In no event, whether as a result of breach of contract, warranty, indemnity, tort (including negligence and strict liability), or otherwise, shall S.R. Smith, LLC or its suppliers be liable for any special, consequential, incidental, or penal damages, including but not limited to: loss of profit or revenues; loss of use of the products or any associated equipment; damage to associated equipment; cost of capital, substitute products, facilities, or services; downtime costs; or claims of Buyer's customer for such damage.

Disclaimer: S.R. Smith, LLC does not make any claims or warranties of any kind regarding any security product's potential, ability, or effectiveness to detect, minimize, or in any way prevent death, personal injury, property damage, or loss of any kind whatsoever. S.R. Smith, LLC is not responsible for any death, personal injury, damage, loss, or theft related to the product or its use or for any harm, whether physical or mental, related thereto. S.R. Smith, LLC does not represent that the product may not be compromised and/or circumvented, or that the product will prevent death, personal injury, bodily injury, and/or damage to property of buyer.

Buyer understands that a properly installed and maintained product(s) may only reduce the risk of unauthorized objects or people in the area where the product is installed but is not insurance or a guarantee that such events will not occur or that there will be no death, personal injury, and/or property damage as a result.

Design changes: S.R. Smith, LLC reserves the right to make changes in design of any of its products without incurring any obligation to notify Buyer or to make the same change to units previously purchased.

Export laws: Buyer agrees to comply with all applicable export laws, assurances, codes and license requirements, and controls of the United States and other applicable jurisdictions in connection with the use and resale of S.R. Smith products including Buyer's acceptance of responsibility for the payment of any relevant taxes or duties, etc.

Governing law: These Terms and Conditions of Sale shall be governed by and construed and enforced in accordance with the laws of the State of Oregon. The invalidity or unenforceability of any provision of these Terms and Conditions of Sale by a court of competent jurisdiction, shall not affect the validity of the remainder of these Terms and Conditions of Sale, which shall at all times remain in full force and effect. Any litigation with regard to these Terms and Conditions of Sale shall be brought in the state or federal courts serving Clackamas County in Oregon. Buyer hereby stipulates and consents to the personal jurisdiction of the state and federal courts serving Clackamas County in Oregon.

Limited Warranty

S.R. Smith, LLC warrants to the original retail purchaser that products manufactured by S.R. Smith, when properly assembled and installed in accordance with S.R. Smith's assembly and installation instructions, and properly used and maintained, shall be free from defects in material and workmanship for a period of three (3) years from the date of original manufacture except for the following items: WetDek™ (1 year) and PoolSonix™ (2 years). The original retail purchaser must follow the procedure set forth below when submitting a warranty claim. S.R. Smith will repair or replace, at its option, the product, and return it to the owner freight prepaid. Determination of repair or replacement shall be solely at the discretion of S.R. Smith. Aquatic lift systems, components and batteries have a separate warranty, set forth below.

All Aquatic Lifting Systems have a three (3) year warranty on the frame, excluding the powder coated paint finish, which may become scratched with normal use. All electronic and motor components, with the exception of batteries, have a full two (2) year warranty. Within the warranty period, S.R. Smith will repair or replace any item deemed to be found defective. Lift batteries come with a one-year pro-rated warranty. During the first 90 days of ownership, batteries will be covered 100%. If a battery failure occurs between day 91 and day 365, batteries are covered at 50% of the original cost. Normal maintenance and care of the unit, including charging of the battery when not in use is recommended. Do not store the unit, battery or components near or around chemicals.

The warranty is non-transferable and is subject to the following terms and conditions (View complete S.R. Smith Terms & Conditions):

S.R. Smith shall not be responsible for the cost of removal or replacement of any defective S.R. Smith product, nor for any other expenses or for damages which might be incurred in such removal and replacement.

This warranty specifically excludes fading of materials, microbiological staining of diving boards or pool slides and rust or corrosion of any metallic products or parts. Refer to S.R. Smith care and maintenance instructions for regular maintenance and cleaning of S.R. Smith Products. Maintenance instructions can be found at www.srsmith.com/care.php.

This warranty relates only to defects in materials and workmanship and does not include damage or failure resulting from other causes, including, but not limited to Acts of God, misuse or abuse, accident or negligence, fire, improper assembly or installation, chipping or flaking of powder or vinyl coatings, or ice damage. Damage induced by the improper use of chemicals is not covered by this warranty. In the event that products are altered or repaired by anyone without the prior written approval of S.R. Smith, all warranties are void.

IMPORTANT: WEIGHT LIMIT ON DIVING BOARDS, JUMP BOARDS, STANDS, SLIDES, LADDERS AND LADDER STEPS SHALL BE NOT MORE THAN 250 POUNDS. EXCEPTIONS:

FRONTIER IV BOARD AND BASE NOT MORE THAN 400 POUNDS. TURBOTWISTER AND TYPHOON SLIDES NOT MORE THAN 275 POUNDS. CYCLONE SLIDE NOT MORE THAN 175 POUNDS. VORTEX SLIDES NOT MORE THAN 325 POUNDS.

S.R. Smith shall not be liable for any consequential, special or incidental damages, including, but not limited to any damages for loss of use of pools or injury to person or property, and any claims therefore are hereby specifically disclaimed and excluded. Some states do not allow the exclusion or limitation of incidental, special or consequential damages, so the above limitation or exclusion may not apply to you. This warranty gives you specific legal rights and you may also have other rights, which may vary from state to state. The warranty is extended to, and enforceable only by the original retail purchaser.

If any S.R. Smith products fail during the warranty period as a result of a defect in material or workmanship covered by this warranty, the original retail purchaser must notify S.R. Smith via www.srsmith.com/warranty.php. This notice from the original retail purchaser must contain all pertinent product information as outlined in the warranty claim form. S.R. Smith will determine if the product is to be returned to the factory or will ask that (1) the defective area and (2) the part of the product stamped with the serial number be removed and returned. Product pieces must be cleaned and returned freight prepaid to S.R. Smith's facility at either 1017 SW Berg Parkway, Canby, OR 97013 or 105 Challenger Drive, Portland, TN 37418 as determined by S.R. Smith.

THE WARRANTY SET FORTH HEREIN IS IN LIEU OF ALL OTHER WARRANTIES, EXPRESSED OR IMPLIED, WHICH ARE HEREBY DISCLAIMED AND EXCLUDED, INCLUDING WITHOUT LIMITATION ANY WARRANTY OF MERCHANTABILITY OR FITNESS FOR A PARTICULAR PURPOSE OR USE.

THE SOLE AND EXCLUSIVE REMEDIES FOR BREACH OF ANY AND ALL WARRANTIES WITH RESPECT TO THE PRODUCTS SHALL BE LIMITED TO REPAIR OR REPLACEMENT AT S.R. SMITH'S DESIGNATED FACTORY OR IN PLACE AT S.R. SMITH'S OPTION. IN NO EVENT SHALL S.R. SMITH'S LIABILITY EXCEED THE ENTIRE AMOUNT PAID TO S.R. SMITH BY THE ORIGINAL PURCHASER FOR THE FAILED OR DEFECTIVE PRODUCT.

IN NO EVENT SHALL S.R. SMITH BE LIABLE FOR ANY INCIDENTAL, CONSEQUENTIAL, SPECIAL, INDIRECT, PUNITIVE OR EXEMPLARY DAMAGES OR LOST PROFITS FROM ANY BREACH OF THIS LIMITED WARRANTY OR OTHERWISE.

No representative of S.R. Smith, nor any of its agents, distributors or dealers has any authority to alter in any manner the terms of this warranty and S.R. Smith is not responsible for any undertaking, representation or warranty made by any other person beyond the warranty expressly set forth in this warranty.

warranty claim

In order to submit a warranty claim we require the following: **1.)** serial number(s) or proof of purchase if no serial number can be provided, **2.)** photos of the defect/damage, and **3.)** a full description of the problem.

Person filling out this form: Distributor Builder Homeowner/End User

For Distributor Use Only:

PO Number

Claim Number

Action Requested:

Credit Only

Replace Only

distributor/seller contact information

Company Name

Branch Number/Location

Contact Name

Phone

Email

replacement product shipping address

Customer Name

Branch Number/Location

Street Address

City/State/Zip

Phone

| Qty | Part # | Part Description | Detailed Explanation of Issue* | Serial # Sticker |
|-----|--------|------------------|--------------------------------|------------------|
| | | | | |
| | | | | |
| | | | | |

*Photos are required for claim processing. Please email them to warranty@srsmith.com

I, the undersigned, certify that the above mentioned product(s) has been or will be appropriately destroyed or returned to S.R.Smith for review. In no event shall the above mentioned product(s) be resold.

Customer Signature

Printed Name

Title

Today's Date

Please fax to 503.266.4334 or email warranty@srsmith.com

toll free 800.824.4387
 fax 503.266.4334
 web www.poollifts.com



Index

Numbers

| | |
|----------------------------|----|
| 2/3 Meter Deck Level Stand | 16 |
| 2-Bend rails | 58 |
| 2-Bend Heavy-duty rails | 59 |
| 3-Bend rails | 58 |
| 3-Bend Heavy-duty rails | 59 |

A

| | |
|--------------------------------------|---------|
| Accessibility products | 2-13 |
| Accessories | 11 |
| aXs | 8 |
| Handy Lift | 9 |
| LiftOperator | 4 |
| MAC (Mobile Aquatic Chair) | 10 |
| multiLift | 5 |
| PAL | 6 |
| Splash! | 7 |
| Anchor flanges, aluminum and plastic | 135 |
| Anchors | 128-131 |
| AquaBlast slide | 100 |
| AquaDirector control box | 127 |
| aXs | 8 |

B

| | |
|----------------------------|-------|
| Basketball games | 52 |
| Basketball game parts | 53 |
| BigRide slide | 104 |
| Boards & Stands Selector | 40 |
| Board identification guide | 44-46 |
| Bumpers | 135 |

C

| | |
|----------------------------------|-----|
| Caddy (pool lift) | 11 |
| California Pacific Pretzel rails | 66 |
| Camelback ladder | 60 |
| Cantilever jump stand | 26 |
| Cantilever lifeguard chair | 78 |
| Care of products | 142 |
| Cleaning of products | 142 |
| Commercial ladder | 60 |
| Commercial ring rails | 66 |
| Custom rails | 56 |
| Cyclone slide | 96 |

D

| | |
|-----------------------------------|--------|
| Dade County ladder | 61 |
| Deck jets, bronze | 126 |
| Deck Mounted Stair Rails | 67 |
| Deluxe 1 & 3 Meter Towers | 20 |
| Diving boards | 38-39 |
| Eureka | 38 |
| Fibre-Dive | 38 |
| FreeStyle | 39 |
| Frontier II | 38, 39 |
| Frontier III | 38, 39 |
| Frontier IV | 39 |
| Fusion | 39 |
| Glas-Hide | 39 |
| HipHop | 39 |
| Olympian | 38 |
| Swim Club | 38 |
| Diving board identification guide | 44-46 |
| Diving stands, commercial | |
| 2/3 Meter Deck Level Stand | 16 |
| Deluxe 1 & 3 Meter Towers | 20 |
| Econoline 1 Meter Stand | 18 |
| Steel Meter Stands | 22 |

Diving stands, residential

| | |
|---|-----|
| Cantilever jump stand | 26 |
| Flyte-Deck II stand | 28 |
| FreeStyle | 30 |
| Frontier II jump stand | 32 |
| Frontier IV board | 25 |
| HipHop | 30 |
| Salt Pool Jump System | 34 |
| Steel Meter Stands | 22 |
| Supreme Stand | 36 |
| U-Frame Stands | 38 |
| Diving envelope – Commercial ANSI/NSPI-1 Standards | 41 |
| Diving envelope – Residential ANSI/NSPI-5 Standards | 42 |
| Diving towers | 20 |
| Diving board tread repair kits | 136 |
| DMS-100 Hand Rails | 67 |
| DMS-101 Hand Rails | 68 |
| DMS-102 Hand Rails | 68 |
| DMS-103 Hand Rails | 68 |
| Dock ladder | 61 |

E

| | |
|----------------------------|-----|
| Easy-Out ladder | 62 |
| Econoline 1 Meter Stand | 18 |
| Economy ladder | 62 |
| Epoxy kits | 136 |
| Escutcheons | 131 |
| Eureka diving board | 38 |
| Exercise bars, commercial | 73 |
| Exercise bars, residential | 73 |

F

| | |
|------------------------------------|----|
| Fibre-Dive diving board | 38 |
| Figure 4 rails | 69 |
| Flyte-Deck II stand, diving | 28 |
| FreeStyle diving board | 39 |
| Frontier II diving board | 39 |
| Frontier II jump stand | 32 |
| Frontier III diving board | 39 |
| Frontier IV diving board | 25 |
| Fulcrum settings for diving boards | 40 |

G

| | |
|--------------------------|----|
| Games | 50 |
| Volleyball | 51 |
| Basketball | 52 |
| Glas-Hide diving board | 39 |
| Guardian lifeguard chair | 79 |

H

| | |
|---------------------|-------|
| Handrails | 54-65 |
| Handy Lift | 9 |
| HipHop diving board | 30 |

I

| | |
|-------------------------------|----|
| Institutional lifeguard chair | 80 |
|-------------------------------|----|

J

| | |
|--------------------------|----|
| Jig identification guide | 47 |
| Jump stands | |
| Cantilever | 24 |
| Frontier II | 30 |
| Salt Pool Jump Stand | 32 |
| Supreme | 34 |

L

| | |
|--------------------|-------|
| Ladders | 60-64 |
| Camelback ladder | 60 |
| Commercial ladder | 60 |
| Dade County ladder | 61 |

| | | | |
|---------------------------------------|-------|-----------------------------------|---------|
| Dock ladder | 61 | Spa rails | 72 |
| Easy-Out ladder | 62 | SealedSteel rails | 57 |
| Economy ladder | 62 | Stanchions | 74 |
| On-ground ladder | 62 | Recessed steps | 133 |
| Parallel-look ladder | 63 | RecordQuest starting platforms | 116 |
| Residential ladder | 63 | Residential ladder | 63 |
| Snap-lok ladder | 63 | Residential Ring rails | 71 |
| Standard Plus ladder | 64 | RocketRide slide | 102 |
| Lane Line Storage Reels | 123 | RockSolid anchor | 121 |
| Legacy Launch starting platforms | 110 | Rogue slide | 98 |
| Legacy starting platforms | 112 | S | |
| Legacy II starting platforms | 114 | Safety pool steps | 133 |
| Lifeguard chairs | 76-85 | Salt Pool Jump System | 34 |
| Cantilever | 78 | SealedSteel rails | 57 |
| Guardian | 79 | Security products | 86-89 |
| Institutional | 80 | Slides | 90-107 |
| Low Profile | 81 | AquaBlast slide | 100 |
| O-Series | 82 | BigRide slide | 104 |
| Outlook I & II | 83 | Cyclone slide | 96 |
| Standard | 84 | RocketRide slide | 102 |
| Vista | 85 | Rogue slide | 98 |
| Low Profile lifeguard chair | 81 | TurboTwister slide | 92 |
| M | | Typhoon slide | 94 |
| MAC (Mobile Aquatic Chair) | 10 | Vortex slide | 106 |
| Mounting kits, residential boards | 39 | Slide placement instructions | 91 |
| Mounting kits, commercial boards | 39 | Snap-lok ladder | 63 |
| multiLift Adaptive Pool Lift | 5 | Spa rails | 72 |
| O | | Spineboard (pool lift) | 11 |
| Olympian diving board | 38 | Splash pad kits | 126 |
| On-ground ladder | 62 | Stability vest (pool lift) | 11 |
| O-Series lifeguard chair | 82 | Stanchions | 74 |
| Outlook I lifeguard chair | 83 | Standard lifeguard chair | 84 |
| Outlook II lifeguard chair | 83 | Standard Plus ladder | 64 |
| P | | Starting platforms | 108-121 |
| Parallel-look ladder | 63 | Legacy Launch | 110 |
| Pool alarm systems | 86-89 | Legacy | 112 |
| Pool lifts | 2-13 | Legacy II | 114 |
| aXs | 8 | RecordQuest | 116 |
| Handy Lift | 9 | Varsity Deluxe | 118 |
| PAL | 6 | Universal | 120 |
| MAC (Mobile Aquatic Chair) | 10 | Steel Meter Stands | 22 |
| multiLift | 5 | Storage Reels | 123 |
| Splash! | 7 | Supreme Stand | 36 |
| PoolSonix pool alarm | 88 | Swim Club diving board | 38 |
| P-rails | 70 | T | |
| PR-500 rails | 70 | Terms and conditions of sale | 144 |
| Pretzel rails | 71 | Treads | 133 |
| Q | | Tread repair kits, diving board | 136 |
| Quick adjustable fulcrum | 20 | Towers, diving | 20 |
| R | | TurboTwister slide | 92 |
| Rails | | Typhoon slide | 94 |
| Custom rails | 56 | U | |
| 2-Bend rails | 58 | U-frame fulcrum cover | 24, 141 |
| 3-Bend rails | 58 | U-frame stands | 24 |
| 2-Bend Heavy-duty rails | 59 | Universal starting platforms | 120 |
| 3-Bend Heavy-duty rails | 59 | V | |
| California Pacific Pretzel rails | 66 | Varsity Deluxe starting platforms | 118 |
| Commercial Ring rails | 66 | Vista lifeguard chair | 85 |
| Deck Mounted Stair rails | 67 | Volleyball games | 51 |
| DMS-100 Hand rails | 67 | Volleyball game parts | 51 |
| DMS-101 Hand rails | 68 | Vortex slide | 106 |
| DMS-102 Hand rails | 68 | W | |
| DMS-103 Hand rails | 68 | Warranty | 146 |
| Exercise, Training & Therapeutic bars | 73 | Water features | 124-127 |
| Figure 4 rails | 69 | Water sport games | 50 |
| P-rails | 70 | Volleyball | 51 |
| PR-500 rails | 70 | Basketball | 52 |
| Pretzel rails | 71 | WetDek splash pads | 126 |
| Residential Ring rails | 71 | | |

Disclaimer:

While every effort was made to ensure accurate and up-to-date technical information, it is not possible to guarantee that all items will be accurate at all times. If there is any doubt as to the accuracy of any claim or information found in this catalog, the reader is responsible for verifying the accuracy prior to purchase and / or use of the product(s). Additionally, S.R. Smith reserves the right to make product changes as required during the normal course of business and those product changes may or may not be reflected in this catalog.



P.O. Box 400 | 1017 SW Berg Parkway | Canby, OR 97013 USA
Phone: 503.266.2231 | Toll Free: 800.824.4387 | Fax: 503.266.4334
www.srsmith.com | www.poollifts.com

©Copyright 2012 S.R.Smith, LLC. All rights reserved.
No part of this may be copied or reproduced without the expressed written consent of S.R.Smith, LLC.

M-E-CAT-23 0112