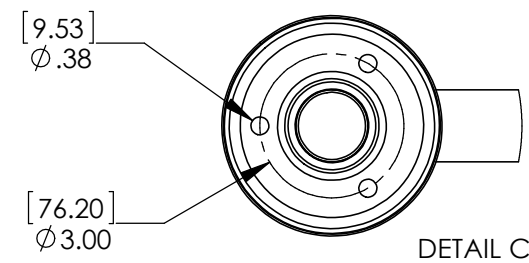
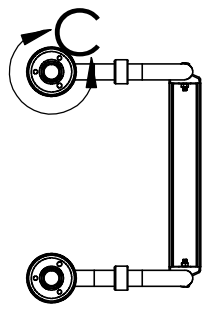
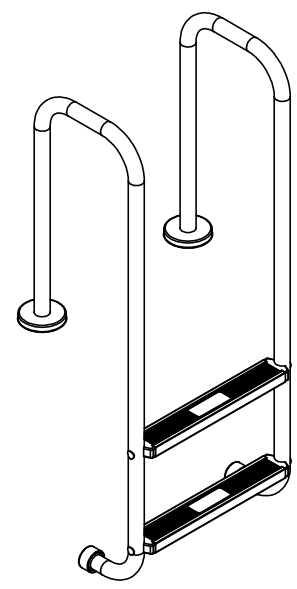
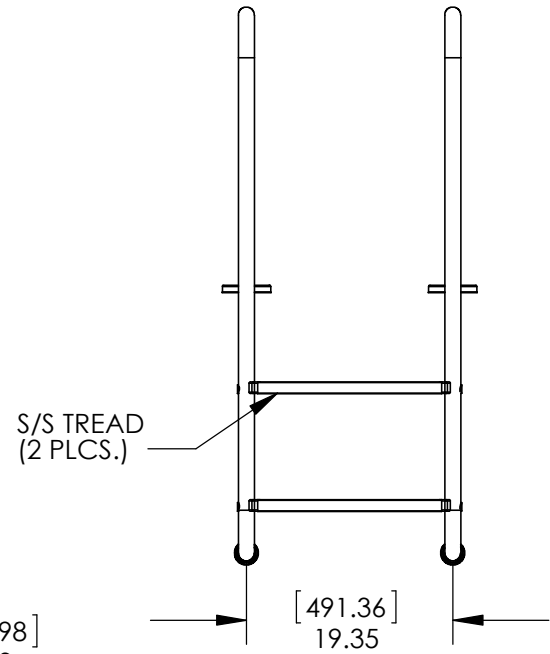
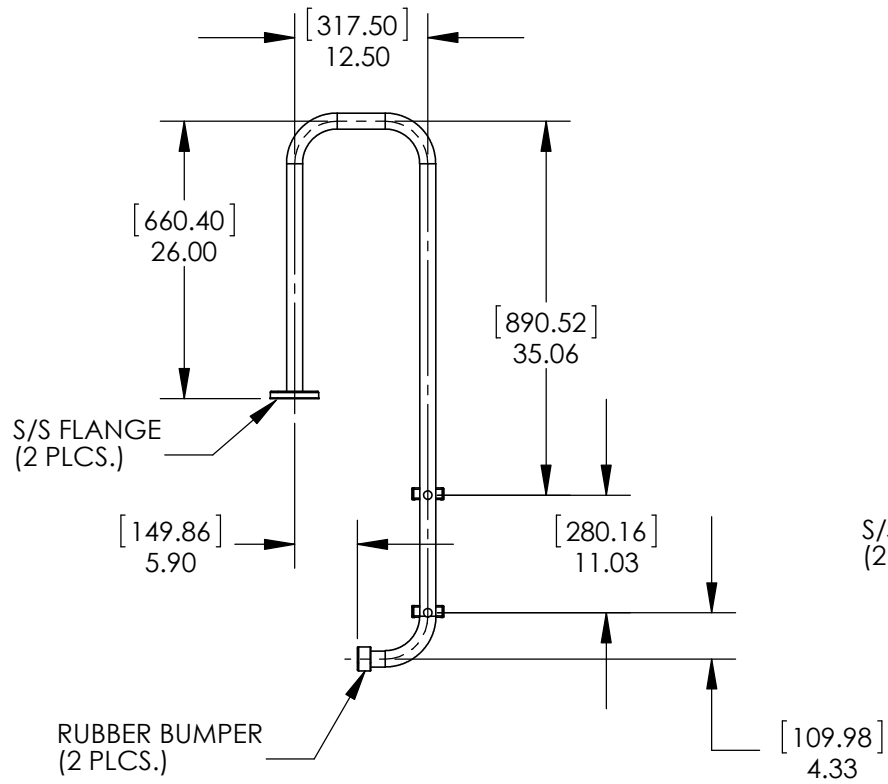


REVISIONS			
REV.	DESCRIPTION	DATE	ECN



DETAIL C
SCALE 1 : 4

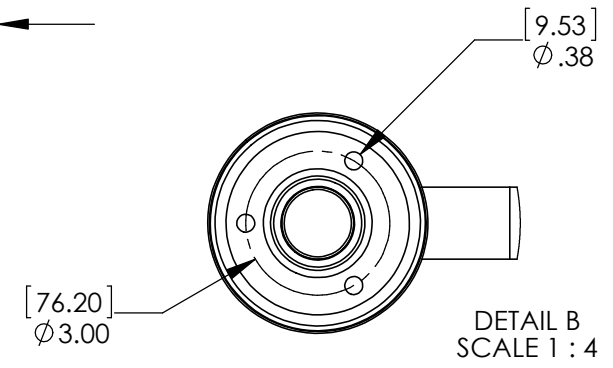
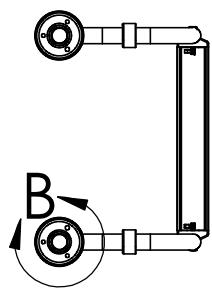
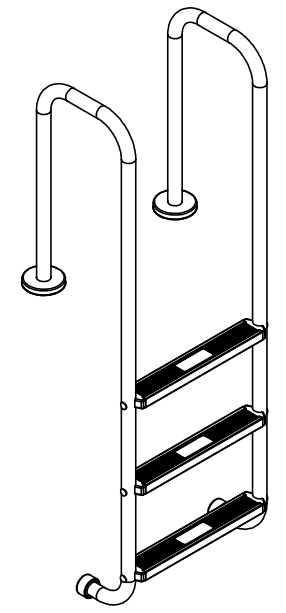
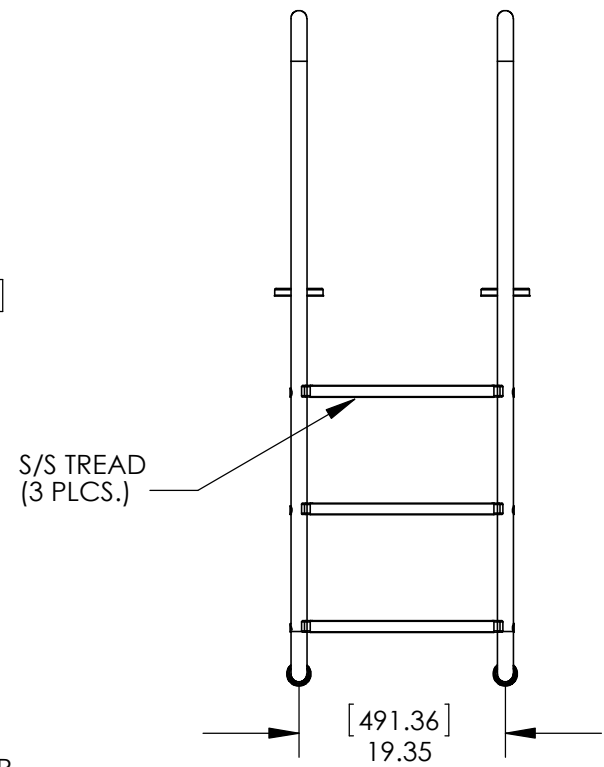
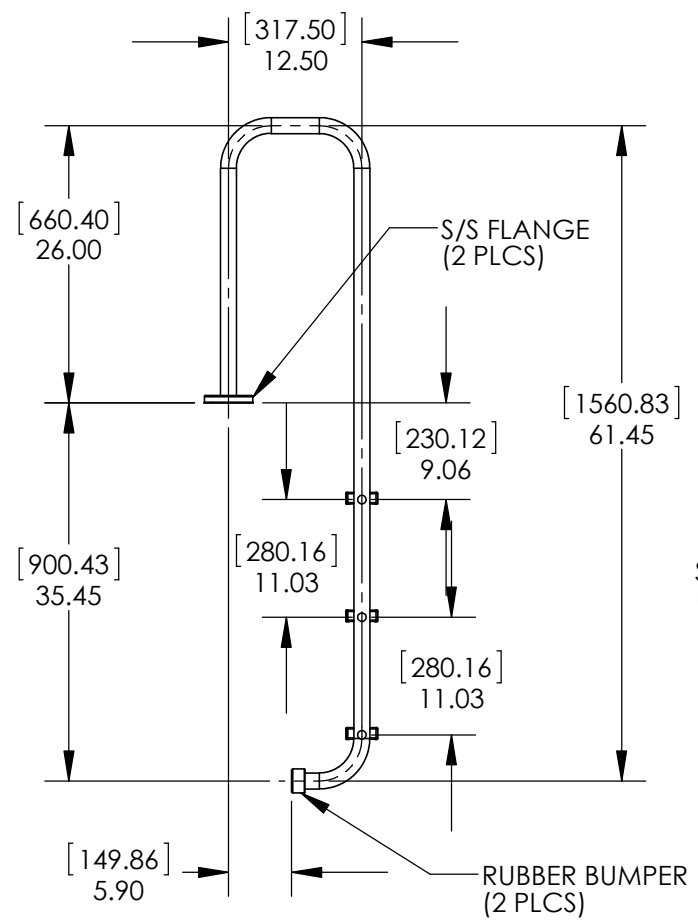
UNLESS OTHERWISE SPECIFIED DIMENSIONS ARE IN INCHES, TOLERANCES ARE: FRACTIONAL: $\pm 1/16$ ANGULAR: $\pm 1^\circ$ TWO PLACE DECIMAL: $\pm .06$ THREE PLACE DECIMAL: ... $\pm .031$	DESCRIPTION: NARROW TWO-STEP LADDER, FLANGED, 38MMX1.2MM	
	MATERIAL: 1.50 x .049 (316L) S/S TUBING	
	PART NO.: SL-UF-2	REV.: A
	DRAWN BY: DTJ	DATE: 4/1/14
CHECKED BY:	DATE:	

SR Smith™

P.O. BOX 400 - 1017 S.W. BERG PARKWAY
 CANBY, OREGON 97013
 PHONE (503) 266-2231

SIZE:	A	SCALE: 1:18	SHEET 1 OF 4
-------	---	-------------	--------------

REVISIONS			
REV.	DESCRIPTION	DATE	ECN



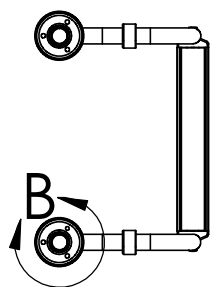
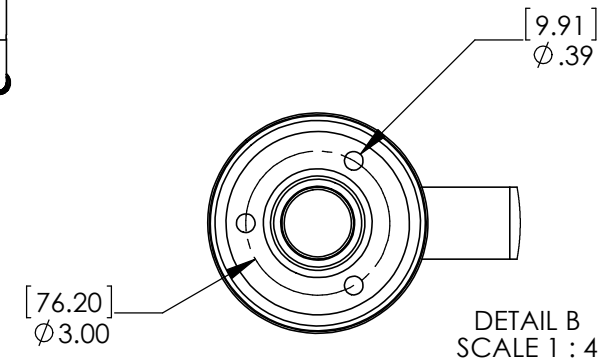
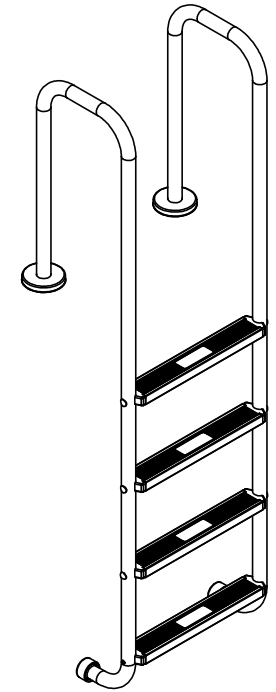
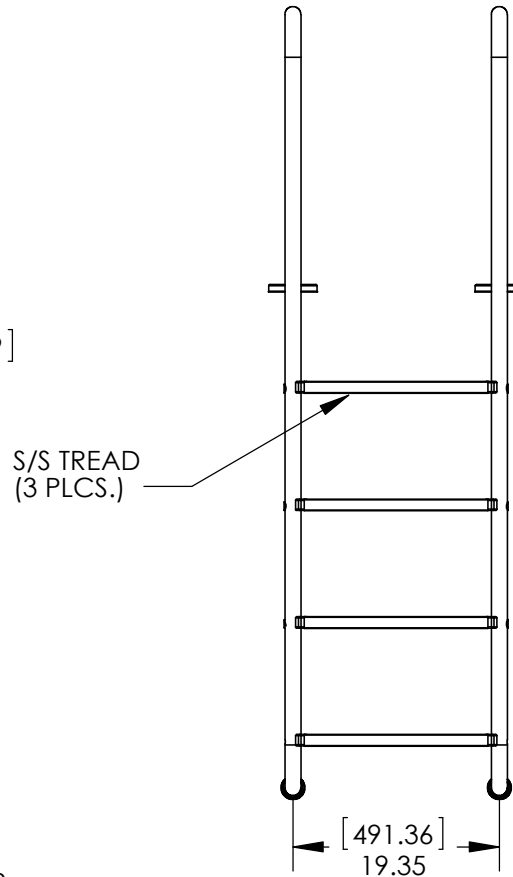
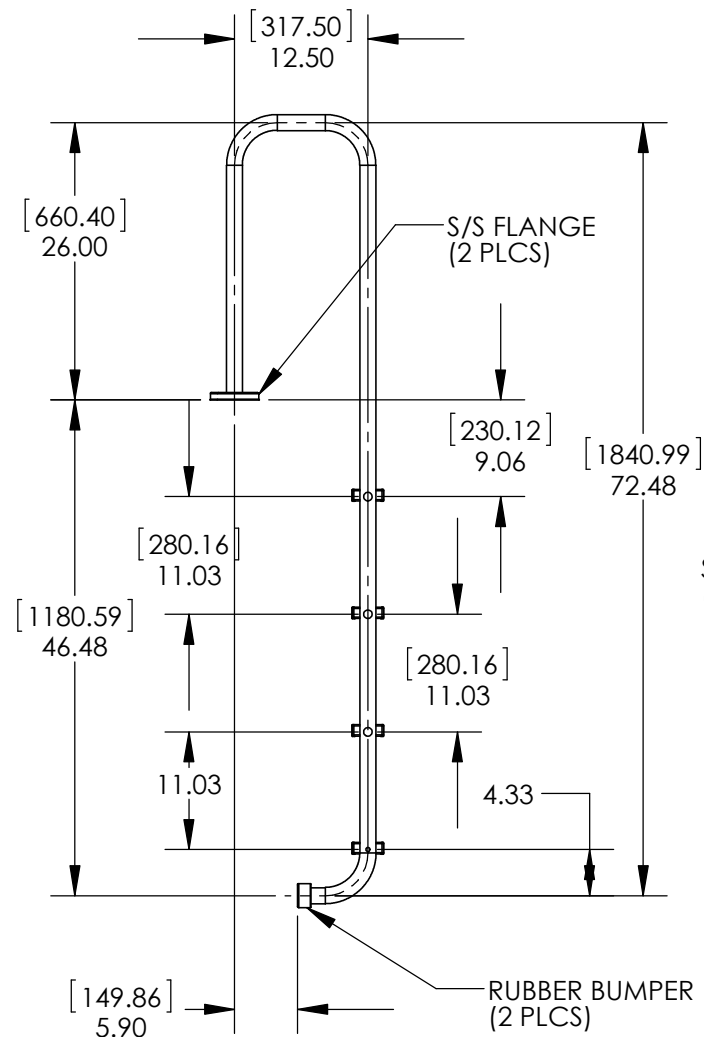
UNLESS OTHERWISE SPECIFIED DIMENSIONS ARE IN INCHES, TOLERANCES ARE:
 FRACTIONAL: ±1/16
 ANGULAR: ±1°
 TWO PLACE DECIMAL: ±.06
 THREE PLACE DECIMAL: ... ±.031

DESCRIPTION: NARROW THREE-STEP LADDER, FLANGED, 38MMX1.2MM	
MATERIAL: 1.50 x .049 (31 6L) S/S TUBING	
PART NO.: SL-UF-3	REV. A
DRAWN BY: DTJ	DATE: 4/1/14
CHECKED BY:	DATE:

SR Smith™
 P.O. BOX 400 - 1017 S.W. BERG PARKWAY
 CANBY, OREGON 97013
 PHONE (503) 266-2231

SIZE: A	SCALE: 1:18	SHEET 1 OF 4
------------	----------------	-----------------

REVISIONS			
REV.	DESCRIPTION	DATE	ECN



UNLESS OTHERWISE SPECIFIED
DIMENSIONS ARE IN INCHES,
TOLERANCES ARE:
FRACTIONAL: ±1/16
ANGULAR: ±1°
TWO PLACE DECIMAL: ±.06
THREE PLACE DECIMAL: ... ±.031

DESCRIPTION: NARROW FOUR-STEP LADDER, FLANGED, 38MMX1.2MM	
MATERIAL: 1.50 x .049 (316L) S/S TUBING	
PART NO.: SL-UF-4	REV. A
DRAWN BY: DTJ	DATE: 4/1/14
CHECKED BY:	DATE: 3/19/15

SR Smith™
P.O. BOX 400 - 1017 S.W. BERG PARKWAY
CANBY, OREGON 97013
PHONE (503) 266-2231

SIZE: A	SCALE: 1:18	SHEET 1 OF 4
------------	----------------	-----------------