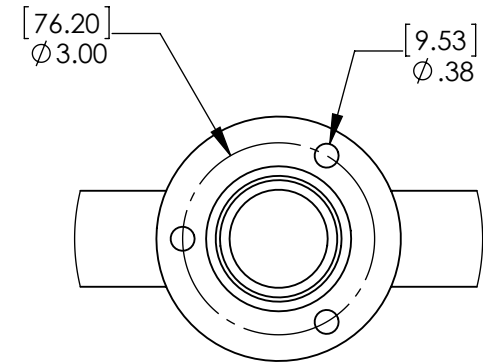
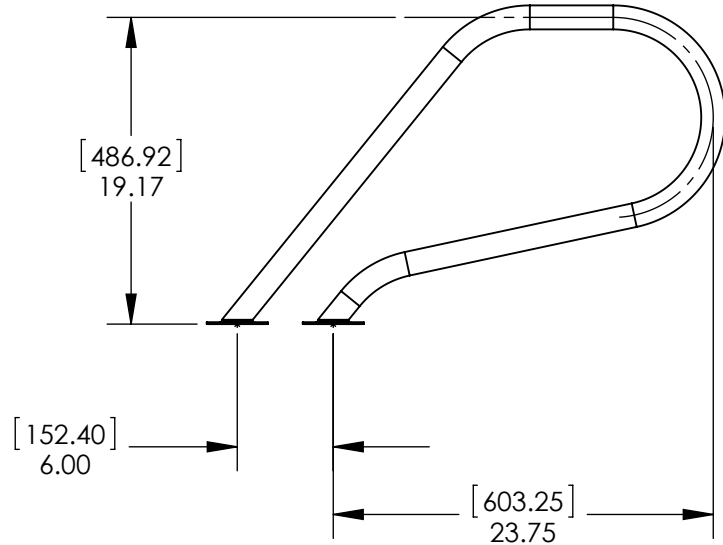
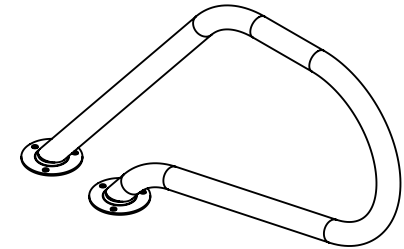
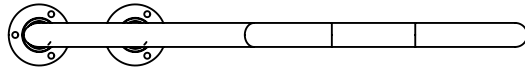
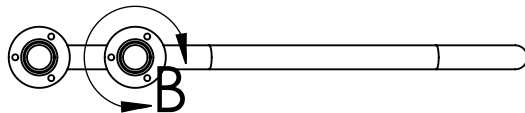


REVISIONS			
REV.	DESCRIPTION	DATE	ECN



DETAIL B
SCALE 1 : 3



TUBING LENGTH: 72.00"

UNLESS OTHERWISE SPECIFIED
DIMENSIONS ARE IN INCHES,
TOLERANCES ARE:
FRACTIONAL: ±1/16
ANGULAR: ±1°
TWO PLACE DECIMAL: ±.06
THREE PLACE DECIMAL: .. ±.031

DESCRIPTION: P GRAB RAIL - FLANGED (PAIR)
38MM X 1.2MM

MATERIAL: 1.50 x .049 (316L) S/S TUBING

PART NO.: SR-2F REV. A

DRAWN BY: DTJ DATE: 4/1/14

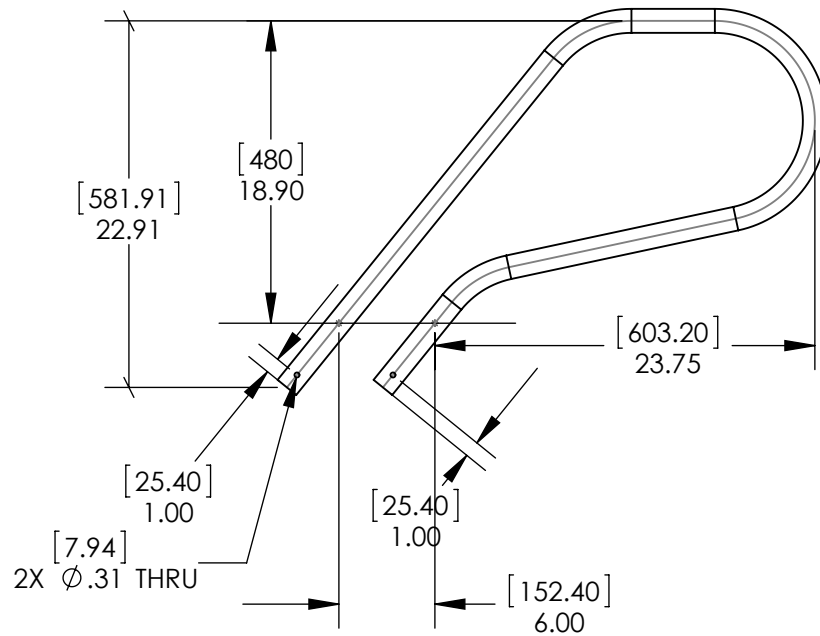
CHECKED BY: DATE:



P.O. BOX 400 - 1017 S.W. BERG PARKWAY
CANBY, OREGON 97013
PHONE (503) 266-2231

SIZE: A SCALE: 1:18 SHEET 1 OF 3

REVISIONS			
REV.	DESCRIPTION	DATE	ECN



TUBING LENGTH: 81.21"

UNLESS OTHERWISE SPECIFIED
DIMENSIONS ARE IN INCHES,
TOLERANCES ARE:
FRACTIONAL: ±1/16
ANGULAR: ±1°
TWO PLACE DECIMAL: ±.06
THREE PLACE DECIMAL: .. ±.031

DESCRIPTION: P GRAB RAIL - STANDARD (PAIR)
38MM X 1.2MM

MATERIAL: 1.50 x .049 (316L) S/S TUBING

PART NO.: SR-2S REV. B

DRAWN BY: DTJ DATE: 4/1/14

CHECKED BY: DATE:



P.O. BOX 400 - 1017 S.W. BERG PARKWAY
CANBY, OREGON 97013
PHONE (503) 266-2231