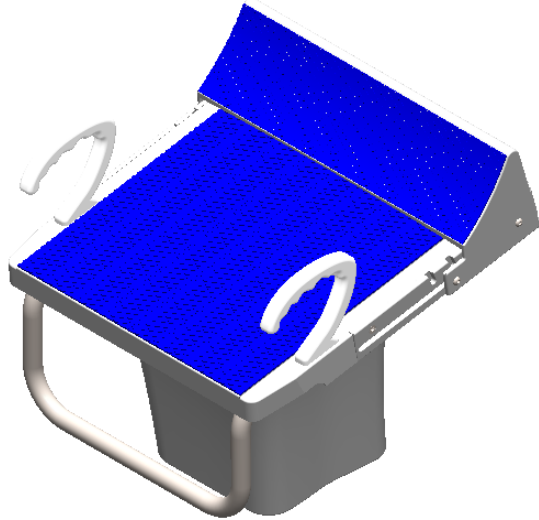
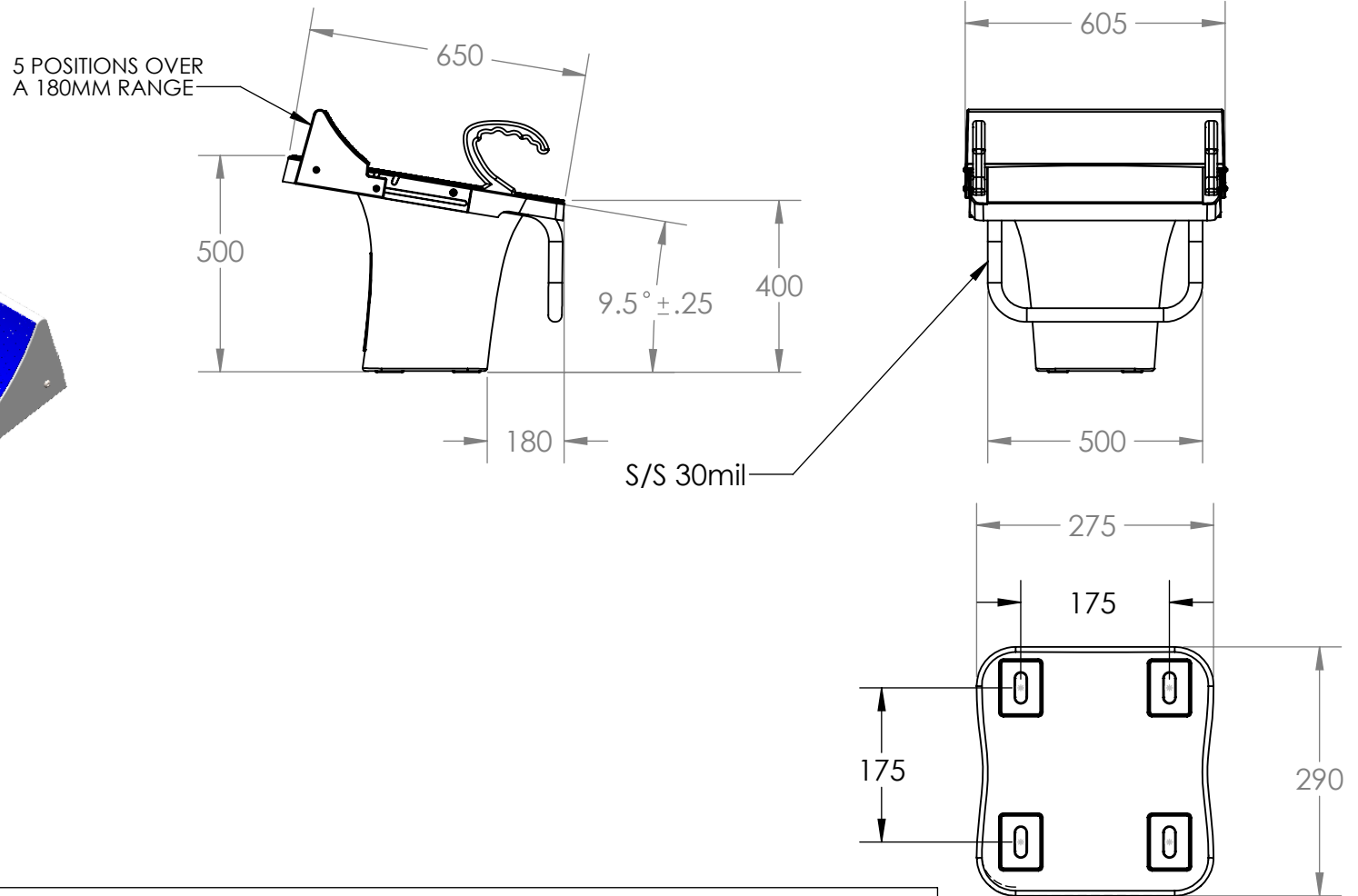


# Anti Wave 650 Starting Block



SCALE 1 : 12



BOTTOM VIEW  
SCALE 1:8

Models	Model Kits
25-61-065T	STARTING BLOCK ANTI 650 W/ MOVABLE TRACK START & SSH w/ 4 Anchor Plugs
25-61-065R	STARTING BLOCK ANTI 650 - REMOVABLE - moveable track start & SSH w/ Qwik Anchor

PART #: <b>25-61-065</b>	DESCRIPTION:  Proprietary and Confidential: The information contained in this specification is the sole property of SRS AUSTRALIA PTY LTD. Any reproduction in part or whole without the written consent of SRS AUSTRALIA PTY LTD is prohibited.	NAME	SIGNATURE	DATE	WEIGHT:
		DRAWN	OEH		MATERIAL:
		CHK'D			DWG NO.
		APP'VD			<b>25-61-065</b>
		MFG			
UNLESS OTHERWISE SPECIFIED: DIMENSIONS ARE IN MILLIMETERS SURFACE FINISH: TOLERANCES: +- .3MIL LINEAR: ANGULAR: +- 1		DO NOT SCALE DRAWING		REVISION	<b>A3</b>

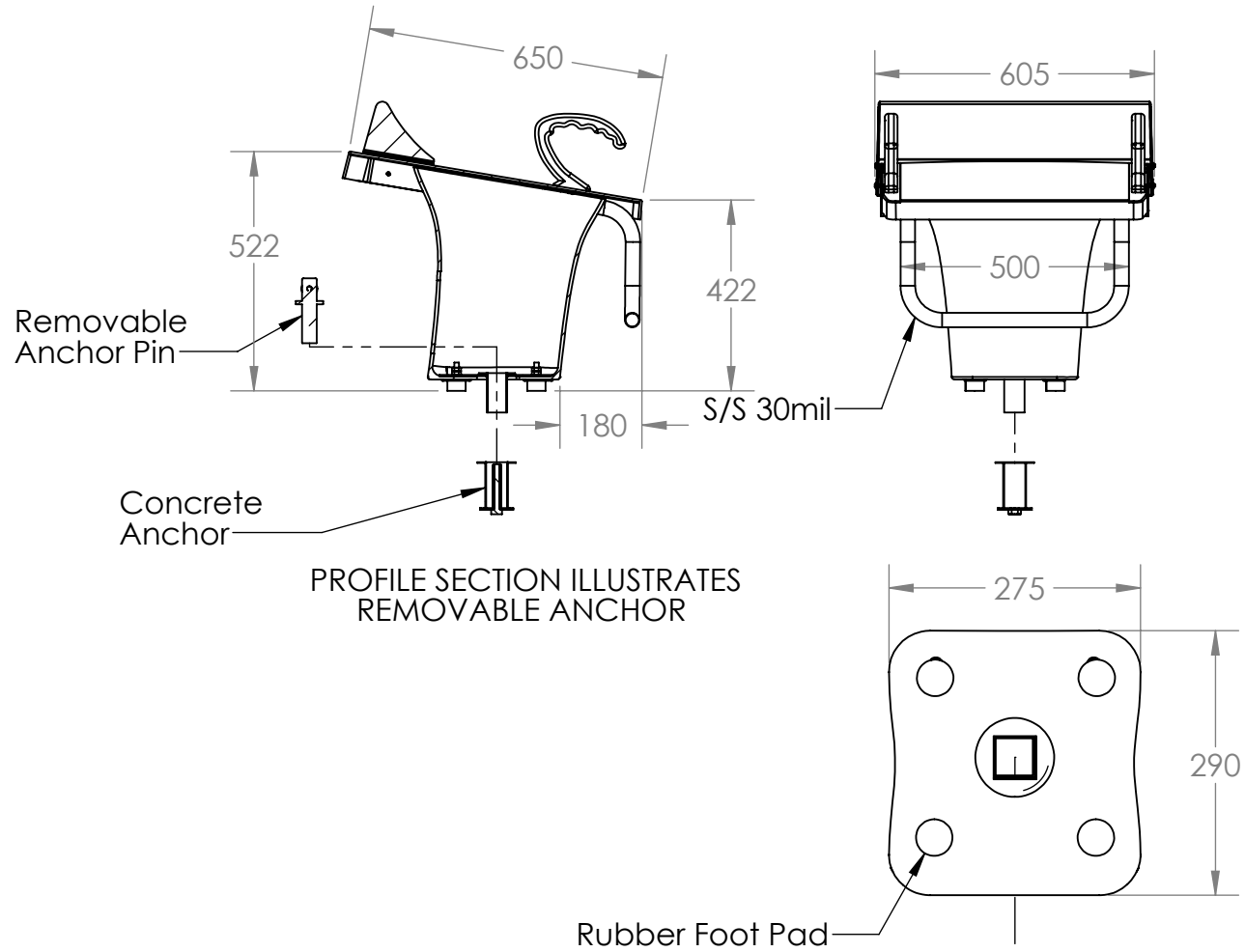
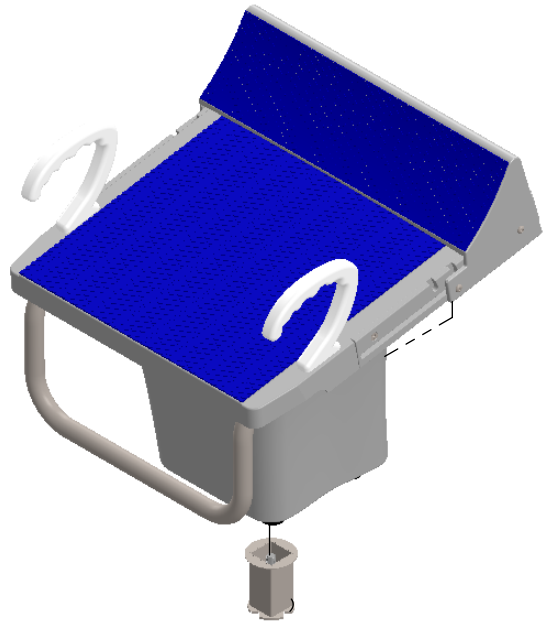
**SRS Smith.**  
*Serious Equipment - Serious Fun - Access for All*  
**SRSAustralia PTY LTD**  
 12 Enterprise Street, Richlands QLD 4077  
 P +61 7 3812 2283 | F +61 7 3812 1187

©SRS AUSTRALIA PTY LTD

SCALE:1:16

SHEET 1 OF 2

**A4**



PART #: 25-61-065R

DESCRIPTION: REMOVABLE START BLOCK

UNLESS OTHERWISE SPECIFIED:  
DIMENSIONS ARE IN MILLIMETERS  
SURFACE FINISH:  
TOLERANCES: +- .3MIL  
LINEAR:  
ANGULAR: +- 1

Proprietary and Confidential:  
The information contained in this specification is the sole property of SRS AUSTRALIA PTY LTD. Any reproduction in part or whole without the written consent of SRS AUSTRALIA PTY LTD is prohibited.

**DO NOT SCALE DRAWING** REVISION **A1**

	NAME	SIGNATURE	DATE	WEIGHT:
DRAWN	OEH			MATERIAL:
CHK'D				DWG NO.
APPV'D				25-61-065
MFG				
<b>©SRS AUSTRALIA PTY LTD</b>				

**SRS**Smith.

*Serious Equipment - Serious Fun - Access for All*  
**SRSAustralia PTY LTD**  
 12 Enterprise Street, Richlands QLD 4077  
 P +61 7 3812 2283 | F +61 7 3812 1187

SCALE:1:16 SHEET 2 OF 2 **A4**