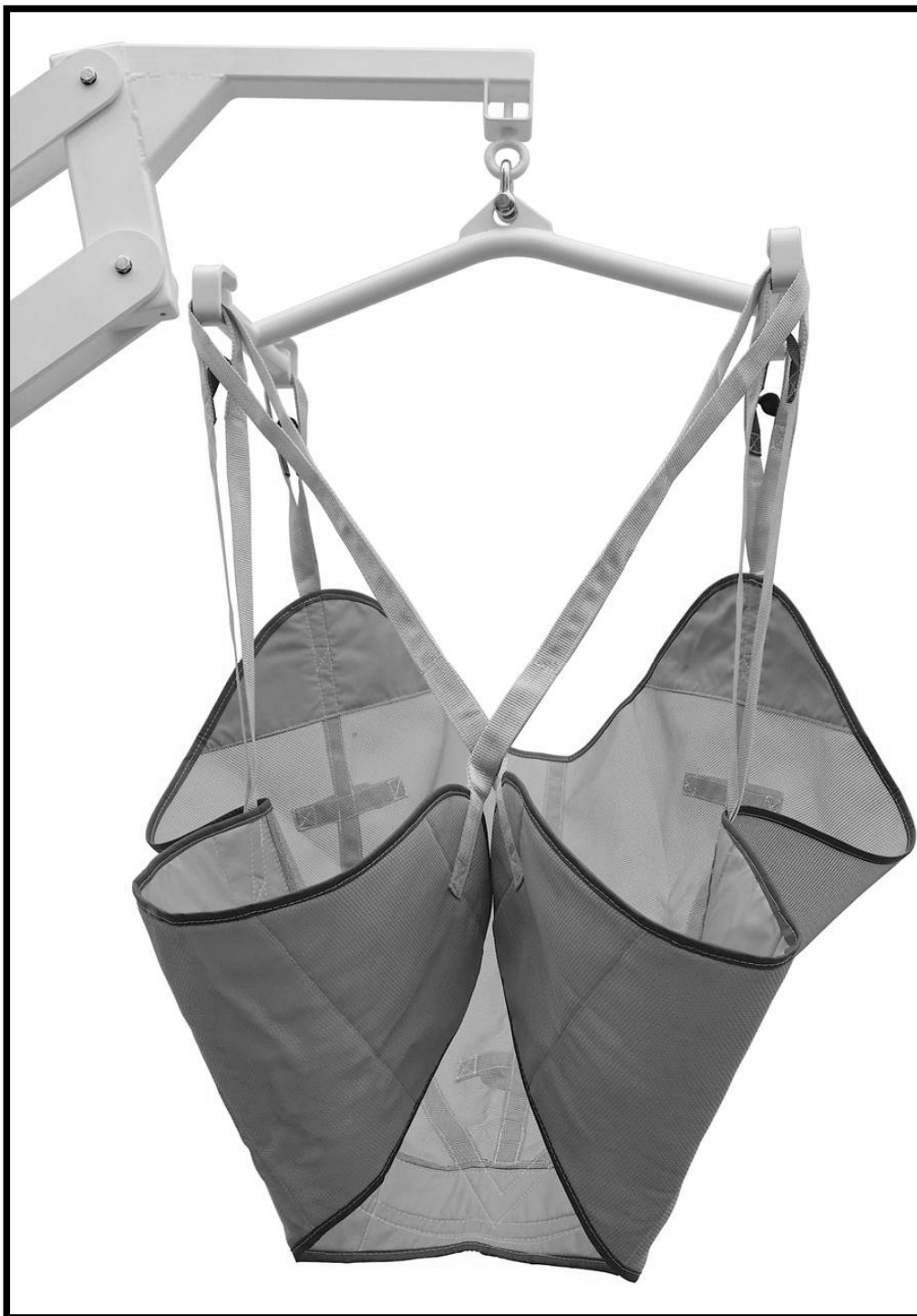
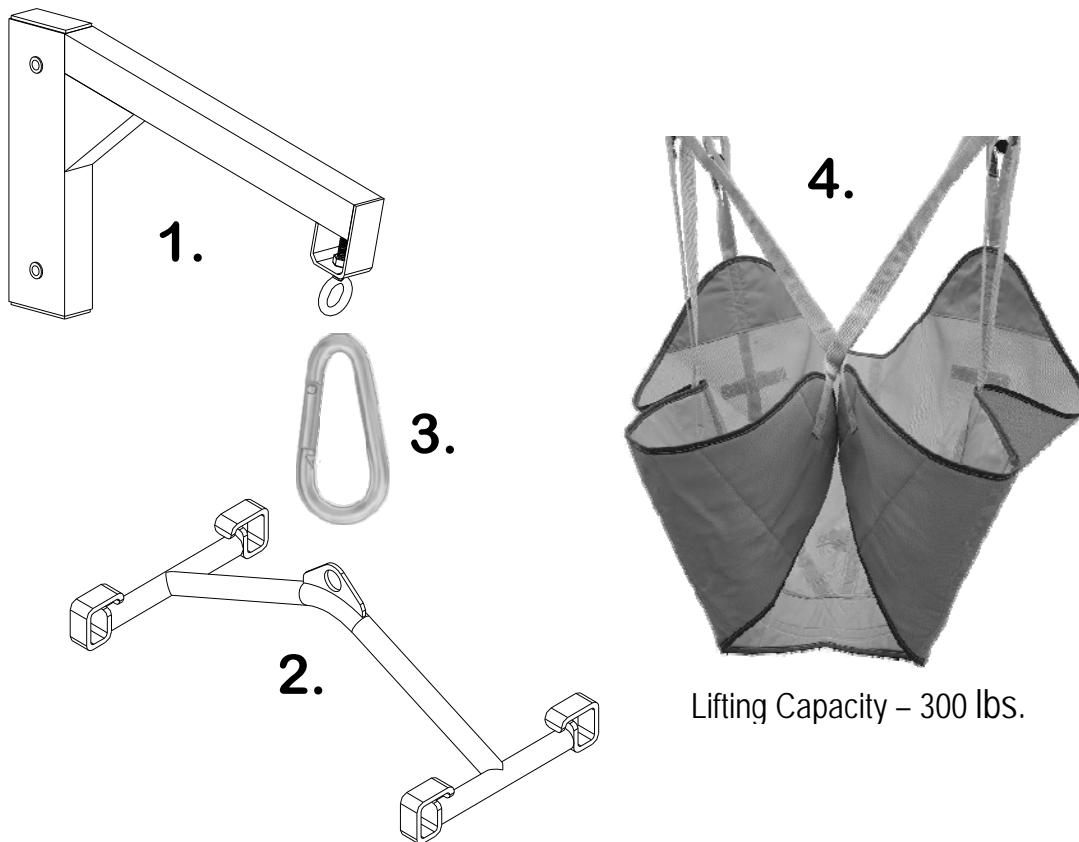




Instructions for Installation and Use of Accessibility Sling



ITEM #	PART #	DESCRIPTION	QTY.
1	550-1000A	SLING ARM ASSEMBLY (WHITE)	1 ea.
2	550-1200	SLING Hooks (WHITE)	1 ea.
3	800-6051	AISI 316 S/S CARABINER	1 ea.
4	960-1000	SLING CHAIR	1 ea.



Accessibility Sling

1. Inspect the sling for wear or damage before each use. If there are any signs of excessive wear or damage do not use.
2. Rinse the sling daily with fresh water and air dry
3. There are three grab points on the back of the sling for adjustment. Make sure they are facing away from the user when positioning the sling.

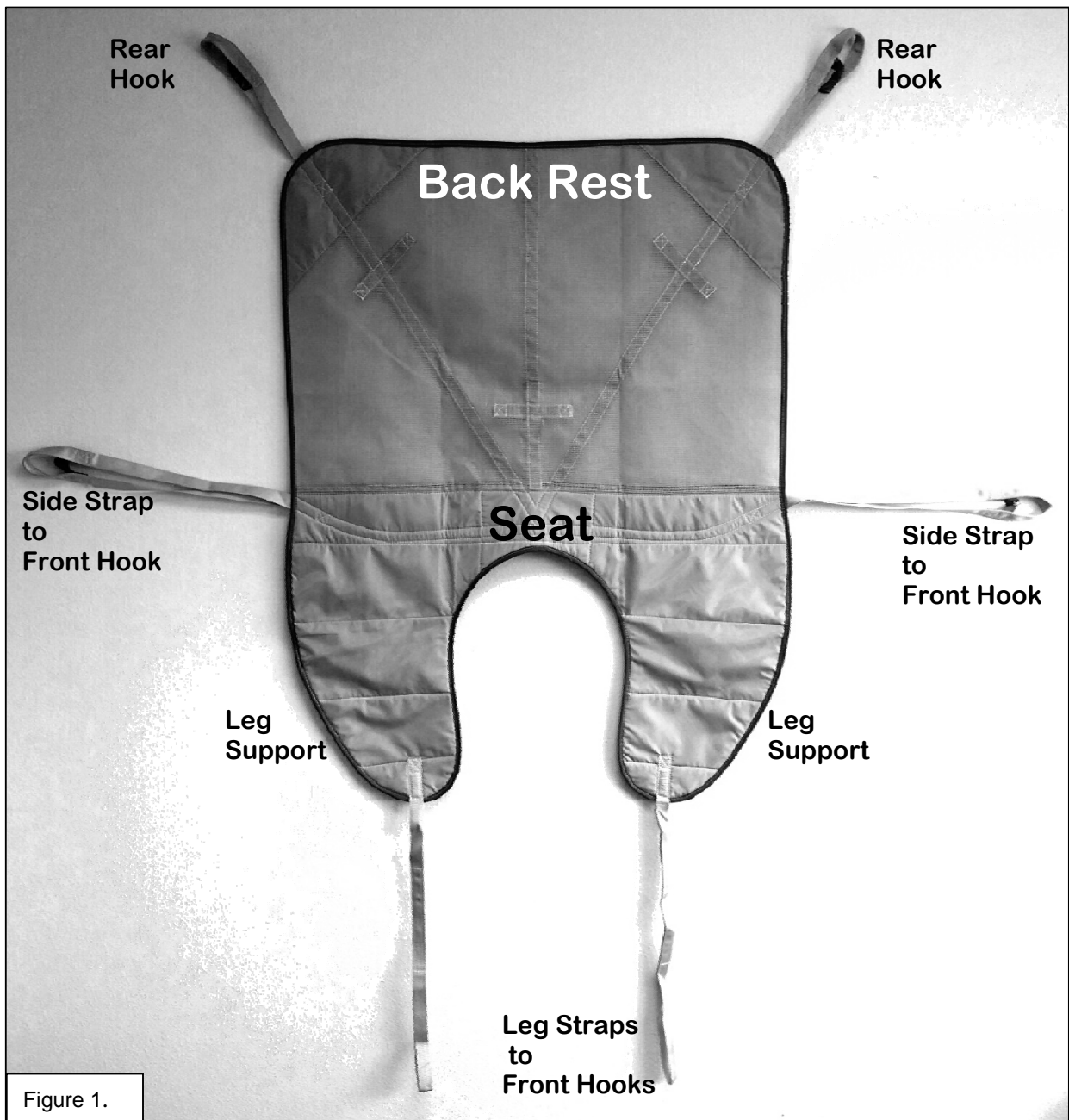


Figure 1.

Instructions:

1. Slide the sling behind the users back and under hips and legs so that the “Seat” portion is under the users hips. **See figure 1.**
2. Gently pull leg supports under the user’s legs until the sling’s leg supports are beneath the users thighs and the straps are inside the thighs. **See figure 2.**
3. Attach the back rest straps labeled Rear Hook, (in figure 1) to the lift sling hooks facing behind the user. Attach the strap above the blue marker shown in **Figure 4.**

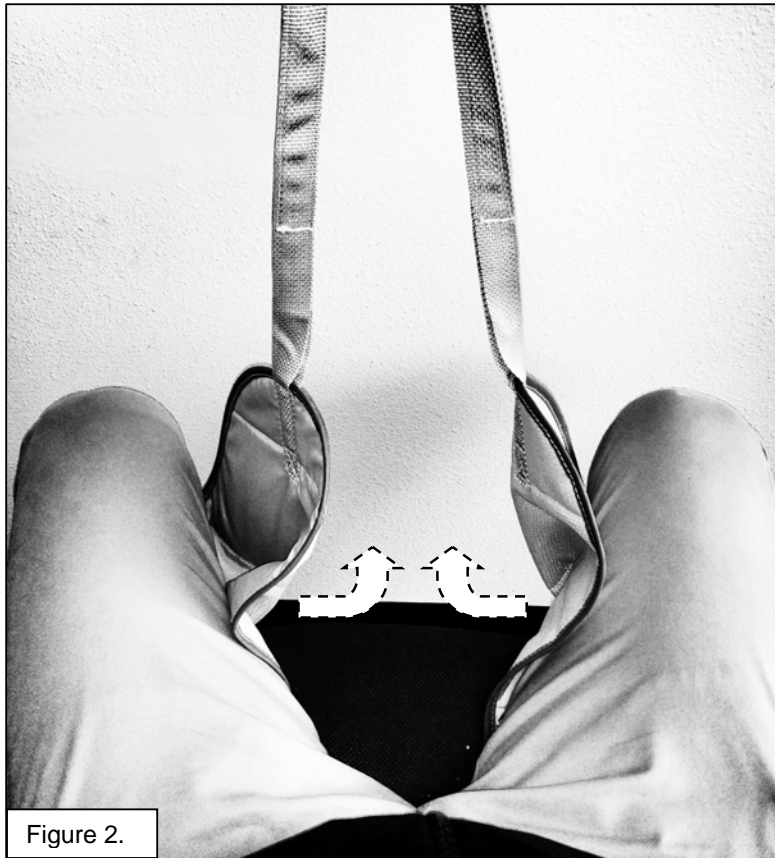


Figure 2.

4. Attach the “side straps” to the forward support hooks - so that the blue loop of the strap is under the hook.
5. Between the legs, the front straps will thread through each other and hook crisscross in front of the user. **See figure 3.**
6. Once all of the straps are secure the lift can be used for transfer.

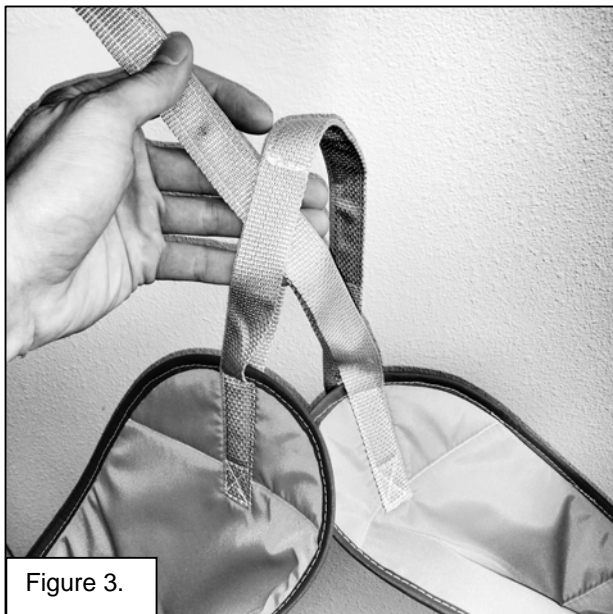


Figure 3.

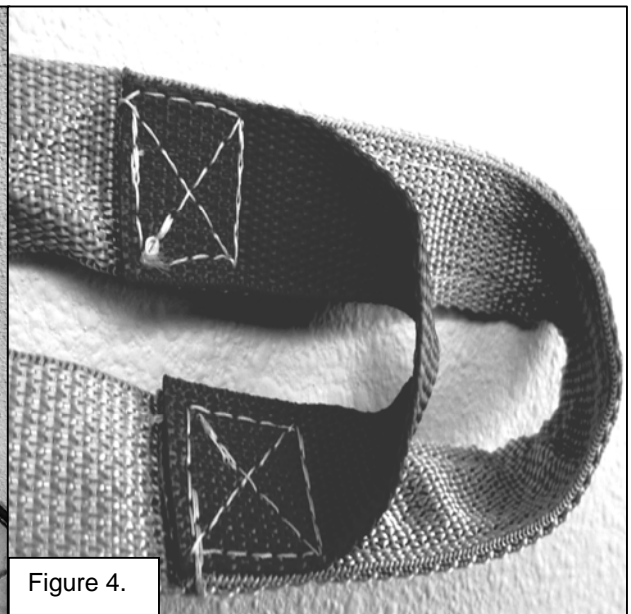
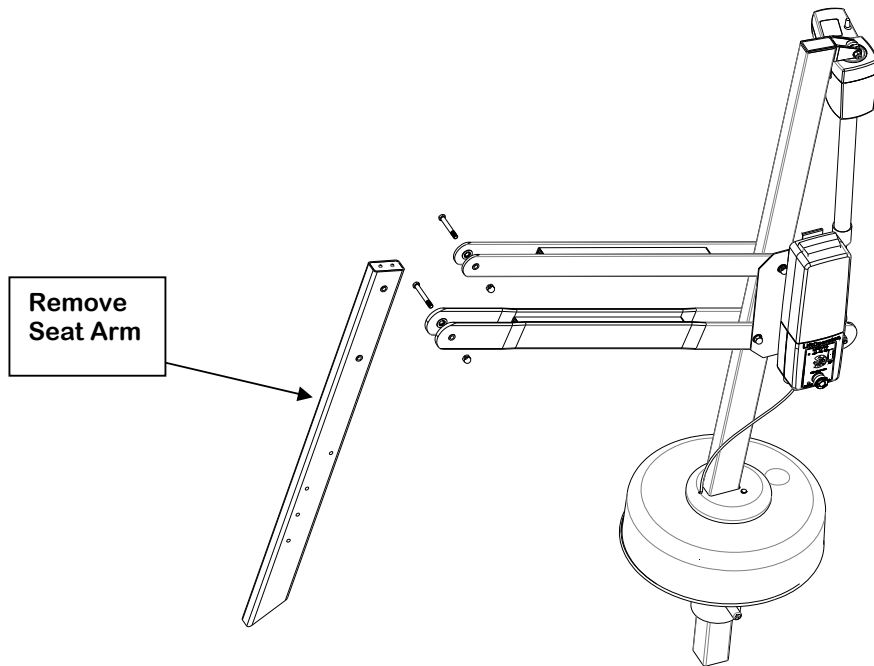


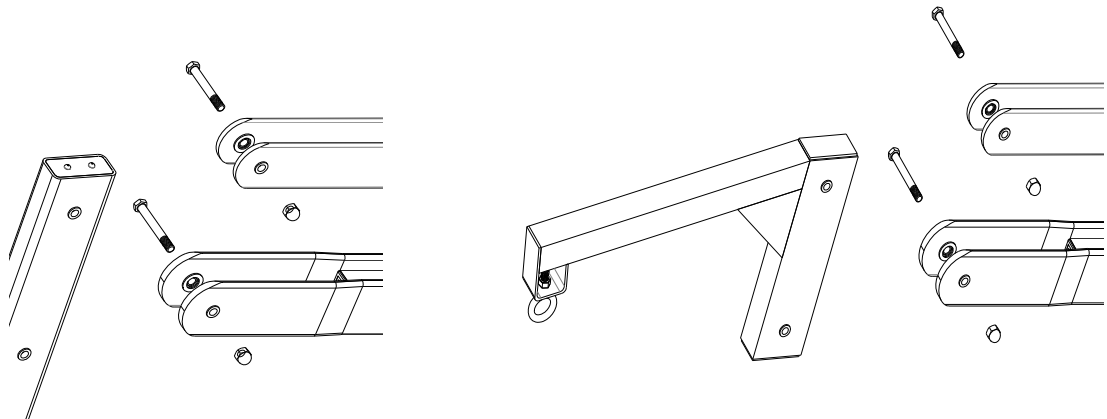
Figure 4.

7. Once in the water remove the leg and side straps to allow transfer into the water.



Installing the conversion Kit:

1. Remove the bolts fastening the Seat Arm into place.
 - o Remember to replace the same bolts and nylon washers exactly to their original place and order.
 - o For added security, Blue Locktite or similar should be added to the threads of the bolt when replacing the Acorn nuts.
 - o Tighten hardware only to bring all gaps to a close, from both ends of the fasteners to between the inside washers. Do not overtighten!



2. After securing the hardware. Use the carabiner to hang the Sling hooks as seen below.

