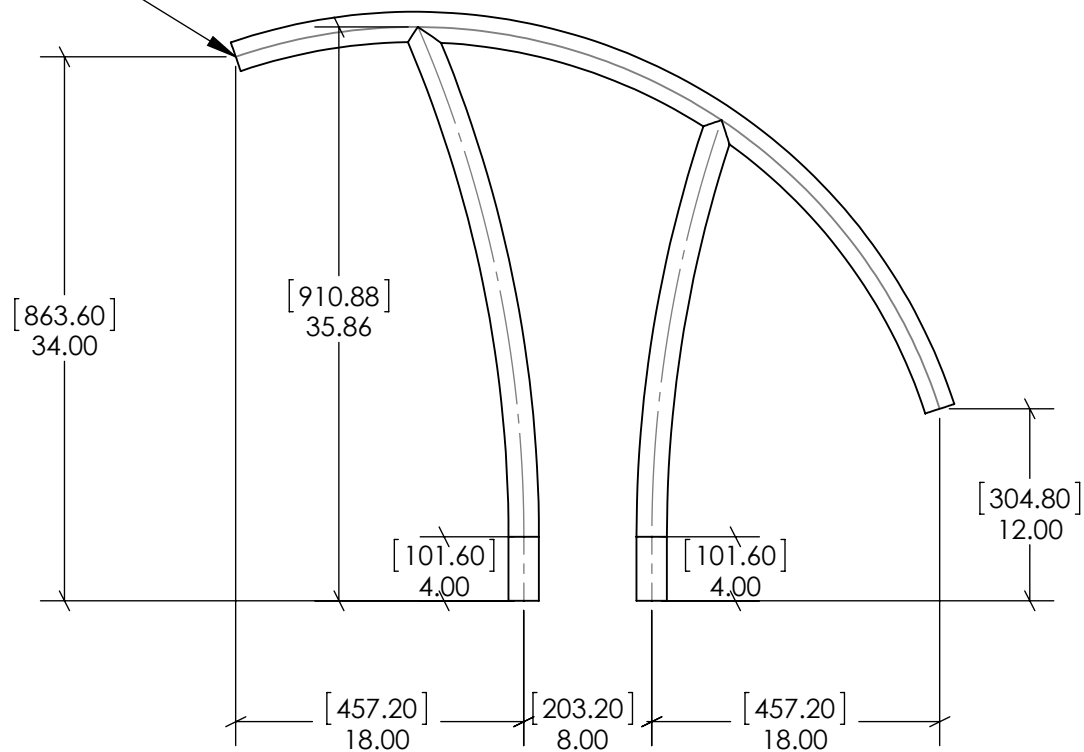


S/S ENDCAP
(BOTH ENDS)



UNLESS OTHERWISE SPECIFIED
DIMENSIONS ARE IN INCHES,
TOLERANCES ARE:

WELDED LEG LOCATION.....+/- .125
ANGLES.....+/- .5 DEGREES
ELEVATIONS.....+/- .125
OVERALL LENGTH
UNDER 18'.....+/- .188
OVER 18'.....+/- .375

DESCRIPTION:

ARTISAN DECK RAIL - MARINE GRADE

MATERIAL:

1.90 x .065 (316L) S/S TUBING

PART NO.:

ART-1001-MG

REV.

A

DRAWN BY:

DTJ

DATE: 1/10/13

CHECKED BY:

DATE:



P.O. BOX 400 - 1017 S.W. BERG PARKWAY
CANBY, OREGON 97013
PHONE (503) 266-2231

SIZE:

A

SCALE: 1:24

SHEET 1 OF 1

RAIL #

JOB #

QUANTITY:

1 PAIR

WEIGHT:

15.0 LBS.