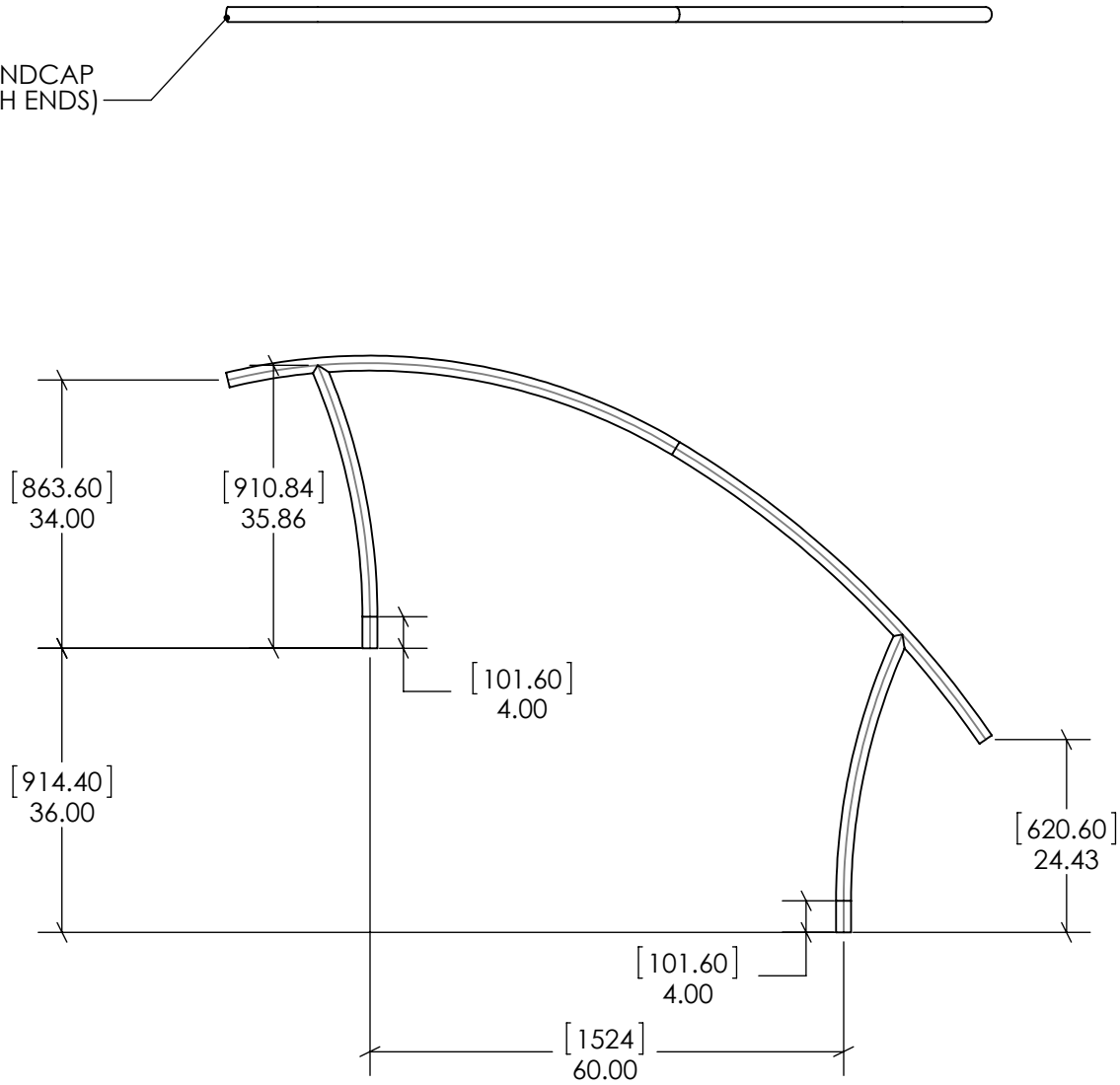


S/S ENDCAP  
(BOTH ENDS)



UNLESS OTHERWISE SPECIFIED  
DIMENSIONS ARE IN INCHES,  
TOLERANCES ARE:

WELDED LEG LOCATION.....+/- .125  
ANGLES.....+/- .5 DEGREES  
ELEVATIONS.....+/- .125  
OVERALL LENGTH  
UNDER 18'.....+/- .188  
OVER 18'.....+/- .375

DESCRIPTION:

ARTISAN RAMP RAIL  
MARINE GRADE

MATERIAL:  
1.90 x .065 (316L) S/S TUBING

PART NO.: ART-1002-MG

REV. A

DRAWN BY: DTJ DATE: 1/10/13

REVISED BY: DATE:



P.O. BOX 400 - 1017 S.W. BERG PARKWAY  
CANBY, OREGON 97013  
PHONE (503) 266-2231

SIZE: A SCALE: 1:24 SHEET 1 OF 1

RAIL #	JOB #
QUANTITY: 1	WEIGHT: 25.0 LBS.