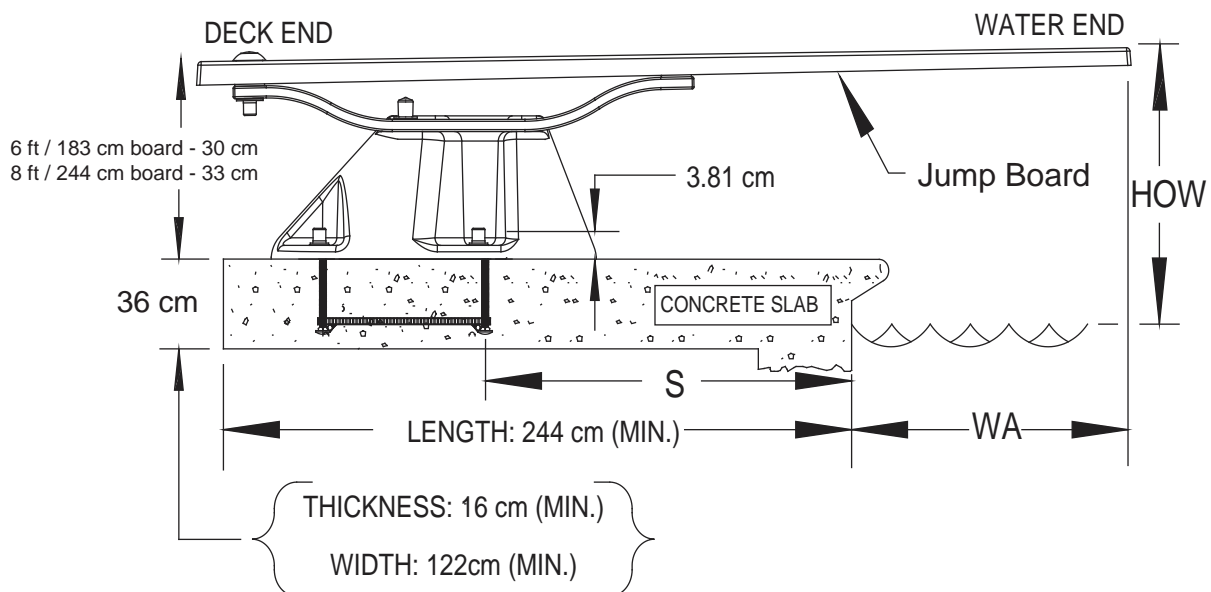


# SALT POOL JUMP SYSTEM



	6 ft / 183 cm board - 30 cm 8 ft / 244 cm board - 33 cm
	6 ft/183 cm - 3 boxes 25 x 20 x 11 in / 64 x 51 x 28 cm 40 x 5 x 3 in / 102 x 13 x 8 cm 74 x 20 x 3 in / 188 x 51 x 8 cm 8 ft/244 cm - 3 boxes 25 x 20 x 11 in / 64 x 51 x 28 cm 48 x 5 x 3 in / 122 x 13 x 8 cm 98 x 20 x 3 in / 249 x 51 x 8 cm
	250 lb / 114 kg
	6 ft/183 cm - 89 lbs/ 40 kg 8 ft/244 cm - 111 lbs/50 kg
	<div style="display: flex; justify-content: space-around;"> <div style="text-align: center;">  TAUPE             </div> <div style="text-align: center;">  PEWTER GRAY             </div> <div style="text-align: center;">  RADIANT WHITE             </div> </div>

**EN** Corrosion resistant. Designed for retrofit. **ES** Resistente a la corrosión. Diseñado para actualización. **FR** Anticorrosif. Conçu pour s'ajuster. **DE** Korrosionsbeständig. Für Nachrüstungen ausgelegt. **IT** Resistente alla corrosione. Progettato per il riadattamento.



Verify pool dimensions meet the 2015 ISPC standards for diving board use. Visit [www.srsmith.com](http://www.srsmith.com) for more details.

