



Product Specifications - Written

Product Name: Velocity Starting Platform – Long Reach

Part Number: VELOLR-TS-TA, VELOLR-TS-SA, VELOLR-TA, VELOLR-SA

General Notes: The weldment frame is stainless steel, which is powder coated for corrosion resistance. This platform can be fabricated to fit most any pool deck and water height dimension. The track start wedge is adjustable to five positions, and has the ability to tuck underneath the platform top when not in use. The starting platform can also be ordered without the track start wedge (VELOLR-TA & VELOLR-SA). The RockSolid® anchor (patent #8033077) includes an adjustable wedge that is designed to exert continuous, even pressure on the post to eliminate movement.

Application: Depending upon installation design and local codes, this model is suitable for use on competitive pools. The deck to water level dimension and desired setback determine what configuration should be ordered.

Specifications:

- 1 Platform Top: The platform is constructed with RTM fiberglass with an internal honeycomb core for exceptional strength. Both TrueTread™ and sand tread are available surfaces. TrueTread™ is a unique composite surface material, which has a raised diamond pattern for slip resistance, and is available in gray, blue, red and yellow. Sand tread is also an option and allows for custom tread colors and logos. The platform is mounted onto the weldment frame at a 10° angle. Dimensions are 28” x 32” (711mm x 813 mm)
- 2 Platform Frame: The long reach platform frame is constructed of 2.5 in² (63.5mm²) x .120 in (3.05mm) wall stainless steel tubing. The footboard and backstroke bar are attached to 1.5 in² (38mm²) x .065 in wall (1.65mm) stainless steel tubing and have caps welded to the ends. A backstroke bar constructed of 1.00” O.D. x .065 wall (25.40mm x 1.65) stainless steel tubing is also capped with stainless steel. The gussets and footboard plate are made of .188” (4.76mm) stainless steel. The frame is powder coated for added corrosion resistance in four standard colors. Custom colors are also available for an additional fee.
- 3 Step: Large, moulded step with smooth, durable gel-coat finish and cross-woven fiberglass for structural support. TrueTread™ or sand tread footing surface. Dimensions are 9” x 14” (229mm x 356mm).
- 4 Wedge: The angular wedge is constructed of RTM fiberglass. The wedge has a TrueTread™ or sand tread surface. The wedge is contained within acetal tracks mounted on both sides of the platform; which allow it to slide to the desired distance or to be stowed underneath the platform.
- 5 Escutcheon: The square escutcheon plate is stamped from .063” (.58mm) polished 304 stainless steel, powder coated to match the platform frame. The outer dimensions are 5” x 5” x 1/2 (127mm x 127mm x 12.7mm).
- 6 RockSolid™ Anchor: (p/n 27-107, not shown see SRS-920 spec sheet). This single post anchor assembly is specially designed to prevent rocking and the liner can be replaced when worn. The assembly consists of a housing constructed of 4.00 in² (101.6 mm²) x .120” wall (3.05mm) stainless steel tubing welded onto a 4.5 in² (114.30mm²) flange. The anchor is threaded and comes with a 1/4-20 UNC stainless steel grounding screw for bonding. The insert is made of urethane resin to facilitate removal of the platform. A flush mount stainless steel cap is provided to use when the platform is temporarily removed.

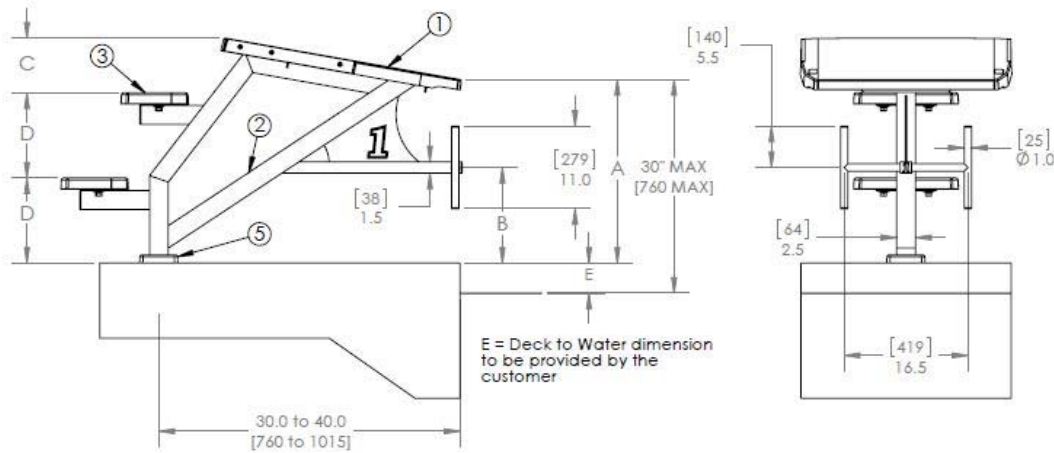
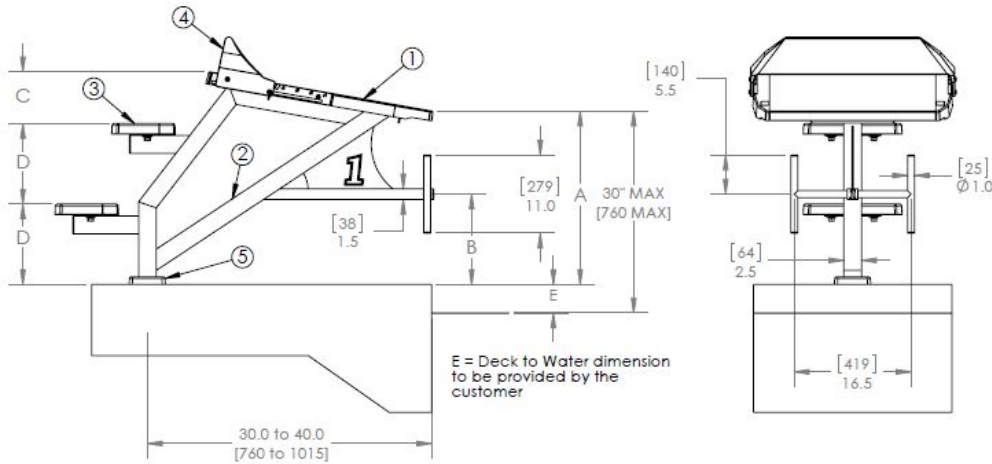
Specification Number:	SRS-317	
Product Description:	Velocity Starting Platform – Long Reach	
S.R. Smith Part Number:	VELOLR-TS-TA, VELOLR-TS-SA, VELOLR-TA, VELOLR-SA	
Revision:		Date:
Written By:	O. Hoskinson	Date: 11/16/15
Approved By:		Date:
Page 2 of 2	Proprietary and confidential: The information contained in this specification is the sole property of S.R. Smith LLC. Any reproduction in part or whole without the written consent of S.R. Smith LLC is prohibited.	

S.R. Smith, LLC
P.O. Box 400, 1017 SW Berg Parkway
Canby, Oregon 97013
Tel: (888) 677-7776 (503) 266-2231
Fax: (503) 266-4334
www.srsmith.com



Product Specifications - Drawn

Velocity Starting Platform – Long Reach (with and without track start)



Specification Number:	SRS-317	
Product Description:	Velocity Starting Platform – Long Reach	
S.R. Smith Part Number:	VELOLR-TS-TA, VELOLR-TS-SA, VELOLR-TA, VELOLR-SA	
Revision:		Date:
Written By:	O. Hoskinson	Date: 11/16/15
Approved By:		Date:
Page 1 of 1	Proprietary and confidential: The information contained in this specification is the sole property of S.R. Smith LLC. Any reproduction in part or whole without the written consent of S.R. Smith LLC is prohibited.	

S.R. Smith, LLC
 P.O. Box 400, 1017 SW Berg Parkway
 Canby, Oregon 97013
 Tel: (888) 677-7776 (503) 266-2231
 Fax: (503) 266-4334
www.srsmith.com