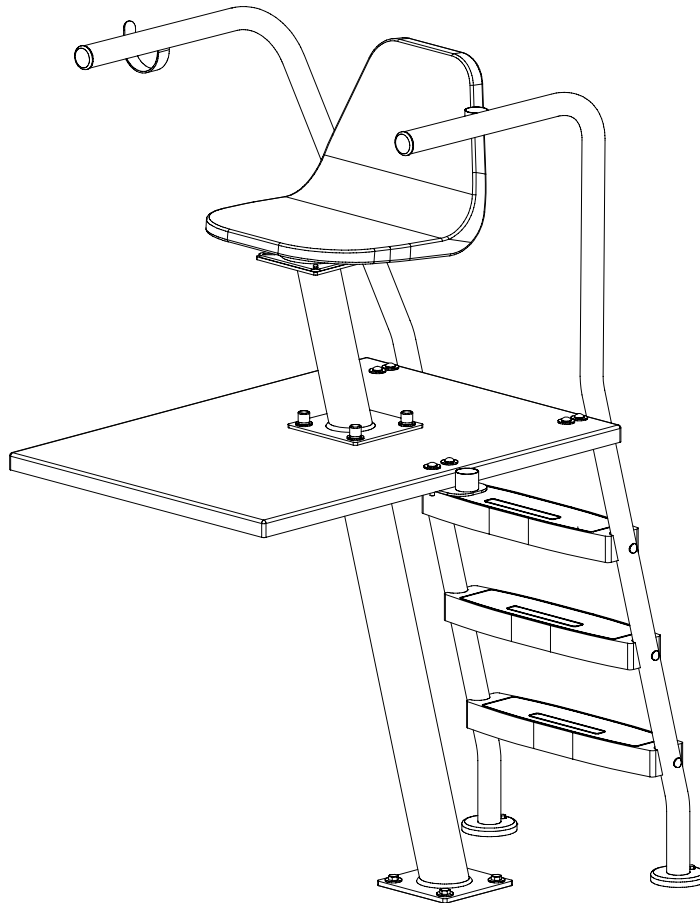


S.R. Smith **COMMERCIAL**

OUTLOOK II™ LIFEGUARD CHAIR

ASSEMBLY AND INSTALLATION INSTRUCTIONS



**CORPORATE HEADQUARTERS
WESTERN SALES AND MANUFACTURING PLANT
P.O. Box 400 • 1017 SW Berg Parkway
Canby, Oregon 97013
(503) 266-2231 • Fax (503) 266-4334
www.srsmith.com**

INTRODUCTION

The Outlook II™ Guard Chair is designed for use on competitive and commercial swimming pools. Proper and complete assembly, use, and maintenance are essential for proper operation and to reduce the risk of accident or injury.

****IMPORTANT****

Check entire box and inside all packing materials for parts. Before beginning assembly, read the instructions and identify parts using the figures and parts listed in this document. It is critical that all parts be carefully inspected by the installer prior to installation to ensure that no damage occurred in transit and that a damaged part is not used. Proper installation cannot be overstressed, as an improper installation voids S.R. Smith's warranty and may affect the safety of the user.

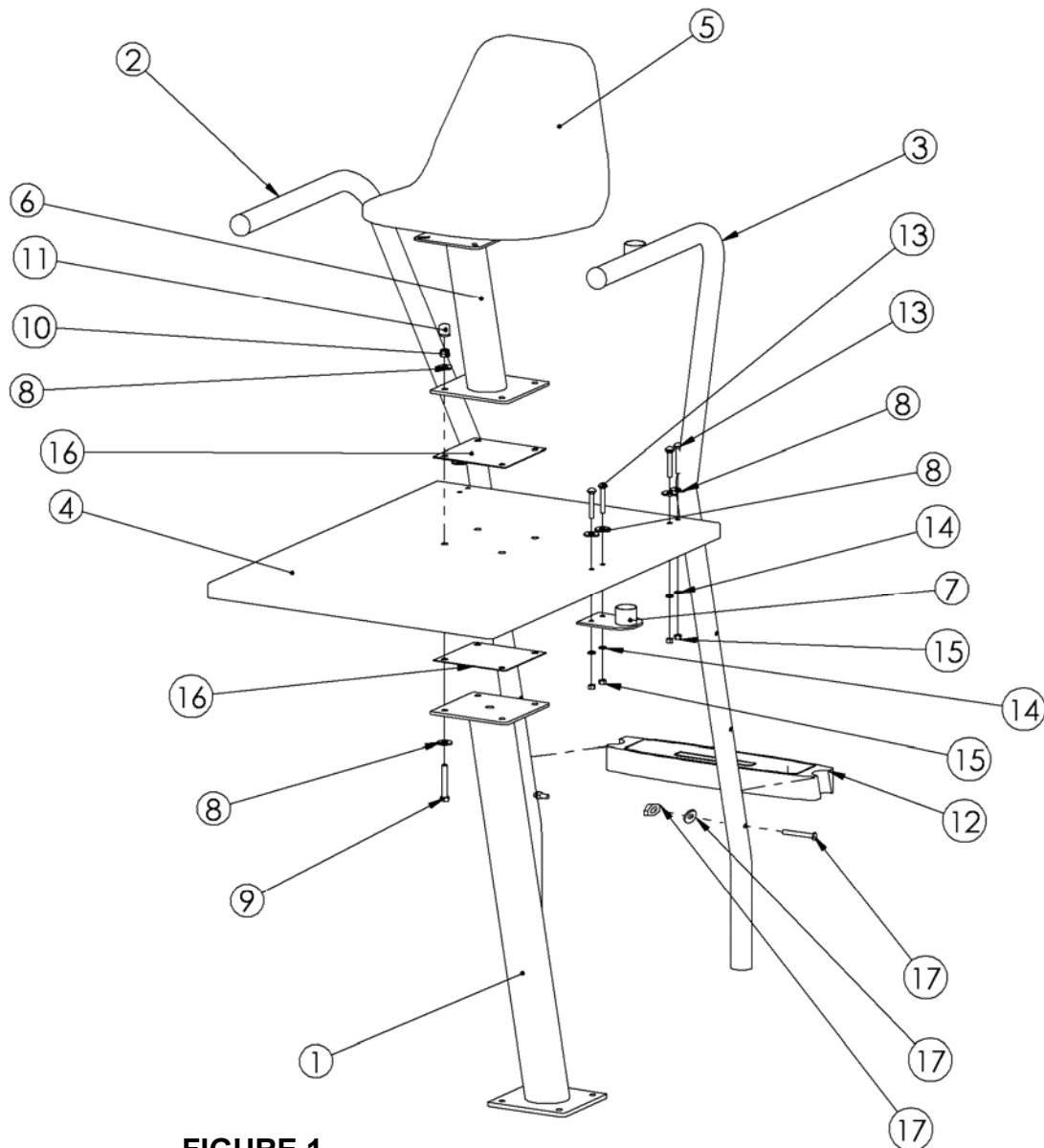


FIGURE 1

OUTLOOK II PARTS LIST

ITEM NO.	QTY.	PART NO.	DESCRIPTION
1	1	13-121	MAIN PEDESTAL OUTLOOK II
2	1	20-127	RT SIDE RAIL - OUTLOOK II
3	1	20-126	LT SIDE RAIL - OUTLOOK II
4	1	8-614	FOOTBOARD 30 X 42 OUTLOOK II
5	1	13-111	LIFEGUARD SEAT W/ SWIVAL
6	1	13-118	SWIVAL SEAT PEDESTAL 3" S.S.
7	1	20-116	UMBRELLA HOLDER ASSEMBLY
8	14	05-14-114	1/2" S/S FLAT WASHER
9	4	5-124	1/2" X 3" HEX HEAD BOLT S/S
10	4	05-14-116	1/2" HEX NUT S/S
11	4	05-618	1/2" PLASTIC NUT CAP
12	3	2350105	TREAD, WHT 15 DEGREE
13	6	2020049	3/8" x 2-1/2" CARRIAGE BOLT S.S.
14	6	5-151	3/8" LOCK WASHER S/S
15	6	5-139	3/8" HEX NUT S/S
16	2	8-510	GASKET 7-1/2 X 7-1/2
17	2	60-704	LADDER BOLT PKG - 3 STEP ECONO
18	2	EP-100F	ESCUTCHEON 1.90" S/S ROUND

ASSEMBLY INSTRUCTIONS

1. Begin by locating the main pedestal assembly as shown in **FIGURE 1**. Attach the main pedestal to the previously installed cage anchor using the (4) 1/2" hex head bolts and the four (4) 1/2" flat washers supplied with the anchor. **NOTE:** Do not tighten any hardware until final step.
2. **Slide round escutcheons over ends of left and right side rails before putting them in the wedge anchors.** Insert the left and right side rails into the previously installed rear wedge anchors. Attach the three 15° white steps using the supplied pre-packaged hardware. Each step is fastened using a (2ea) 3/8" gusset head bolt, 3/8" flat washer, and 3/8" hex nut. See **FIGURE 2**
3. Attach the footboard and the seat pedestal assembly to the main pedestal using (4) 1/2"x3" hex head bolt, (8) 1/2" flat washer, (4) 1/2" hex nut, and (4) 1/2" plastic nut cap as shown in **FIGURE 3**. A rubber gasket is placed both above and below the footboard, in-between the stainless steel plates and the footboard.

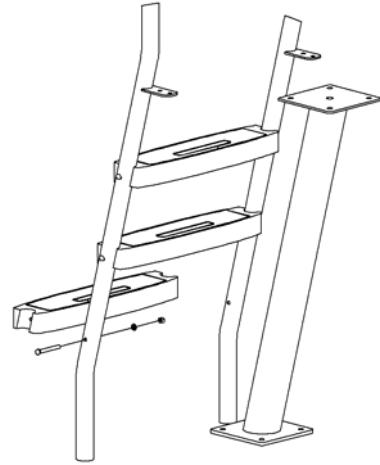


FIGURE 2

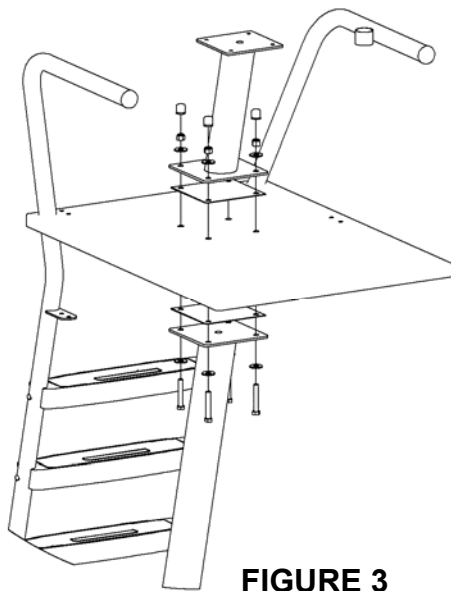


FIGURE 3

4. Attach both side rails to the footboard using (2 ea.) 3/8"x2-1/2" carriage bolt, 1/2" flat washer, 3/8" lock washer, and 3/8" hex nut. **FIGURE 4**

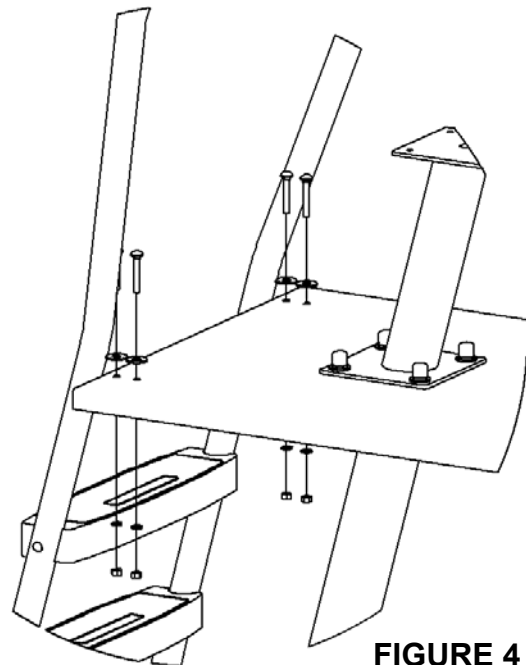


FIGURE 4

5. Attach the seat/swivel assembly to the top of the seat pedestal using the supplied hardware within the seat packaging.

6. Attach the umbrella holder using (2 ea.) 3/8"x2-1/2" carriage bolt, 1/2" flat washer, 3/8" lock washer, and 3/8" hex nut. See **FIGURE 5**

7. Check to assure all steps have been completed and fully tighten all hardware.

8. The Outlook II™ Guard Chair unit is to be anchored to the deck using two 4" deep AS-100B anchor sockets, and the Outlook II™ cage anchor assembly (both ordered separately). Install the anchors in the pool deck according to **FIGURE 6**. Properly ground the anchor sockets using the attached grounding screw and appropriate grounding wire per local codes. Allow concrete to cure before installing the Outlook II™ Guard Chair unit.

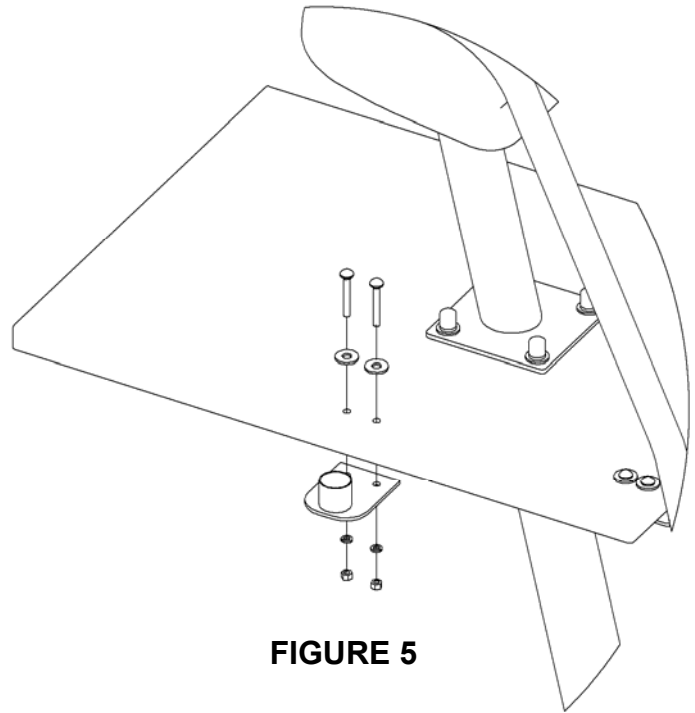


FIGURE 5

9. On retro-fit applications, the Outlook II™ Guard Chair may be anchored with two 4" deep anchor sockets and four 1/2" expansion anchors to replace the front cage anchor assembly.

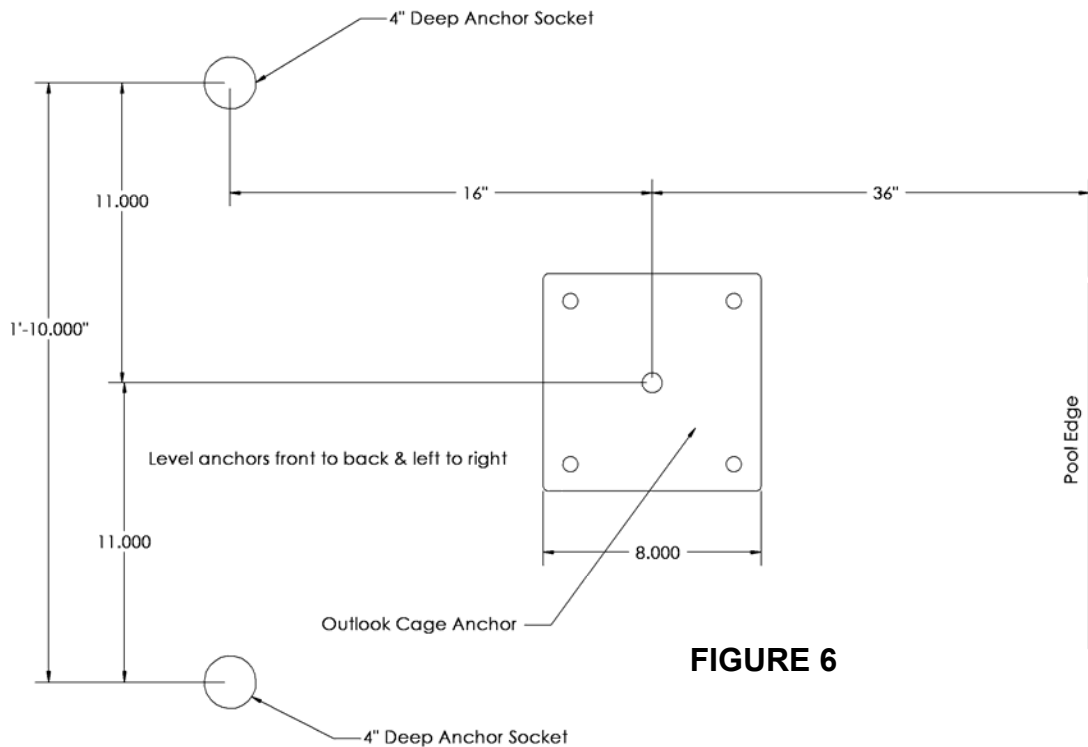


FIGURE 6

- **SAFETY & MAINTENANCE INSTRUCTIONS**

- Do not dive or jump from any part of this guard chair.
- Periodically inspect the Outlook II™ to assure there are no worn parts and that all hardware is properly tightened.
- All stainless steel parts require periodic maintenance. Polishing with a cotton cloth and a Windex-type product maintains the finish and restores luster.
- Use non-abrasive soap and water. Avoid harsh chemicals and disinfectants. Always read the label instructions on any cleaner carefully before applying it to a surface.