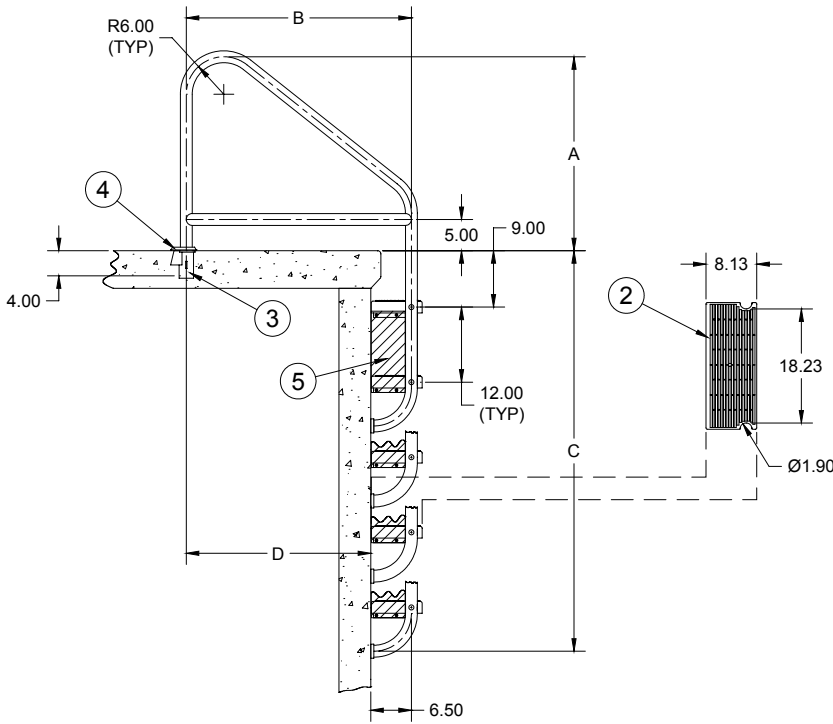
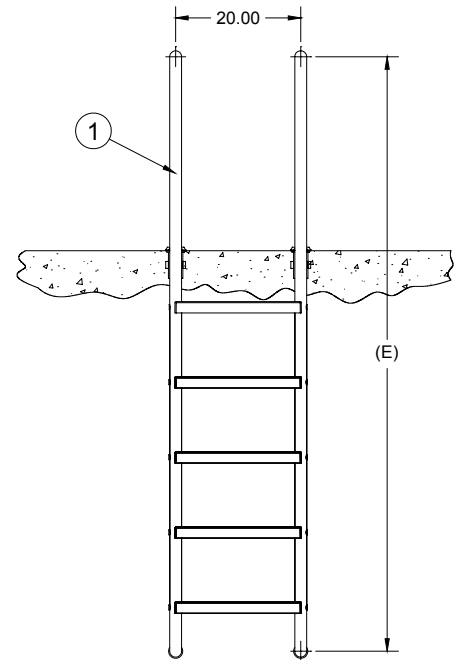


Cross Brace Commercial Safety Ladder



SIDE VIEW



FRONT VIEW

MODEL NUMBER	A	B	C	D	(E)
LFB-24-2AT	26.00	24.00	28.00	17.50	54.00
LFB-24-3BT	26.00	24.00	40.00	17.50	66.00
LFB-24-4CT	26.00	24.00	52.00	17.50	78.00
LFB-24-5DT	26.00	24.00	64.00	17.50	90.00
LFB-30-2AT	26.00	30.00	28.00	23.50	54.00
LFB-30-3BT	26.00	30.00	40.00	23.50	66.00
LFB-30-4CT	26.00	30.00	52.00	23.50	78.00
LFB-30-5DT	26.00	30.00	64.00	23.50	90.00
LFB-36-2AT	31.00	36.00	28.00	29.50	59.00
LFB-36-3BT	31.00	36.00	40.00	29.50	71.00
LFB-36-4CT	31.00	36.00	52.00	29.50	83.00
LFB-36-5DT	31.00	36.00	64.00	29.50	95.00

Specification Number:	SRS-509	
Product Description:	Cross Brace Commercial Safety Ladder	
S.R. Smith Part Number:	LFB-24-2AT to LFB-36-5DT	Scale: NTS
Revision:	A	Date: 04/20/04
Written By:	J. Pilon	Date: 04/20/04
Approved By:	B. Bisceglia	Date: 04/20/04
Page 1 of 2	Proprietary and confidential: The information contained in this specification is the sole property of S.R. Smith LLC. Any reproduction in part or whole without the written consent of S.R. Smith LLC is prohibited.	

S.R. Smith, LLC
P.O. Box 400, 1017 SW Berg Parkway
Canby, Oregon 97013
Tel: (888) 677-7776 (503) 266-2231
Fax: (503) 266-4334
www.srsmith.com



S.R. Smith LLC Commercial Division

Product Specifications - Written

Product Name: Cross Brace Commercial Safety Ladder

Part Number: LFB-24-2AT to LFB-36-5DT

General Notes:

The **Cross Brace Commercial Safety Ladder** series are moderate height ladders with moderate to long reach. The frames are polished type 304 stainless steel and the steps are slip resistant plastic. The ladder is available in 2, 3, 4, or 5 steps.

Application:

With proper anchoring, the Cross Brace Commercial Safety Ladder is suitable for use on poured concrete, shotcrete, fiberglass, and vinyl commercial pools and spas where a cross brace ladder is required as well as for other applications in most geographic areas.

Specifications:

- 1 **Frame:** The frames are made of 1.9" O.D. X .065 (48.3mm x 1.65) type 304 stainless steel and all bends are a nominal 6" (152.4mm) radius. The lower ends of the frames are bent to meet the pool wall and are fitted with white rubber bumpers. The cross brace is continuously welded to the front and rear legs by a tungsten inert gas process.
- 2 **Steps:** The steps are made from acrylic plastic and have a slip resistant top surface. The nominal dimensions are 8" X 20 (203mm x 508). Extra horizontal depth adds security and support.
- 3 **Escutcheon (Optional)** (p/n EP-100F): This recommended round escutcheon plate is 4.55" (115.6mm) in diameter and is made of polished stainless steel. Alternative escutcheons include p/n IEP-100 or EP-100A.
- 4 **Anchor Assembly:** AS-100B (see spec sheet for SRS-908) These recommended anchor sockets are brass castings. They are intended for heavy-duty commercial use and secure ladders by means of a wedge assembly. The anchor comes with a brass grounding screw for bonding. Alternative anchor assemblies include p/n: (IAS-100, see spec sheet for SRS-913).
- 5 **Side Skirts:** The side skirts add extra support and are made from acrylic plastic, and are 1/8" (3.18mm) thick.

Product Numbers and Shipping Weights:

MODEL NUMBER	DESCRIPTION	SHIPPING WEIGHT
LFB-24-2AT	24 Inch 2-Step Ladder	41 lbs. (18.6kg)
LFB-24-3BT	24 Inch 3-Step Ladder	46 lbs. (20.9kg)
LFB-24-4CT	24 Inch 4-Step Ladder	52 lbs. (23.6kg)
LFB-24-5DT	24 Inch 5-Step Ladder	57 lbs. (25.9kg)
LFB-30-2AT	30 Inch 2-Step Ladder	43 lbs. (19.5kg)
LFB-30-3BT	30 Inch 3-Step Ladder	48 lbs. (21.8kg)
LFB-30-4CT	30 Inch 4-Step Ladder	54 lbs. (24.5kg)
LFB-30-5DT	30 Inch 5-Step Ladder	59 lbs. (26.8kg)
LFB-36-2AT	36 Inch 2-Step Ladder	47 lbs. (21.3kg)
LFB-36-3BT	36 Inch 3-Step Ladder	52 lbs. (23.6kg)
LFB-36-4CT	36 Inch 4-Step Ladder	58 lbs. (26.3kg)
LFB-36-5DT	36 Inch 5-Step Ladder	63 lbs. (28.6kg)

Specification Number:	SRS-509	
Product Description:	Cross Brace Commercial Safety Ladder	
S.R. Smith Part Number:	LFB-24-2AT to LFB-36-5DT	
Revision:	A	Date: 04/20/04
Written By:	J. Pilon	Date: 04/20/04
Approved By:	B. Bisceglia	Date: 04/20/04
Page 2 of 2	Proprietary and confidential: The information contained in this specification is the sole property of S.R. Smith LLC. Any reproduction in part or whole without the written consent of S.R. Smith LLC is prohibited.	

S.R. Smith, LLC
P.O. Box 400, 1017 SW Berg Parkway
Canby, Oregon 97013
Tel: (888) 677-7776 (503) 266-2231
Fax: (503) 266-4334
www.srsmith.com