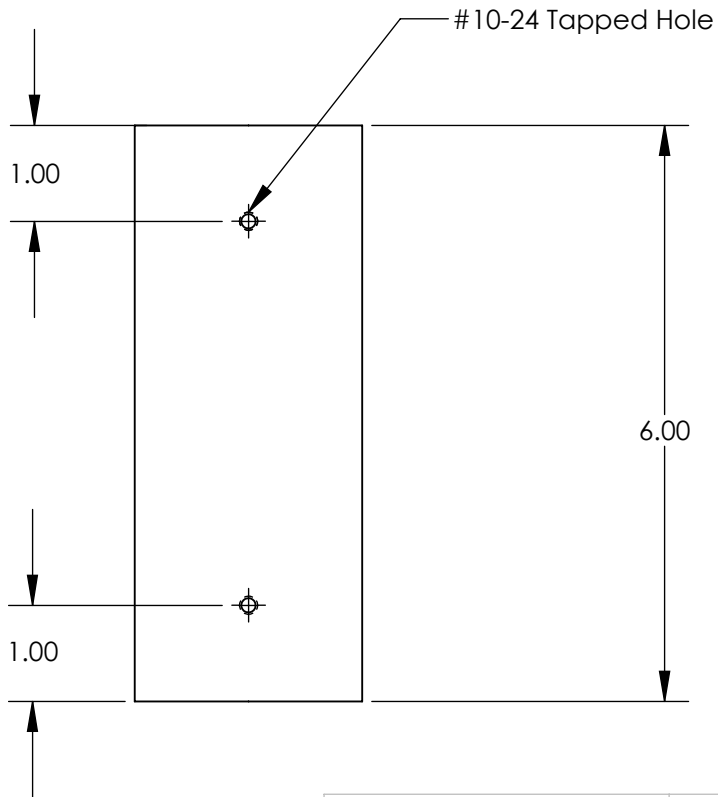
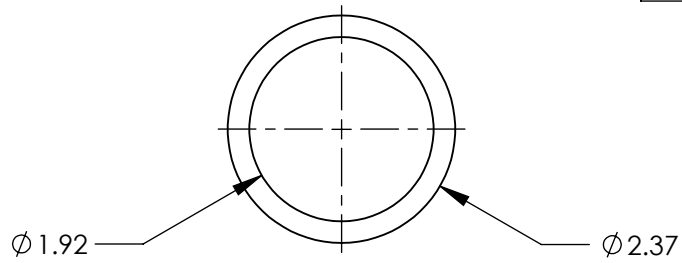


REVISIONS			
REV.	DESCRIPTION	DATE	ECN



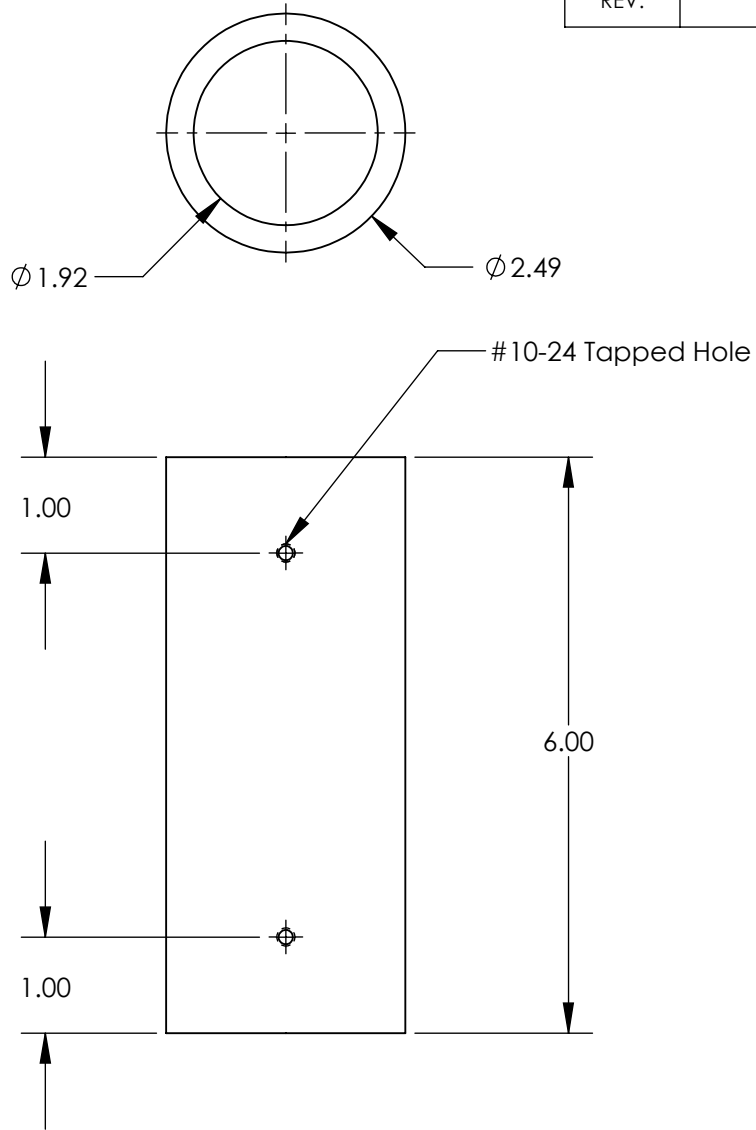
UNLESS OTHERWISE SPECIFIED  
DIMENSIONS ARE IN INCHES,  
TOLERANCES ARE:  
FRACTIONAL: ..... ±1/16  
ANGULAR: ..... ±1°  
TWO PLACE DECIMAL: .... ±.015  
THREE PLACE DECIMAL: .. ±.005

DESCRIPTION: Round Stem Sleeve 2 3/8" Anchor	
MATERIAL: Plastic	
PART NO.: 300-6210	REV. A
DRAWN BY: MEK	DATE: 7/13/12
CHECKED BY:	DATE:

**SR Smith™**  
P.O. BOX 400 - 1017 S.W. BERG PARKWAY  
CANBY, OREGON 97013  
PHONE (503) 266-2231

SIZE: A	SCALE: 1:2	SHEET 1 OF 1
---------	------------	--------------

REVISIONS			
REV.	DESCRIPTION	DATE	ECN

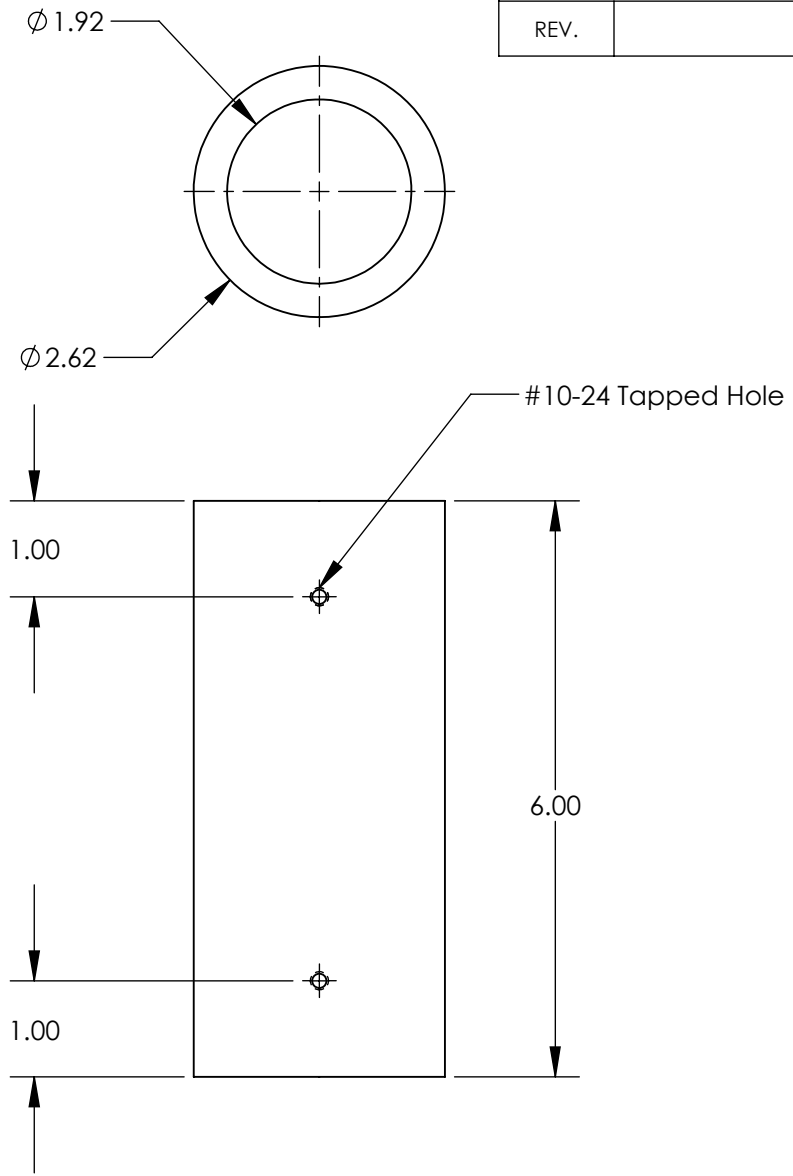


UNLESS OTHERWISE SPECIFIED  
 DIMENSIONS ARE IN INCHES,  
 TOLERANCES ARE:  
 FRACTIONAL: .....  $\pm 1/16$   
 ANGULAR: .....  $\pm 1^\circ$   
 TWO PLACE DECIMAL: ....  $\pm .015$   
 THREE PLACE DECIMAL: ..  $\pm .005$

DESCRIPTION: Round Stem Sleeve 2.5" Anchor	
MATERIAL: Plastic	
PART NO.: 300-6220	REV. A
DRAWN BY: MEK	DATE: 7/13/12
CHECKED BY:	DATE:

**SR Smith™**  
 P.O. BOX 400 - 1017 S.W. BERG PARKWAY  
 CANBY, OREGON 97013  
 PHONE (503) 266-2231

SIZE: A	SCALE: 1:2	SHEET 1 OF 1
---------	------------	--------------



REVISIONS			
REV.	DESCRIPTION	DATE	ECN

UNLESS OTHERWISE SPECIFIED  
 DIMENSIONS ARE IN INCHES,  
 TOLERANCES ARE:  
 FRACTIONAL: ..... ±1/16  
 ANGULAR: ..... ±1°  
 TWO PLACE DECIMAL: .... ±.015  
 THREE PLACE DECIMAL: .. ±.005

DESCRIPTION: Round Stem Sleeve 2 9/16" Anchor	
MATERIAL:	
PART NO.: 300-6230	REV. A
DRAWN BY: MEK	DATE: 7/13/12
CHECKED BY:	DATE:

**SR Smith™**  
 P.O. BOX 400 - 1017 S.W. BERG PARKWAY  
 CANBY, OREGON 97013  
 PHONE (503) 266-2231

SIZE: A	SCALE: 1:2	SHEET 1 OF 1
---------	------------	--------------