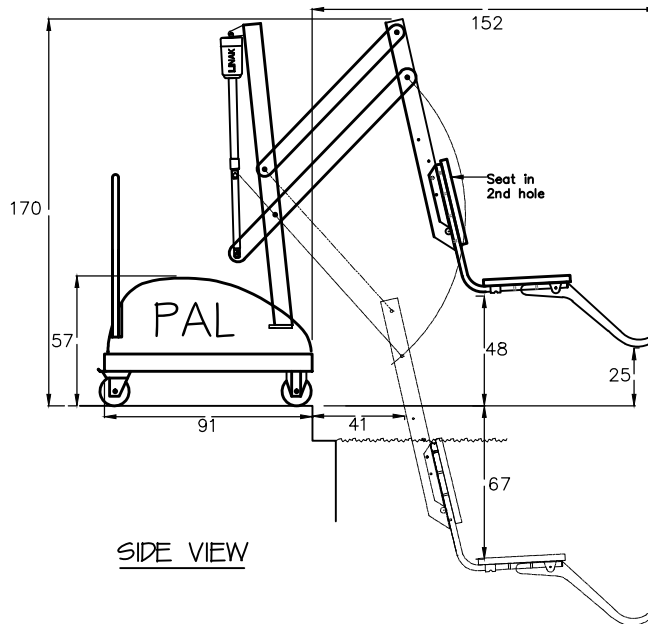
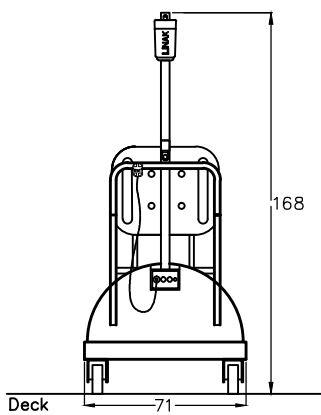
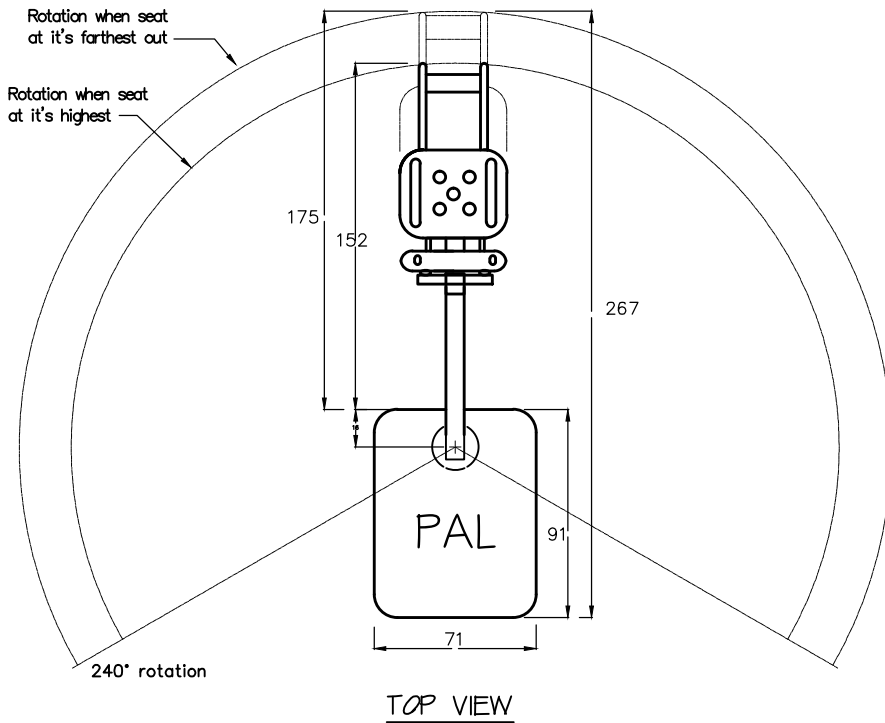


# PAL STANDARD POOL LIFT

- NOTES:  
 1. DRAWINGS SHOW KEY VIEWS OF LIFT.  
 2. INSTALLATION TO BE COMPLETED IN ACCORDANCE WITH MANUFACTURER'S SPECIFICATIONS.  
 3. DO NOT SCALE DRAWINGS.



This represents the most current information on this product. However, S.R. Smith, LLC assumes no liability for its use.



S.R. Smith, LLC  
 P.O. Box 400  
 Canby, OR 97013  
 PH: 888-824-4387  
 FX: 503-266-4334  
 www.srsmith.com

Product: PAL LIFT		Part Number: 200-0000	
Drawn by: LC	Date: 06-23-09	Approved by: JC	Date: 06-25-09
Drawing #: 200-0000		Rev: 0	Sheet: 0