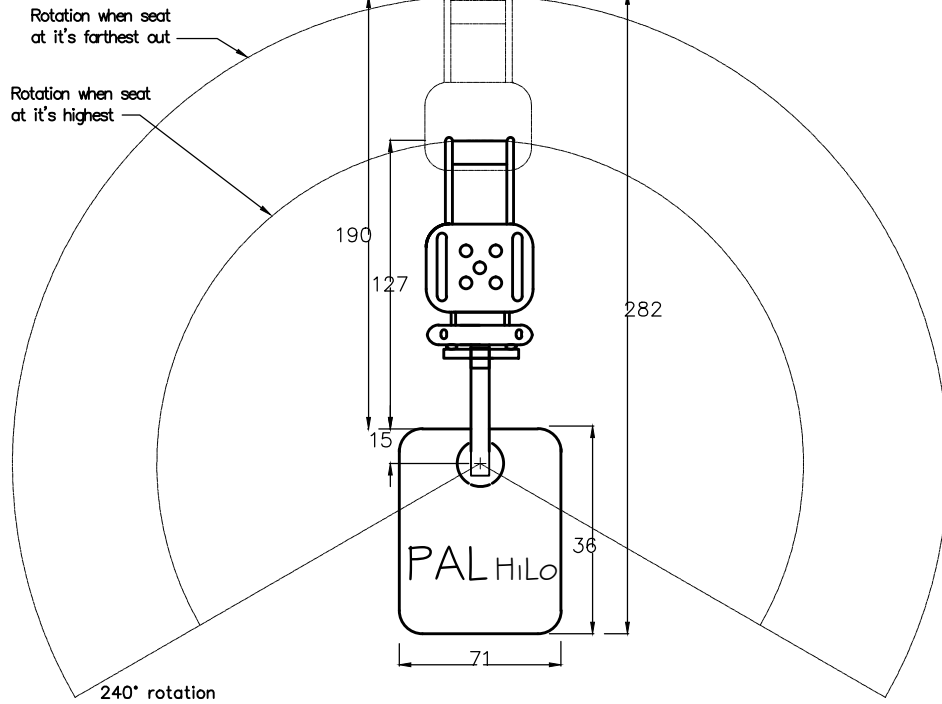
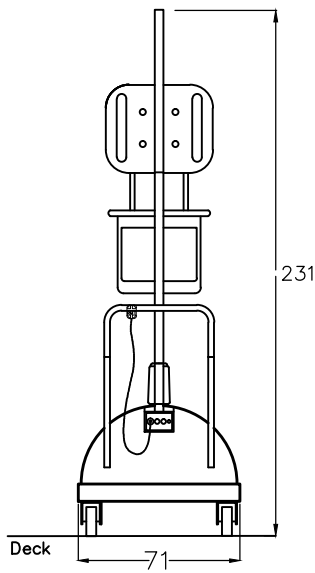


# PAL HI-LO POOL LIFT

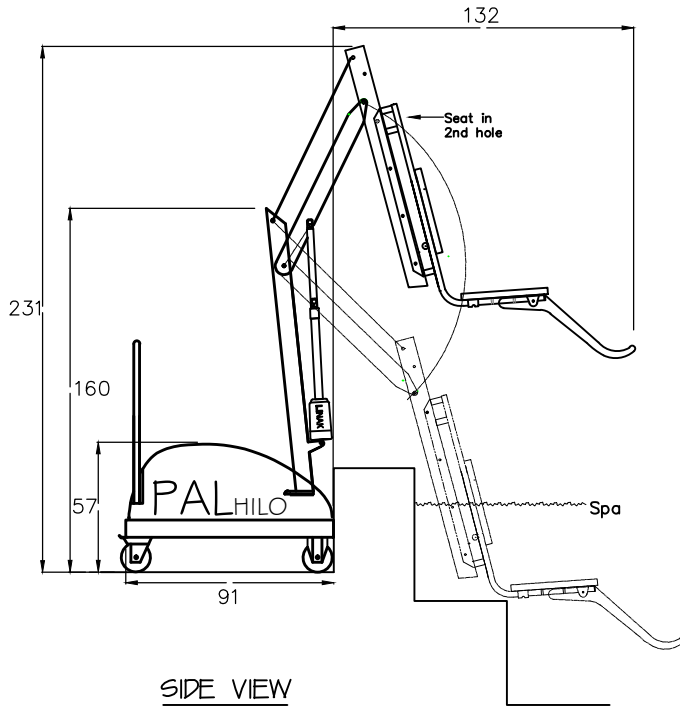


TOP VIEW

- NOTES:  
 1. DRAWINGS SHOW KEY VIEWS OF LIFT.  
 2. INSTALLATION TO BE COMPLETED IN ACCORDANCE WITH MANUFACTURER'S SPECIFICATIONS.  
 3. DO NOT SCALE DRAWINGS.



BACK VIEW



SIDE VIEW

This represents the most current information on this product. However, S.R. Smith, LLC assumes no liability for its use.



S.R. Smith, LLC  
 P.O. Box 400  
 Canby, OR 97013

PH: 888-824-4387  
 FX: 503-266-4334  
 www.srsmith.com

Product: PAL HILO LIFT

Part Number: 250-0000

Drawn by: LC

Date: 06-23-09

Approved by: JC

Date: 06-25-09

Drawing #: 250-0000

Rev: 0

Sheet: 0