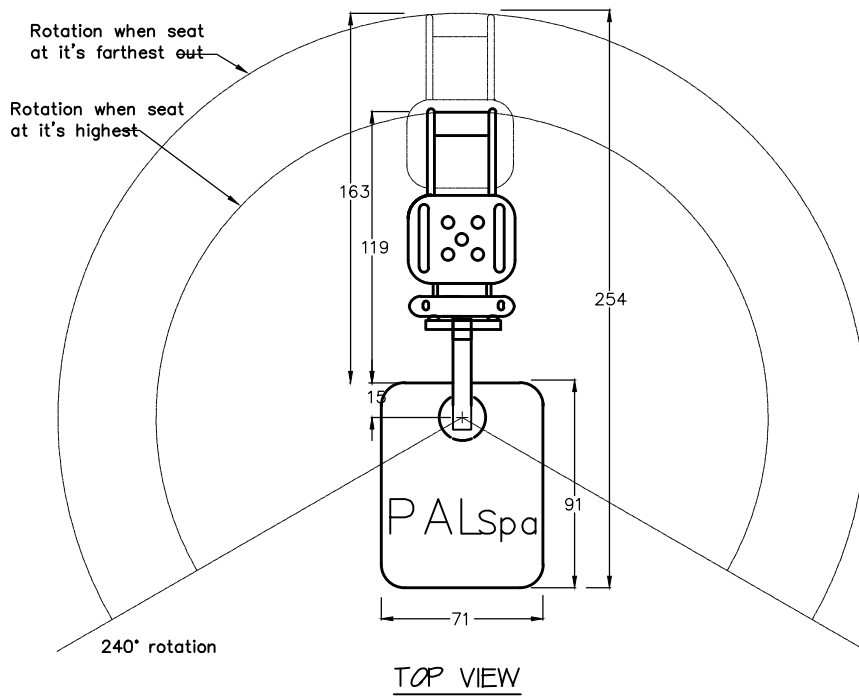
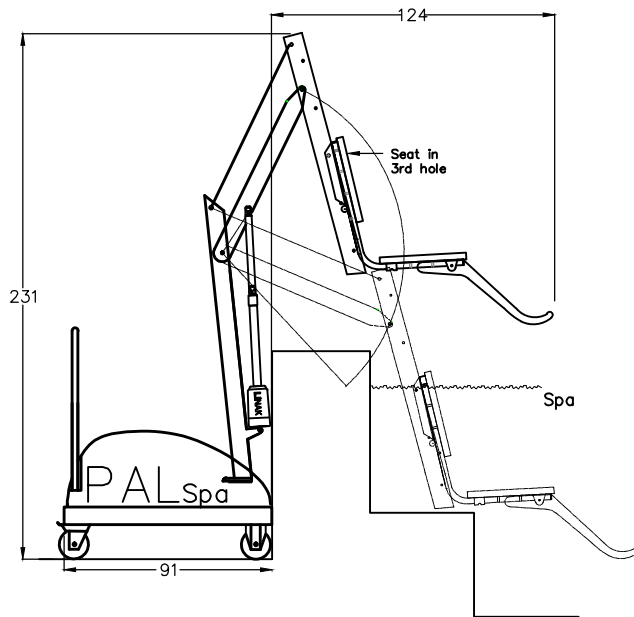
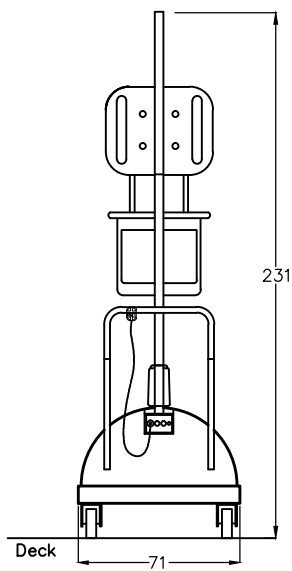


PAL SPA POOL LIFT



1. DRAWINGS SHOW KEY VIEWS OF LIFT.
2. INSTALLATION TO BE COMPLETED IN ACCORDANCE WITH MANUFACTURER'S SPECIFICATIONS.
3. DO NOT SCALE DRAWINGS.



This represents the most current information on this product. However, S.R. Smith, LLC assumes no liability for its use.



S.R. Smith, LLC
P.O. Box 400
Canby, OR 97013

PH: 888-824-4387
FX: 503-266-4334
www.srsmith.com

Product: PAL SPA LIFT		Part Number: 275-0000	
Drawn by: LC	Date: 06-23-09	Approved by: JC	Date: 06-25-09
Drawing #: 275-0000		Rev: 0	Sheet: 0