



# Product Specifications - Written

## Vortex Slide – Ladder, Full Flume

**Product Name:** Vortex®

**Part Numbers:** 695-209-224, 695-209-23

**General Notes:**

The **Vortex** is a polyethylene slide with a circular runway and steel ladder. The **Vortex** is only offered in a right hand turn.

**Application:**

This slide is intended for heavy duty use on in-ground residential or commercial pools. With proper deck anchoring, this product is suitable for use in most geographic regions. Consult with your local building code official for site specific requirements. The weight limit for this slide is 325 lbs.

**Specifications:**

- 1 **Runway:** The slide runway is made from thick, durable, roto-molded polyethylene. The water delivery system comes standard with the slide utilizing 1.5” PVC flex hose for a flow rate of up to 30 GPM. The slide length is 19’ 11”.
- 2 **Handrail:** The two (2) ladder handrails are attached permanently to the ladder and are made of 1.5” OD tubing.
- 3 **Stairs:** The ladder is inclined 20° off vertical with nine (9) steps, with 9” vertical increments for ease of climbing. Each step should have non-slip tread for added safety.
- 4 **Anchor Assembly (Included):** The slide is anchored to the deck using sixteen (16) ½” (12.70mm) diameter stainless steel anchor studs and two (2) 3/8” (9.53mm) diameter stainless steel anchor studs, with hardware.
- 5 **Plumbing:** The slide will be equipped with hardware to plumb a 1.5” nominal flex hose to the supply location shown on page two of the spec sheet.

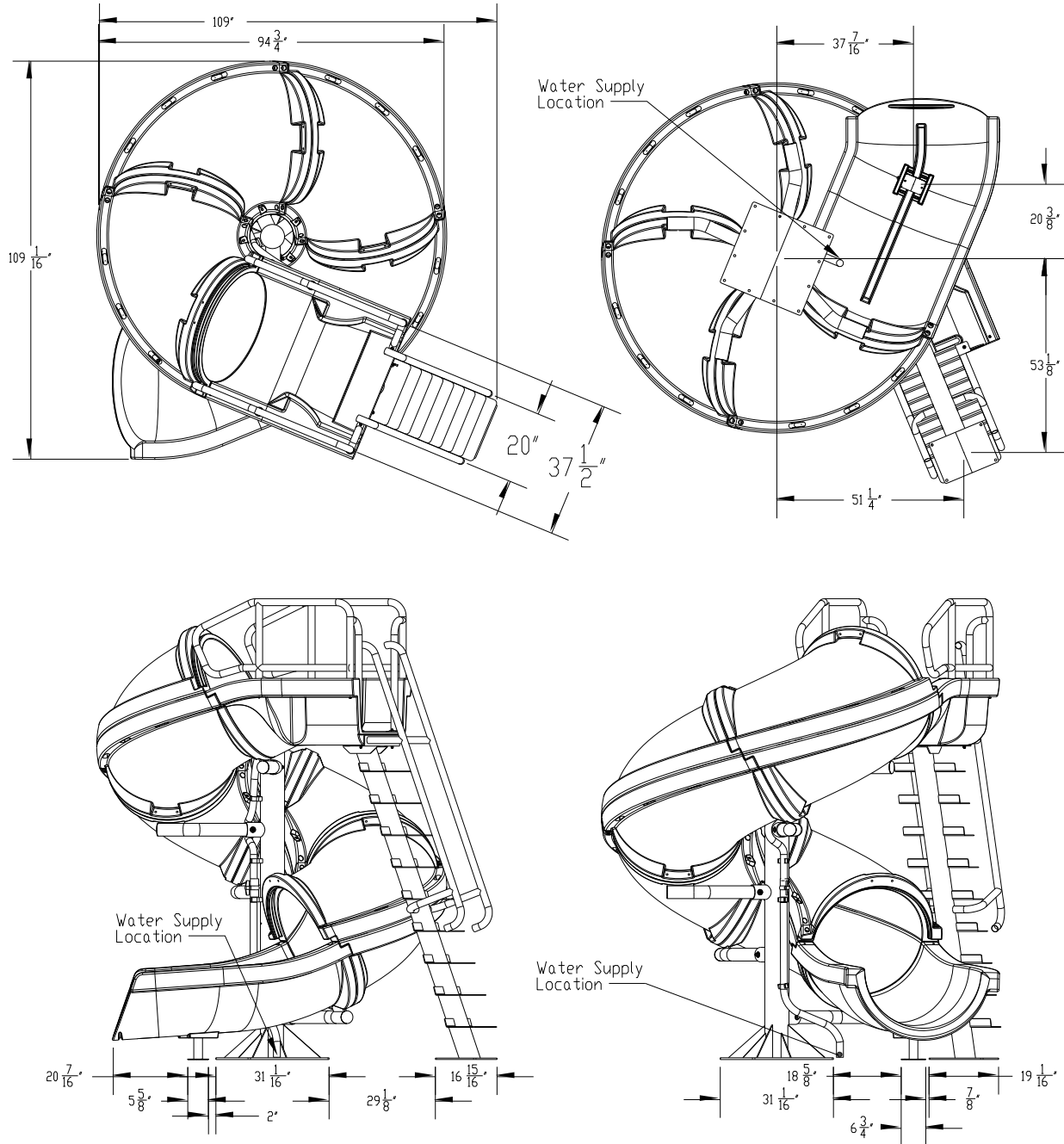
**Product Numbers and Shipping Weight:**

MODEL NUMBER	DESCRIPTION	SHIPPING WEIGHT
695-209-224	Vortex Ladder, Full Flume – Gray Granite	1580 lbs. (716.7kg)
695-209-23	Vortex Ladder, Full Flume - Blue	1580 lbs. (716.7kg)

Specification Number:	SRS-212	
Product Description:	Vortex® Slide	
S.R. Smith Part Number:	695-209-224, 695-209-23	
Revision:	C	Date: 7/25/13
Written By:	Mikha Kaiel	Date: 5/21/09
Approved By:		
Page 3 of 3	Proprietary and confidential: The information contained in this specification is the sole property of S.R. Smith LLC. Any reproduction in part or whole without the written consent of S.R. Smith LLC is prohibited.	

**S.R. Smith, LLC**  
**P.O. Box 400, 1017 SW Berg Parkway**  
**Canby, Oregon 97013**  
**Tel: (800) 824-4387 (503) 266-2231**  
**Fax: (503) 266-4334**  
**www.srsmith.com**

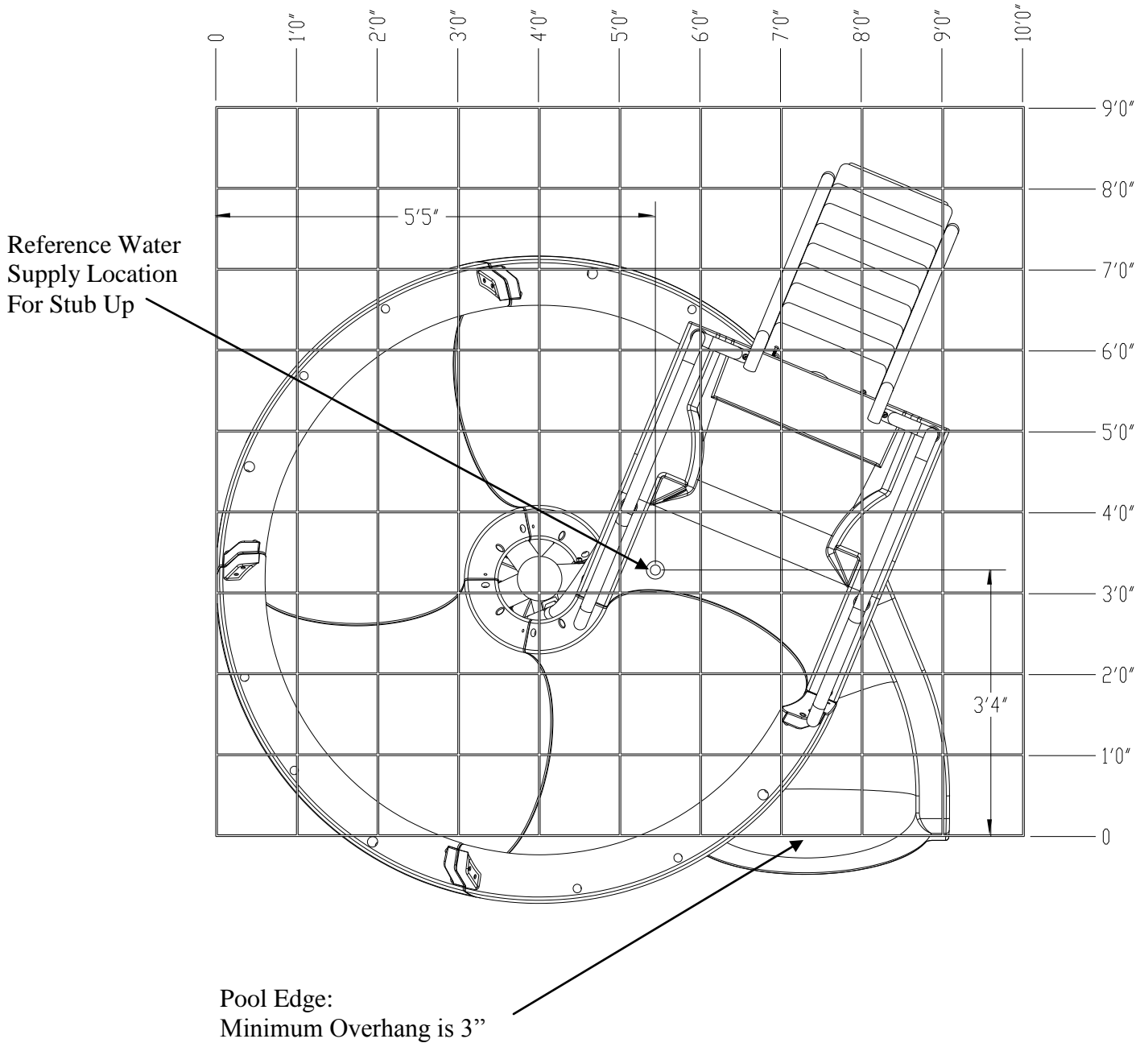
## VORTEX<sup>®</sup> SLIDE – LADDER, FULL FLUME



Specification Number:	<b>SRS-212</b>	
Product Description:	<b>VORTEX<sup>®</sup> Slide Stairway Full Flume</b>	
S.R. Smith Part Number:	<b>695-209-23, 224</b>	Scale: NTS
Revision:	C	Date: 7/25/13
Written By:	MIKHA KAIEL	Date: 5/21/09
Approved By:		
Page 1 of 3	Proprietary and confidential: The information contained in this specification is the sole property of S.R. Smith LLC. Any reproduction in part or whole without the written consent of S.R. Smith LLC is prohibited.	

**S.R. Smith, LLC**  
 P.O. Box 400, 1017 SW Berg Parkway  
 Canby, Oregon 97013  
 Tel: (800) 824-4387 (503) 266-2231  
 Fax: (503) 266-4334  
[www.srsmith.com](http://www.srsmith.com)

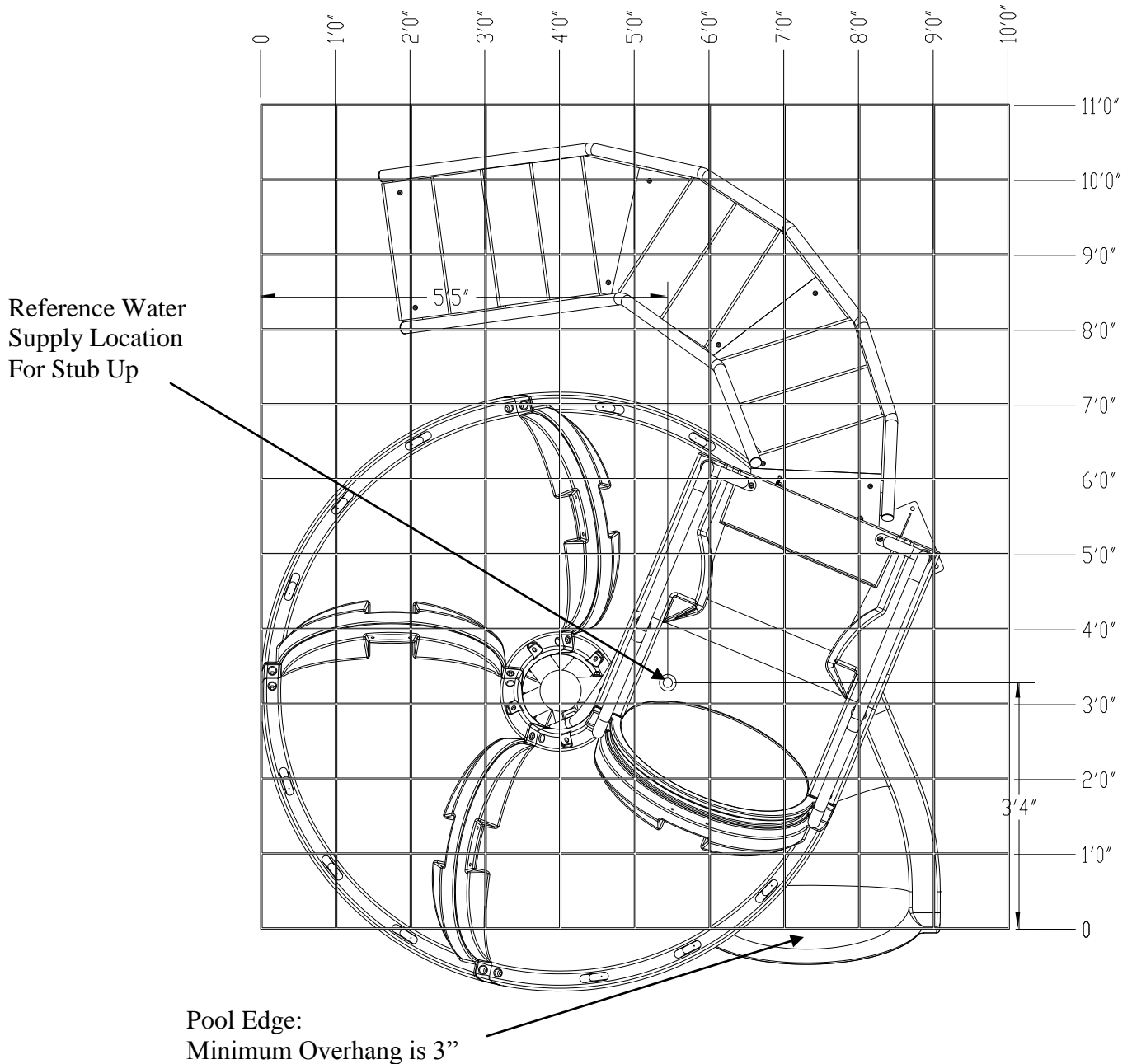
## VORTEX<sup>®</sup> SLIDE PLACEMENT – LADDER



Specification Number:	<b>SRS-212</b>	
Product Description:	<b>VORTEX<sup>®</sup> Slide Ladder</b>	
S.R. Smith Part Number:	<b>695-209-124, 13, 23, 224</b>	Scale: NTS
Revision:	C	Date: 7/25/13
Written By:	MIKHA KAIEL	Date: 5/21/09
Approved By:		
Page 1 of 3	Proprietary and confidential: The information contained in this specification is the sole property of S.R. Smith LLC. Any reproduction in part or whole without the written consent of S.R. Smith LLC is prohibited.	

**S.R. Smith, LLC**  
P.O. Box 400, 1017 SW Berg Parkway  
Canby, Oregon 97013  
Tel: (800) 824-4387 (503) 266-2231  
Fax: (503) 266-4334  
[www.srsmith.com](http://www.srsmith.com)

## VORTEX<sup>®</sup> SLIDE PLACEMENT – STAIRWAY



Specification Number:	<b>SRS-211</b>	
Product Description:	<b>VORTEX<sup>®</sup> Slide Stairway</b>	
S.R. Smith Part Number:	<b>695-209-324, 33, 43, 424</b>	Scale: NTS
Revision:	C	Date: 7/25/13
Written By:	MIKHA KAIEL	Date: 5/21/09
Approved By:		
Page 1 of 3	Proprietary and confidential: The information contained in this specification is the sole property of S.R. Smith LLC. Any reproduction in part or whole without the written consent of S.R. Smith LLC is prohibited.	

**S.R. Smith, LLC**  
**P.O. Box 400, 1017 SW Berg Parkway**  
**Canby, Oregon 97013**  
**Tel: (800) 824-4387 (503) 266-2231**  
**Fax: (503) 266-4334**  
**www.srsmith.com**