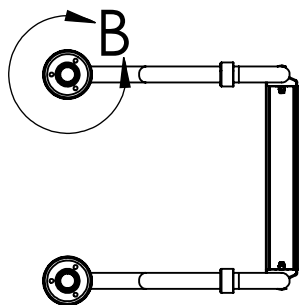


DETAIL B
SCALE 1 : 4



TUBING LENGTH: 89.17"

UNLESS OTHERWISE SPECIFIED
DIMENSIONS ARE IN INCHES,
TOLERANCES ARE:
FRACTIONAL: ±1/16
ANGULAR: ±1°
TWO PLACE DECIMAL: ±.06
THREE PLACE DECIMAL: .. ±.031

DESCRIPTION:

TWO-STEP LADDER - FLANGED,
316L, 38MM X 1.2MM

MATERIAL:

1.50 x .049 (316L) S/S

PART NO.: SL-SF-2

REV. A

DRAWN BY: DTJ

DATE: 1/9/14

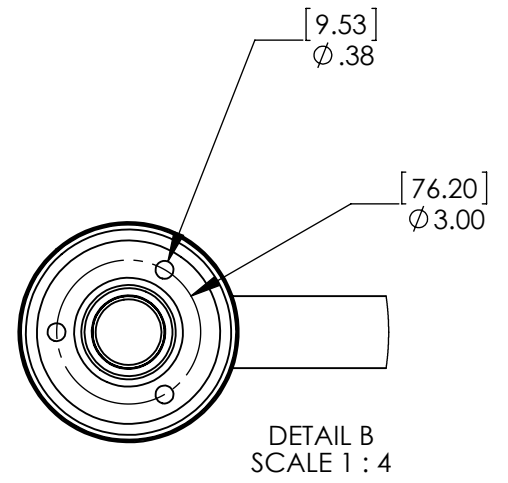
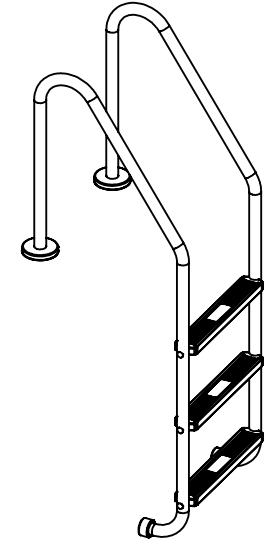
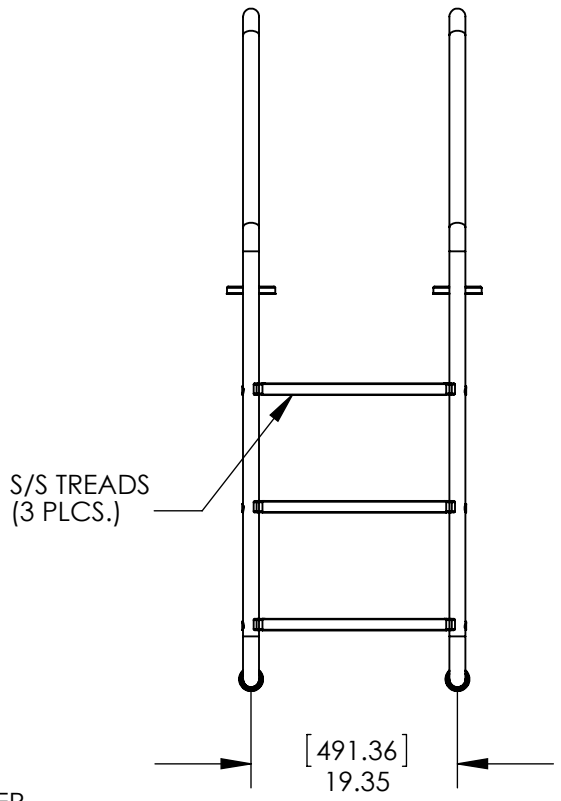
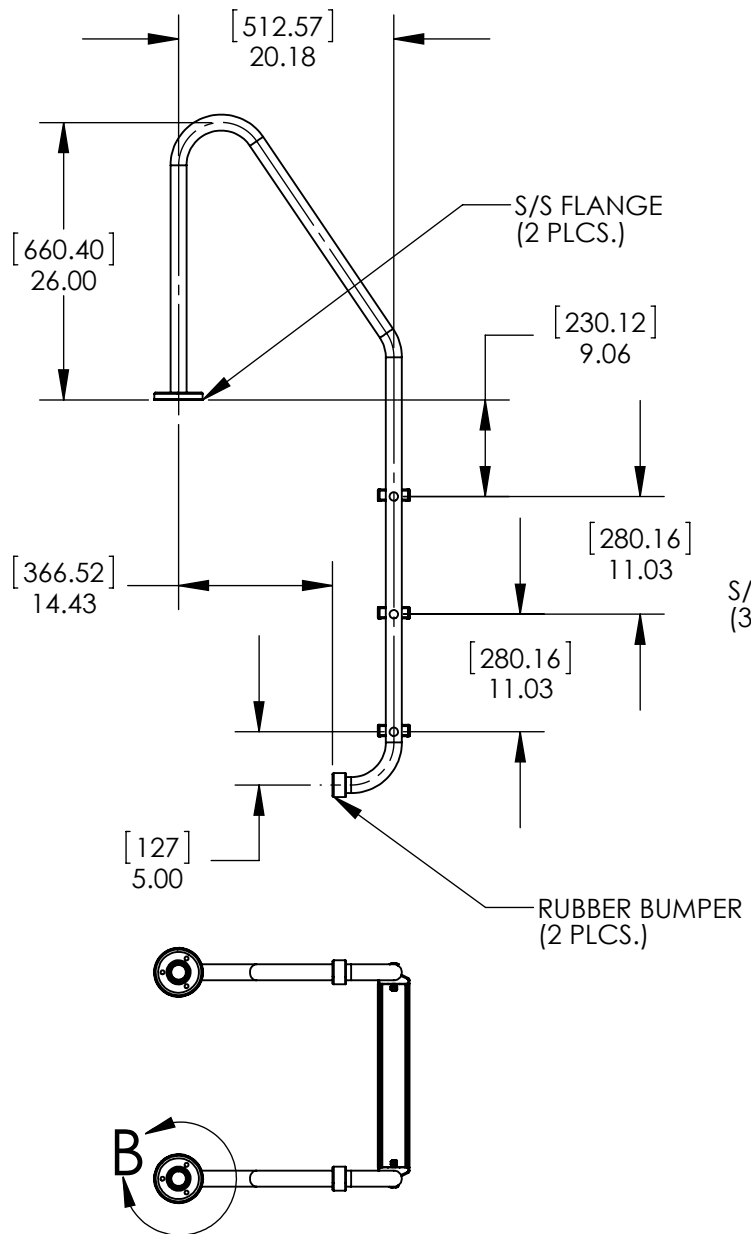
CHECKED BY:

DATE:



P.O. BOX 400 - 1017 S.W. BERG PARKWAY
CANBY, OREGON 97013
PHONE (503) 266-2231

REVISIONS			
REV.	DESCRIPTION	DATE	ECN



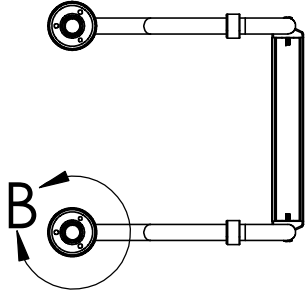
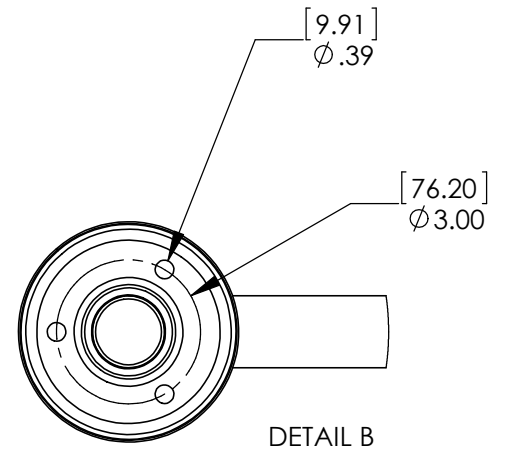
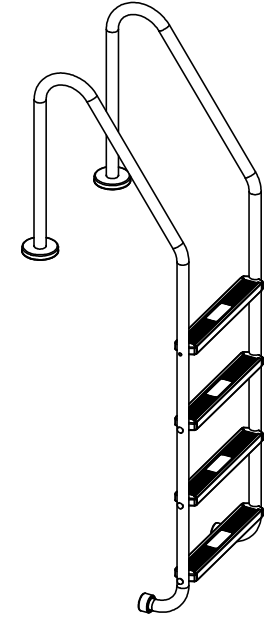
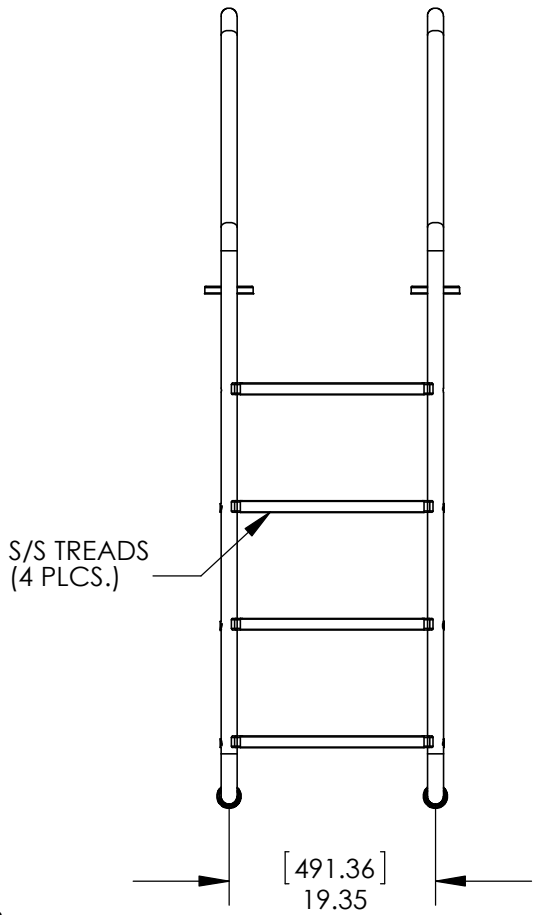
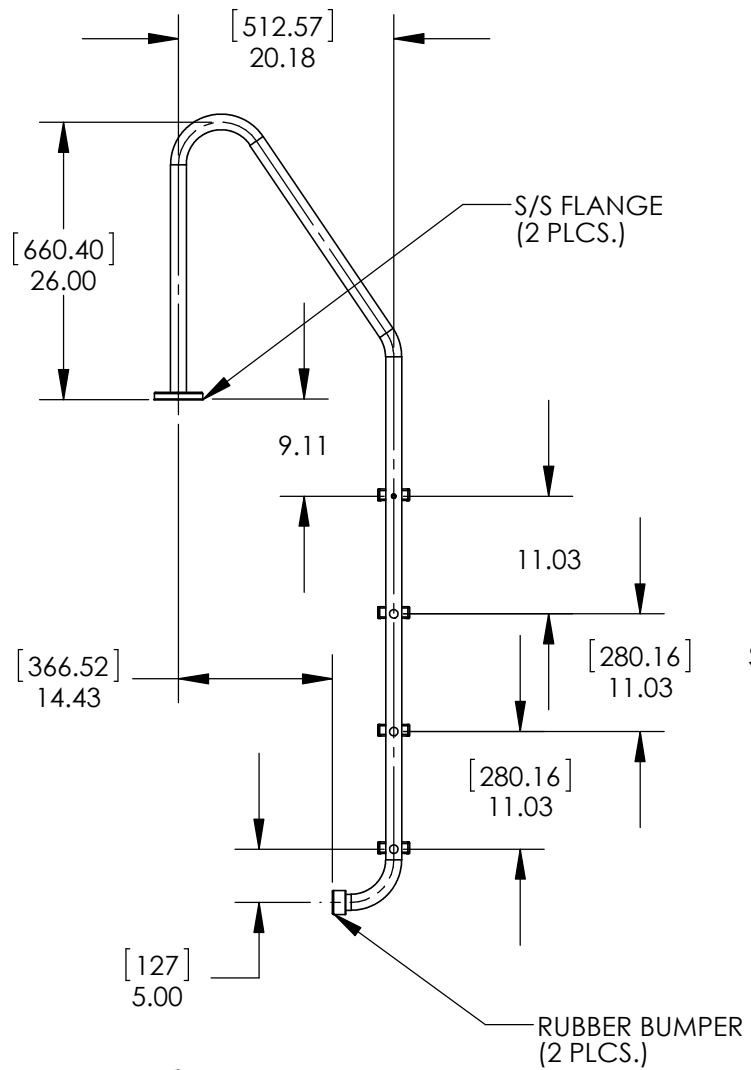
UNLESS OTHERWISE SPECIFIED
DIMENSIONS ARE IN INCHES,
TOLERANCES ARE:
FRACTIONAL: ±1/16
ANGULAR: ±1°
TWO PLACE DECIMAL: ±.06
THREE PLACE DECIMAL: .. ±.031

DESCRIPTION: THREE-STEP LADDER - FLANGED, 316L, 38MM X 1.2MM	
MATERIAL: 1.50 x .049 (316L) S/S	
PART NO.: SL-SF-3	REV. A
DRAWN BY: DTJ	DATE: 1/9/14
CHECKED BY:	DATE:

SR Smith™
P.O. BOX 400 - 1017 S.W. BERG PARKWAY
CANBY, OREGON 97013
PHONE (503) 266-2231

SIZE: A SCALE: 1:18 SHEET 1 OF 4

REVISIONS			
REV.	DESCRIPTION	DATE	ECN



UNLESS OTHERWISE SPECIFIED
 DIMENSIONS ARE IN INCHES,
 TOLERANCES ARE:
 FRACTIONAL: $\pm 1/16$
 ANGULAR: $\pm 1^\circ$
 TWO PLACE DECIMAL: $\pm .06$
 THREE PLACE DECIMAL: ... $\pm .031$

DESCRIPTION: FOUR-STEP LADDER - FLANGED, 316L, 38MM X 1.2MM	
MATERIAL: 1.50 x .049 (316L) S/S	
PART NO.: SL-SF-4	REV. A
DRAWN BY: DTJ	DATE: 4/9/15
CHECKED BY:	DATE:

P.O. BOX 400 - 1017 S.W. BERG PARKWAY
 CANBY, OREGON 97013
 PHONE (503) 266-2231

SIZE: A	SCALE: 1:18	SHEET 1 OF 4
---------	-------------	--------------