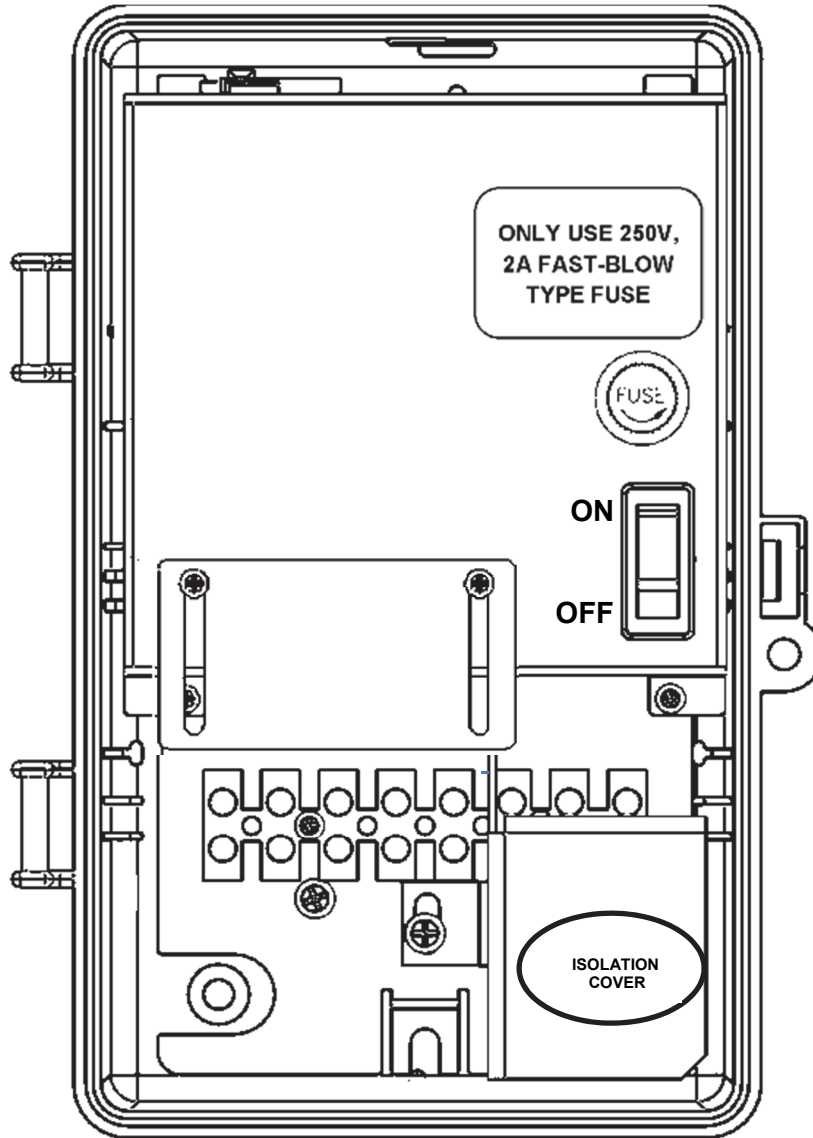


# SRS-TX-30

Rated for use on 110/120VAC 60Hz applications

**Installation Instructions: Read these instructions in its entirety before performing any installation work.**

FOR USE WITH POOL AND SPA PRODUCTS



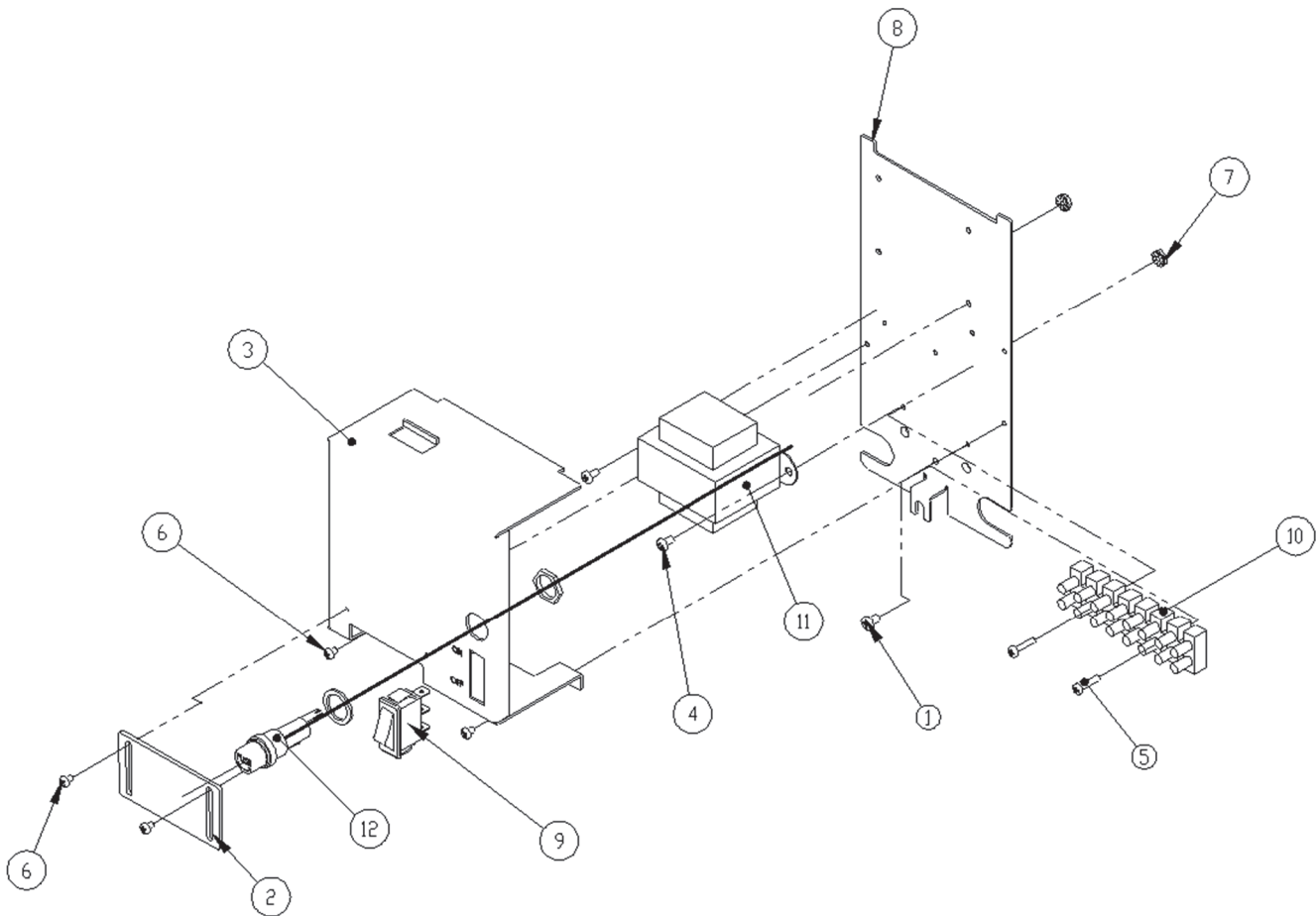
Conforms to UL STD 379;  
Certified to CSA STD C22.2 #218.1



Intertek  
4008814

The SRS-TX-30 consists of the following parts:

Item #	Qty.	Component Part #	Description
1	1	10-15078-05	Screw, 8-32, 1/4" length
2	1	02-15285-00	Relay Cover
3	1	02-15314-00	Bracket Mount, WIR-TRAN
4	2	10-15031-03	Screw, 6-32, 1/4" length
5	2	10-15089-07	M3 Screw, 14mm length
6	4	10-15089-01	M3 Screw, 4mm length
7	2	11-15005-00	Nut, 6-32, Star Lock
8	1	02-15287-00	Bracket, Mounting Plate
9	1	38-15000-00	Rocker Switch, ON / OFF
10	1	41-15004-08	8 Position Terminal Block
11	1	44-15037-00	Transformer, 12VAC
12	1	A12664	Fuse Holder, 250V, 10A max
13	2	41-15005-00	Push-Wire Connector, 6-Conductor, (not shown)
14	1	36-15015-00	Fuse, 250V, 2.0A, 1-1/4"x1/4", Fast-Blow (not shown)
15	1	02-15340-00	Bracket, Isolation Wiring Cover, (not shown)





SAVE THESE INSTRUCTIONS!



**DANGER – FAILURE TO FOLLOW THESE WARNINGS, INSTRUCTIONS AND THE OWNER'S MANUAL MAY RESULT IN SERIOUS INJURY OR DEATH**

## IMPORTANT SAFETY INFORMATION

Basic safety precautions should be observed when operating the SRS-TX-30 product and other associated equipment.

1. A qualified electrician must install the SRS-TX-30 in accordance to the National and Local Electrical Codes.
2. The SRS-TX-30 must not be less than 5 feet (3 meters in Canada) from inside edge of pool. **ONLY USE COPPER CONDUCTORS.**
3. Do not exceed the maximum ratings of individual components, wiring devices, and current carrying capacity of conductors.
4. For the bonding, grounding, installing, and wiring of underwater lights to the SRS-TX-30 refer to Article 680 of the National Electrical Code or Article 68 of the Canadian Electrical Code.
5. This device should never operate equipment that could cause property damage, bodily injury, or death should it be activated unexpectedly.
6. Never allow children to operate the SRS-TX-30 unsupervised.

## FCC WARNING

1. This device complies with Part 15 of the FCC Rules. Operation is subject to the following two conditions: (1) this device may not cause harmful interference, and (2) this device must accept any interference received, including interference that may cause undesired operation.
2. Changes or modifications not expressly approved by S.R. Smith could void the user's authority to operate the equipment.

### ELECTRICAL RATINGS

Do not exceed the maximum electrical output rating of 30W for the SRS-TX-30. Install a 20Amp, 120VAC GFCI Circuit Breaker for power input. Refer to pages 4 and 5 for installation instructions.

### FUSE REPLACEMENT

To help protect internal parts, the SRS-TX-30 is equipped with a fuse. In the event that the fuse needs replacement, only use a 250V, 2A Fast-Blow (fast acting) type similar to what is equipped from the factory. You may also order SR Smith part number 36-15015-00 from your local authorized distributor.

## WARNING

- TURN OFF INCOMING POWER BEFORE SERVICING EQUIPMENT.
- ALL INSTALLATION AND MAINTENANCE WORK MUST BE PERFORMED BY QUALIFIED ELECTRICAL PERSONEL ONLY.
- GFCI BREAKER MUST BE USED TO CONNECT SRS-TX-30 TO INPUT POWER.
- VERIFY ALL ELECTRICAL RATINGS BEFORE INSTALLATION IS COMPLETE.

## LOCATION

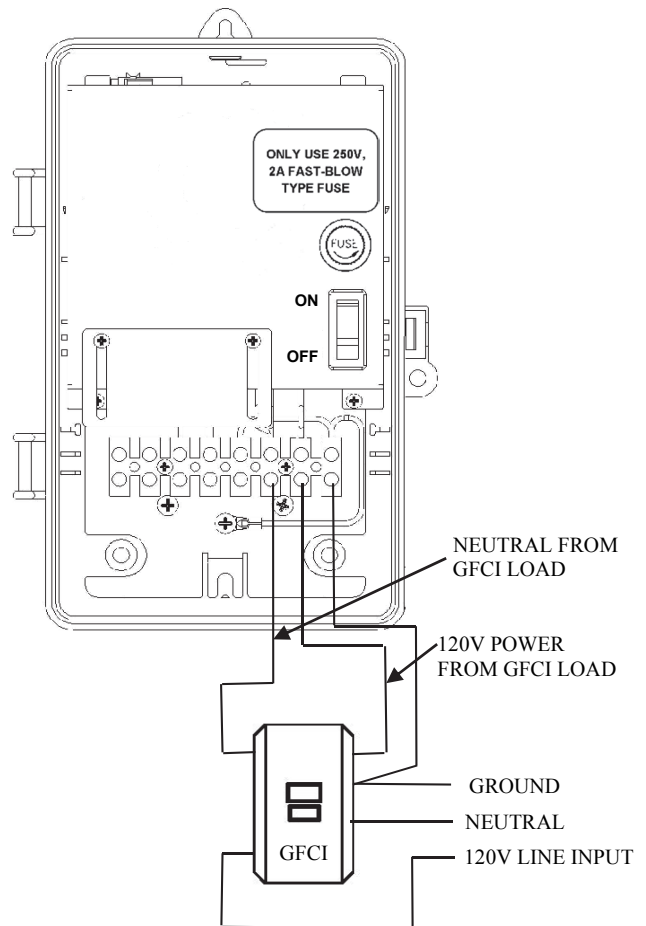
The SRS-TX-30 is housed in a Type 3R rainproof enclosure and can be mounted anywhere between the pool equipment and the breaker panel.

# WIRING INSTRUCTIONS

FOLLOW PROPER WIRING PRACTICES IN ACCORDANCE WITH ALL LOCAL REGULATORY REQUIREMENTS.

### Power Connections:

To wire the SRS-TX-30 use insulated COPPER wire only, 12 gauge minimum. Run a 1/2" to 3/4" conduit from the main breaker panel to the right most bottom conduit knock out of the SRS-TX-30. Pull appropriate wires from the main breaker panel to the SRS-TX-30 unit. To make the input power connections, unscrew the Isolation Cover covering the right side of the terminal strip and remove 3/8 inches of insulation from the wire ends. Insert the bare end of each wire under the pressure plate of the appropriate screw terminal (Power Input 120V AC, NEUTRAL). Use 1/8-in. flat head screwdriver to tighten terminal screws firmly (10.0 in-lbs. minimum). Connect the house ground line to the Input Ground line on the SRS-TX-30. Install a 20 Amp max GFCI circuit breaker in the main breaker panel and connect the **HOT** wires from the SRS-TX-30. As a final step replace the Isolation Cover over the Input wire terminals and reattach the grounding attachment screw. Use provided cable tie to secure the Input Wires to the Isolation cover.

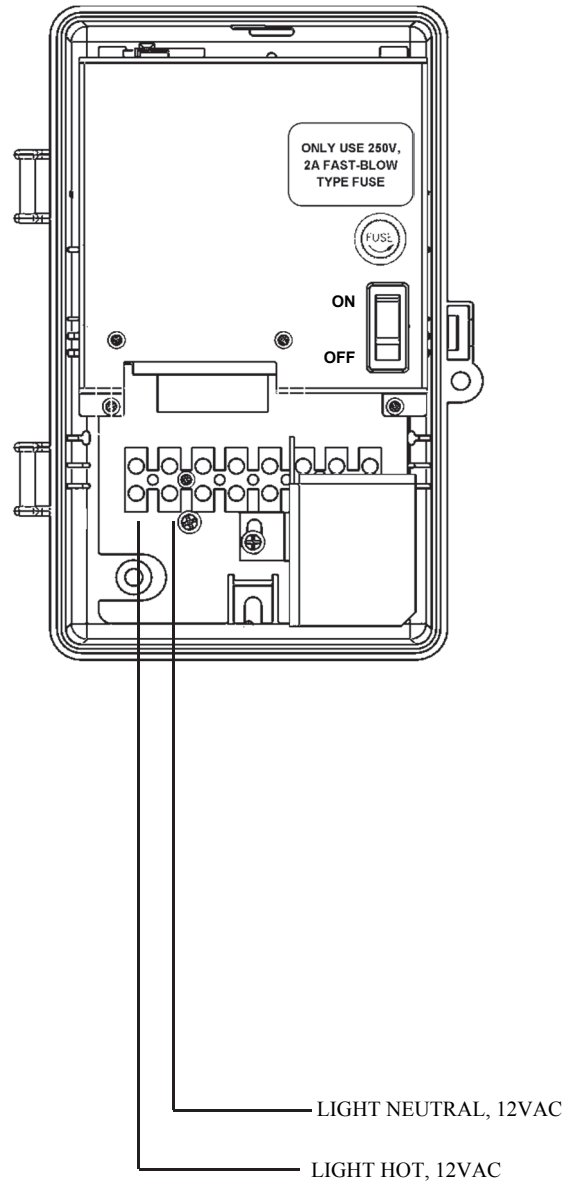


## Hooking up 12VAC Light to Circuit 1

To connect a 12VAC light to the Circuit 1 switch, pull wires from the low voltage lighting product to the SRS-TX-30 through conduits connected to the left bottom of the SRS-TX-30. Some lights may identify a 12VAC Hot and Neutral lead though this is not typical with 12VAC low voltage lighting as there is no polarity. If it does identify specific leads, then follow the below instructions.

As illustrated, connect the light that will be operated by the Rocker Switch to the Light Hot terminal. Connect the Light Neutral to the Light Neutral terminal. Do not exceed demand of 30 watts @ 12V.

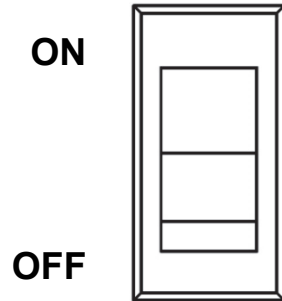
Two UL listed wire nuts have been included to simplify connection of up to five lights to the terminal strip. If conductors are stranded 18AWG wire or smaller, use a crimping tool and the supplied copper wire ferrules for a secure installation.



# OPERATING INSTRUCTIONS

## SRS-TX-30 ROCKER SWITCH OPERATION

The SRS-TX-30 receiver box houses one rocker switch to control the operation of the unit. The switch must be in the DOWN position before powering on for the first time. To turn ON the 12VAC light connected to the SRS-TX-30, flip the rocker switch UP or to the ON position. When the rocker switch is in the ON position, low voltage power is applied to the 12VAC light/s connected to the SRS-TX-30. To turn OFF the 12VAC light, flip the rocker switch to the BOTTOM or OFF position. To change the color mode on a SR Smith LED light, simply toggle OFF, ON within 1 second and the light will advance to the next color mode.



NOTE: Switch is shown in the ON position.

