

Anti Wave 600 Starting Block



- Fiberglass construction with 316 SS fittings
- Fixed track start
- Standard & quick release anchor systems
- Durable, non-slip tread
- "No Dive" & sun shield covers available
- Internal earthing wire included to allow for bonding requirements
- Compliant with FINA starting platform guidelines FR2.7

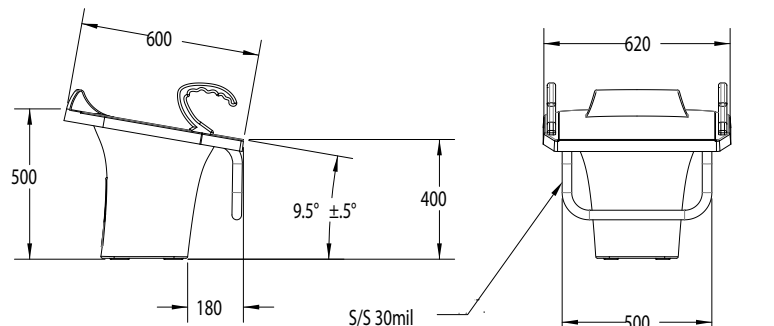
Made in Australia

Optional SafeStart handles



Model No.	Description	Shipping			
		Weight	Length	Width	Height
25-61-060T	Anti Wave 600 with fixed track start	20.5kg	620mm	690mm	690mm
25-61-060R	Anti Wave 600 with fixed track start & quick release anchor	23.2kg	620mm	690mm	690mm

600 with Standard Anchor



600 with Quick Release Anchor

