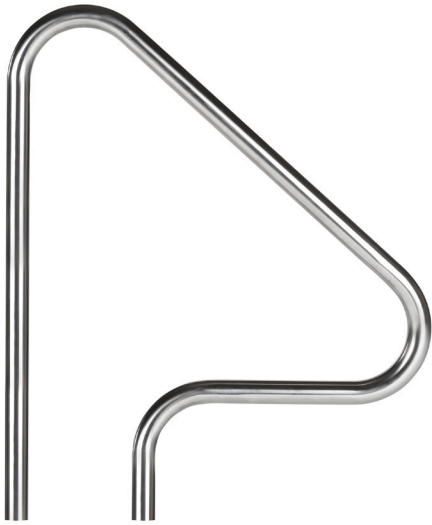


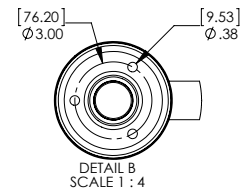
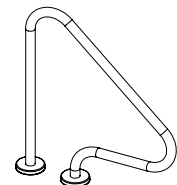
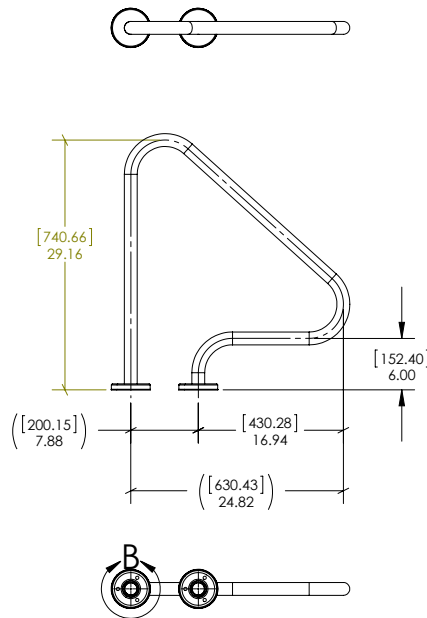
Figure 4 Grab Rail



- Individually crafted with state-of-the-art bending technology
- 38mm diameter, 1.2mm thickness 316L stainless steel tubing
- Standard and flanged models available
- Custom finishing options:
Powder-coating in pearl white, stone beige and Aztec black
Nycote® finish provides extra barrier of protection

Model No.	Description
SR-1S	Figure 4 Grab Rail - Standard (pair)
SR-1F	Figure 4 Grab Rail - Flanged (pair)

Colours



Flanged Model with
Cover Plate Detail