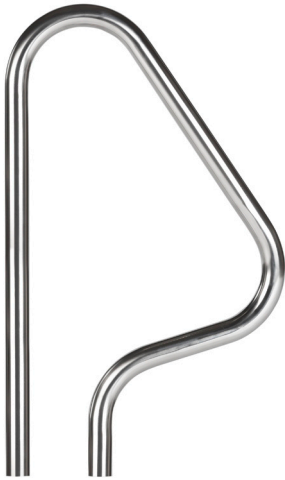


# Narrow Figure 4 Grab Rail



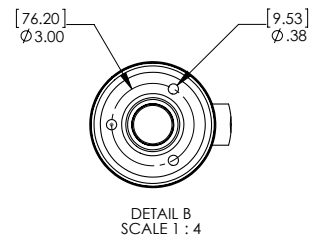
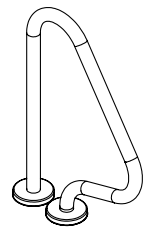
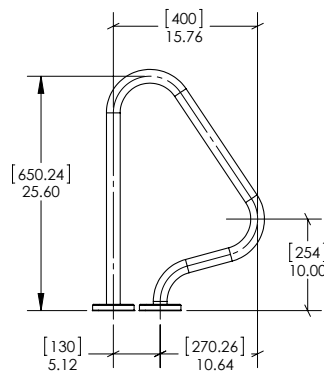
- Individually crafted with state-of-the-art bending technology
- 38mm diameter, 1.2mm thickness 316L stainless steel tubing
- Standard and flanged models available
- Custom finishing options:  
Powder-coating in pearl white, stone beige and Aztec black  
Nycote® finish provides extra barrier of protection

Model No.	Description
SR-4S	Narrow Figure 4 Grab Rail - Standard (pair)
SR-4F	Narrow Figure 4 Grab Rail - Flanged (pair)

## Colours



S/S FLANGE  
(2 PLC.)



Flanged Model with  
Cover Plate Detail