



Edge Jump System

FEATURES:

- Available in 6' or 8' Board Lengths
- Comes in several colors to match your outdoor decor
- Active Base - Spring Feature is Derived from Both Base & Board
- Durable & Long Lasting Acrylic & Fiberglass Construction with Advanced Composite Springs
- Optional Board Fall Compatible Base
- Weight Limit: 300 lbs.
- Can be Used for Retrofit Applications with Existing 12" on Center Techni-Spring Steel Jigs or 606/608 12" Jig Bolt Pattern

Edge Base Colors



White - WW
(standard)



Tan - 7
(upgrade)



Gray - 9
(upgrade)



Board Colors



white with
white tread
(standard)



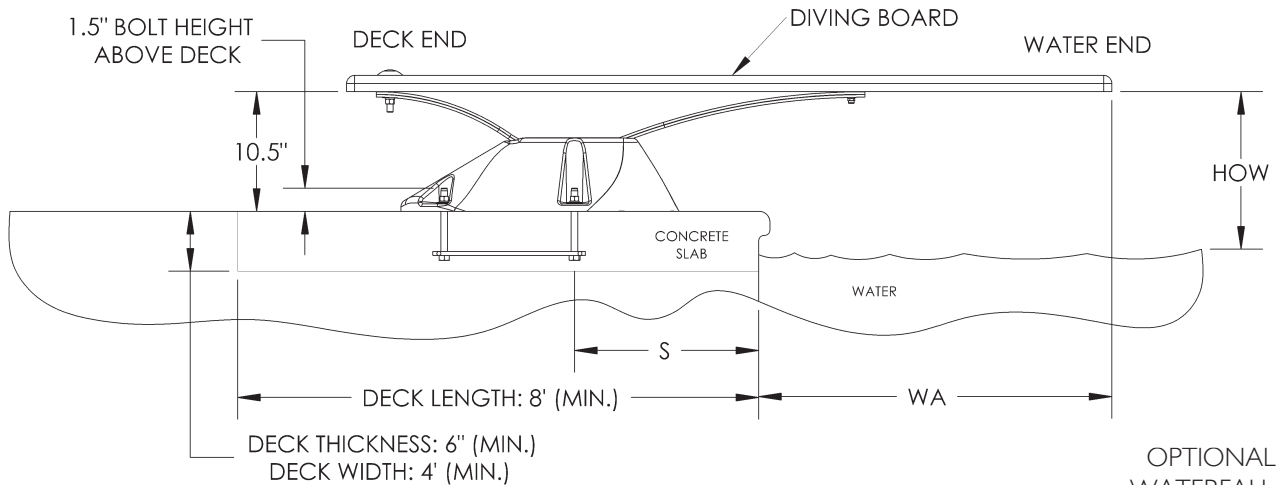
blue with
white tread
(standard)



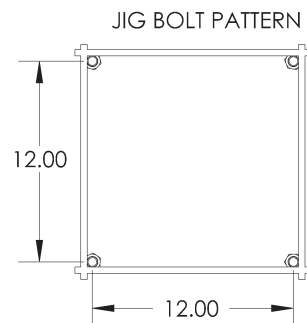
tan with
tan tread
(upgrade)



gray with
gray tread
(upgrade)



OPTIONAL
WATERFALL:
BOARD FALL



EDGE BOARD WITH MOUNTING HARDWARE	
PART NUMBER	DESCRIPTION
SHIPPING	6' Board: 49 lbs 76" L x 19"W x 3" H 8' Board: 79 lbs 98" L x 19"W x 3" H
EDGE6WW	6' EDGE BOARD - WHITE
EDGE6BW	6' EDGE BOARD - BLUE
EDGE6-7	6' EDGE BOARD - TAN
EDGE6-9	6' EDGE BOARD - GRAY
EDGE8WW	8' EDGE BOARD - WHITE
EDGE8BW	8' EDGE BOARD - BLUE
EDGE8-7	8' EDGE BOARD - TAN
EDGE8-9	8' EDGE BOARD - GRAY

Includes Aquaboard with Matching Top Tread And Stainless Steel Hardware

EDGE SPRINGS WITH MOUNTING HARDWARE - FOR 6' OR 8' BOARDS	
PART NUMBER	DESCRIPTION
SHIPPING	27 lbs 26" L x 18"W x 8" H
EDGE-SPRING	SPRING ASSEMBLY - WHITE
EDGE-SPRING-3	SPRING ASSEMBLY - EARTH
EDGE-SPRING-9	SPRING ASSEMBLY - GRAY

Spring Assembly with Spring to Base and Spring to Board Stainless Steel Hardware

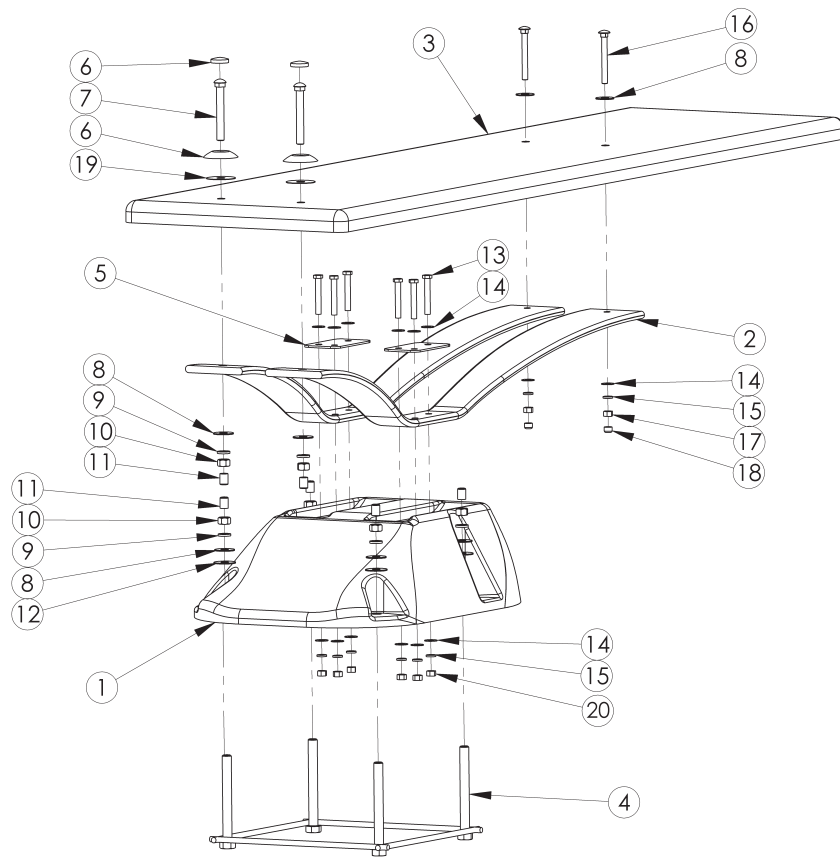
EDGE BASE AND JIG - FOR 6' OR 8' BOARDS	
PART NUMBER	DESCRIPTION
SHIPPING	27 lbs 26" L x 18"W x 8" H
EDGE-BASE	BASE AND JIG - WHITE
EDGE-BASE-7	BASE AND JIG - TAN
EDGE-BASE-9	BASE AND JIG - LIGHT GRAY

Edge Base and Jig Includes Stainless Steel Jig to Base Mounting Hardware

EDGE BASE ONLY - FOR 6' OR 8' BOARDS	
PART NUMBER	DESCRIPTION
SHIPPING	19 lbs 26" L x 18"W x 8" H
EDGE-BASE-NJ	BASE ONLY - WHITE
EDGE-BASE-NJ-7	BASE ONLY - TAN
EDGE-BASE-NJ-9	BASE ONLY - LIGHT GRAY

Edge Base and Jig Includes Stainless Steel Jig to Base Mounting Hardware

OPTIONAL WATERFALL ASSEMBLY KIT	
PART NUMBER	DESCRIPTION
SHIPPING	5 lbs 13" L x 12"W x 6" H
BOARD FALL	INCLUDES: BOARD FALL, MOUNTING HARDWARE (4 SCREWS), 8' & 4" OF 1/2" FLEX PVC PIPE, 1-UNION



Drawing represents the following part numbers:
EDGE-BASE
EDGE-SPRING
EDGE6WW

Key	Part No.	Description	Kits - Quantity Counts			
			T7-BK	EDGE-SP	EDGE-M	EDGE
1	EDGE-BASE	Edge Diving Base				1
2	EDGE-SPRING	Edge Spring				2
3	EDGE-BOARD	Edge Diving Board				1
4	TS-EDGE-J	Edge Jig				1
5	Spring Pad (factory installed)	Edge Spring Pad				2
6	H-WHT WAS/CAP	IFI White Washer Cap			2	
7	H-SS 1/2X13X4C	1/2" - 13 X 4" Carriage Bolt S.S.			2	
8	H-SS 1/2 F WASH	1/2" Flat Washer S.S.	4		4	
9	H-SS 1/2 LOC WA	1/2" Lock Washer S.S.	4		2	
10	H-SS 1/2 H NUT	1/2" Hex Nut S.S.	4		2	
11	H-1-1/2 WHT CAP	.750 x 1-1/2" White UV Nut Cap	4		2	
12	H-1/2 NYLON WAS	1/2" Flat Nylon Washer	4			
13	H-SS 3/8-16X2-1/2	3/8" x 2 1/2" Hex Head Bolt S.S.		6		
14	H-SS 3/8 FLT WA	3/8" Flat Washer S.S.		12	2	
15	H-SS 3/8 LOC WA	3/8" Lock Washer S.S.		6	2	
16	H-SS 3/8X3-1/2C	3/8" x 3 1/2" Carriage Bolt S.S.			2	
17	H-SS 3/8 F NUT	3/8" Finish Hex Nut S.S.			2	
18	H-.531 X 1.00 CAP	.531 x 1.00 White Protective Cap			2	
19	H-1/2 BLK WASH	1/2" x 2" dia. Black Rubber Washer			2	
20	H-SS 3/8 NYLON	3/8" Nylon Insert Locknut		6		
21*	H-ANTI-SEIZE	Packet of Anti Seize Lubricant (not shown)				1

* not pictured

NOTES:

EDGE6WW diving board shown in exploded view for illustration purposes. Must be purchased separately. Protective Caps for bolts available in White only.

Check your local electrical code for bonding requirements.