

Backstroke Start System & Trainer

Designed to help make backstroke starts faster and reduce the chance for slipping, the Backstroke Start System provides the option to easily add this capability to virtually any pool deck or starting platform configuration.

Backstroke Start System

- Anti-slip backstroke ledge with raised diamond pattern
- Easily adjustable ledge height with one-handed operation from in or out of pool
- Durable HDPE frame to protect from harsh elements at either indoor or outdoor locations
- Three unique mounting options to secure device to most deck and block configurations
- Clear markings on spool to show height of ledge to water level for compliance
- FINA 2.10 compliant for competition

Backstroke Start System
PART # BSS1000



FINA FR 2.10 Backstroke Ledge Requirements

- The ledge may be adjustable to 4cm above or 4cm below the water level
- The ledge is a minimum of 65cm in length
- The ledge must be 8cm in height, 2cm at the width with 10 degrees of slope

3 MOUNTING OPTIONS

In-Deck Anchoring Kit



PART # 13-600

Plastic anchor with grounding bolt, fastened with plastic-headed stainless steel thumb screws

Pool Wall Mounting Kit with Strap



PART # 13-601

Vinyl-coated 1/4" thick stainless steel bracket with 10 foot long polyester strap and stainless steel cam buckle

Platform Post Mounting Kit



PART # 13-603

Vinyl-coated 1/4" thick stainless steel plate and two brackets shaped to lock onto 2 inch square single post frames

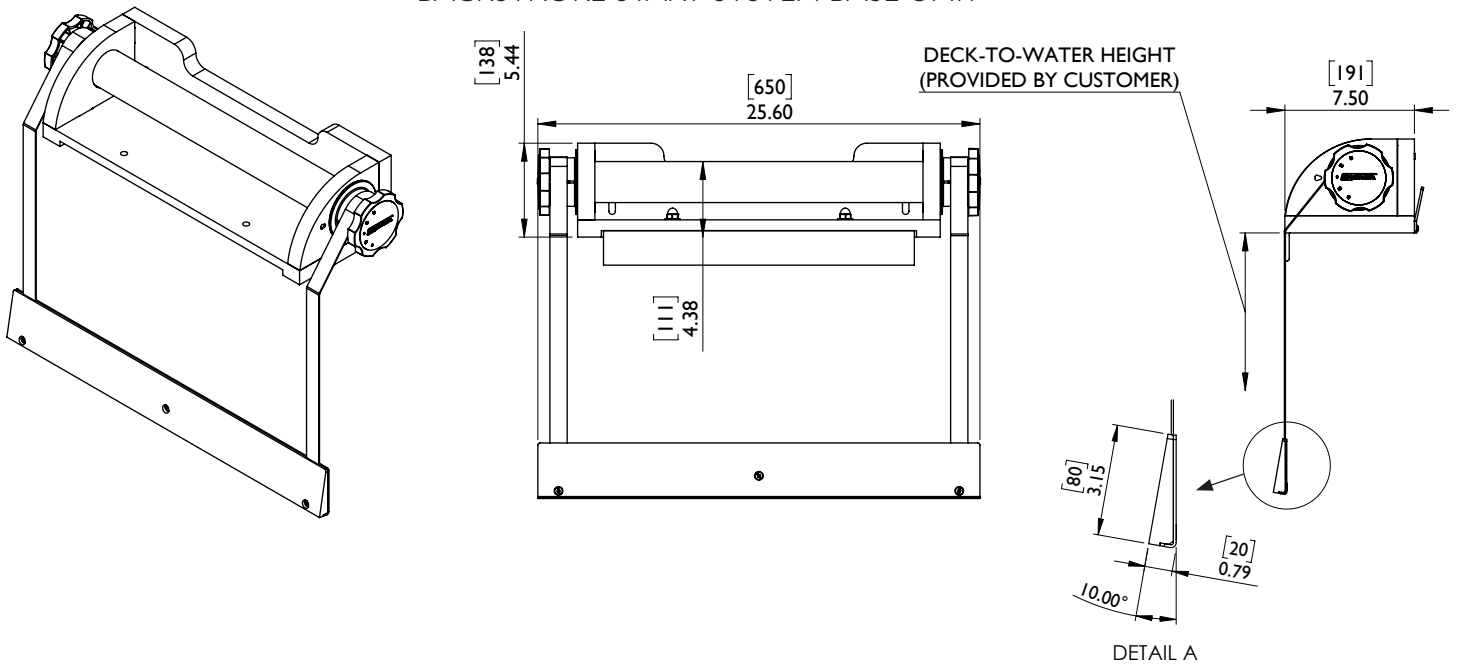


PART # 03-650T

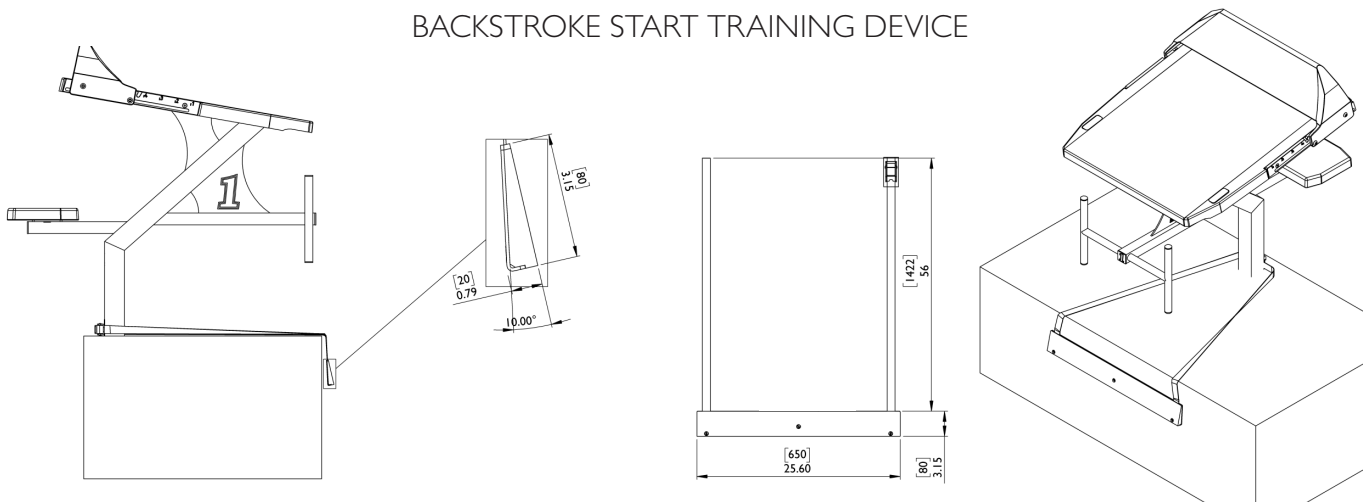
Backstroke Start Training Device

- Anti-slip backstroke ledge with raised diamond pattern
- Two 5-foot polyester straps with stainless steel cam buckle to secure and adjust height
- Works with a wide variety of starting platforms

BACKSTROKE START SYSTEM BASE UNIT



BACKSTROKE START TRAINING DEVICE



Model No.	Description	Shipping (Class 300)			
		Weight	Length	Width	Height
03-650T	Backstroke Start Training Device	3 lbs (1.4 kg)	2.5" 63mm)	3.5" 89mm	34.5" 876mm
BSS1000	Backstroke Start System	25 lbs (11 kg)	8" 203mm	8" 203mm	26" 660mm
13-600	In-Deck Anchoring Kit	5 lbs (2.3 kg)	6" 152mm	2" 51mm	2" 51mm
13-601	Pool Wall Mounting Kit w/ Strap	7 lbs (3.2 kg)	18" 457mm	4" 102mm	2" 51mm
13-603	Platform Post Mounting Kit	10 lbs (4.6 kg)	18" 457mm	12" 305mm	2" 51mm