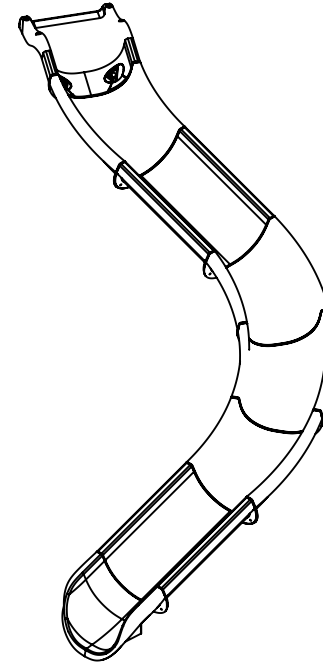
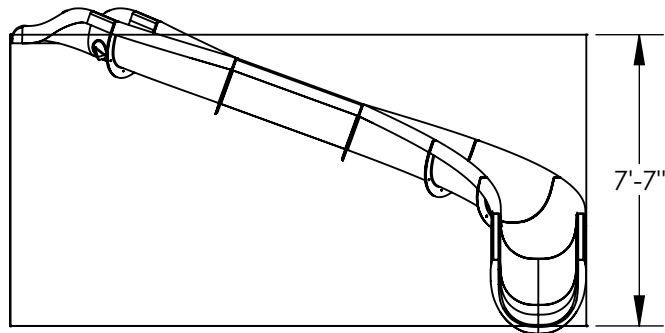


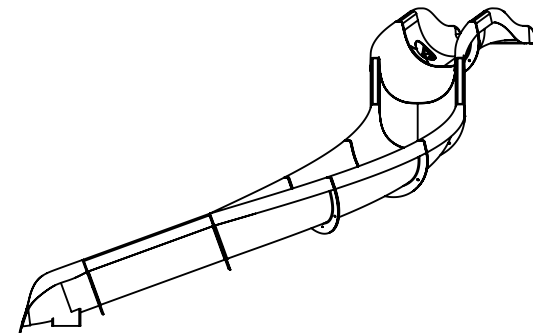
TOP VIEW



ISOMETRIC VIEW
NOT TO SCALE



FRONT VIEW



SIDE VIEW

UNLESS OTHERWISE SPECIFIED
DIMENSIONS ARE IN INCHES,
TOLERANCES ARE:
FRACTIONAL: $\pm 1/16$
ANGULAR: $\pm 1^\circ$
TWO PLACE DECIMAL: $\pm .06$
THREE PLACE DECIMAL: .. $\pm .031$

DESCRIPTION:
23 LF RIVER RUN SLIDE RIGHT TURN, "A"

MATERIAL:
FIBERGLASS-REINFORCED VINYL ESTER

PART NO.: _____ REV. A0

DRAWN BY: CMR

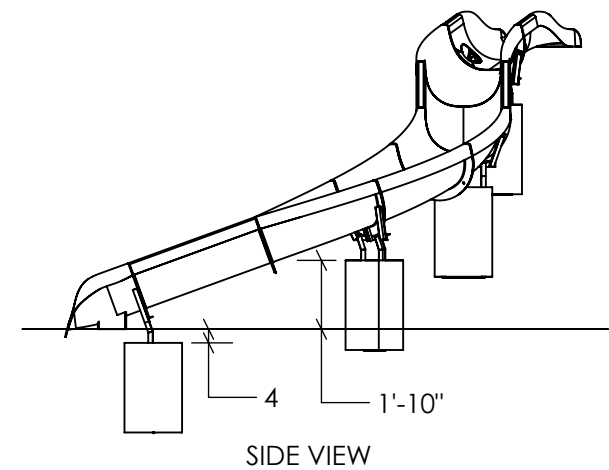
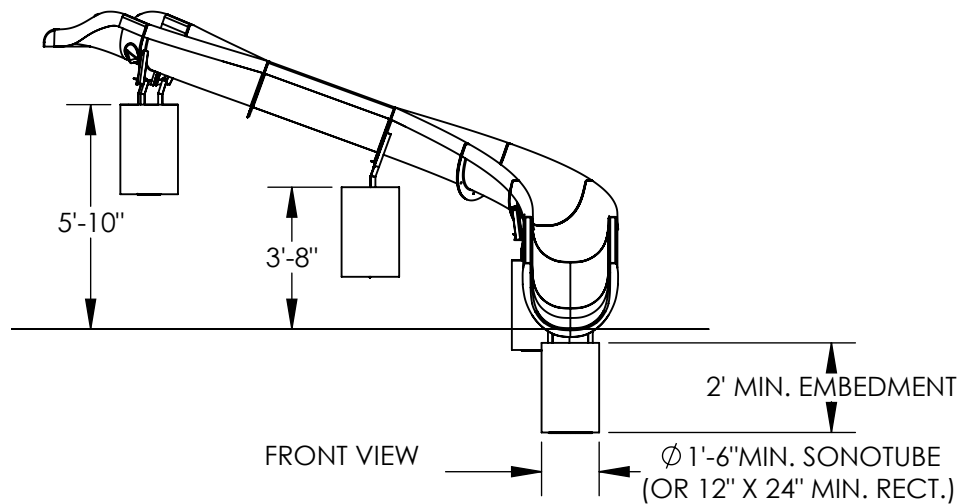
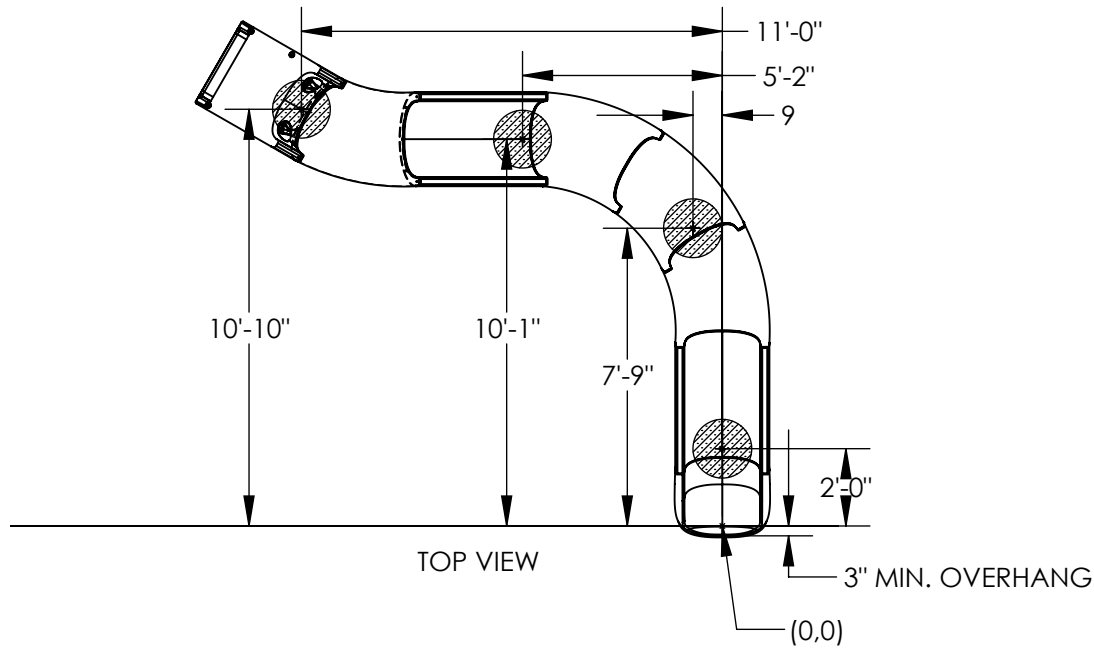
DATE: _____

CHECKED BY: _____

DATE: _____



P.O. BOX 400 - 1017 S.W. BERG PARKWAY
CANBY, OREGON 97013
PHONE (503) 266-2231



UNLESS OTHERWISE SPECIFIED
DIMENSIONS ARE IN INCHES,
TOLERANCES ARE:
FRACTIONAL: ±1/16
ANGULAR: ±1°
TWO PLACE DECIMAL: ±.06
THREE PLACE DECIMAL: .. ±.031

DESCRIPTION:
23 LF RIVER RUN SLIDE RIGHT TURN, "A"

MATERIAL:
FIBERGLASS-REINFORCED VINYL ESTER

PART NO.: RRS23A-CR REV. A0

DRAWN BY: CMR DATE: 10/7/2019

CHECKED BY: DATE:



P.O. BOX 400 - 1017 S.W. BERG PARKWAY
CANBY, OREGON 97013
PHONE (503) 266-2231