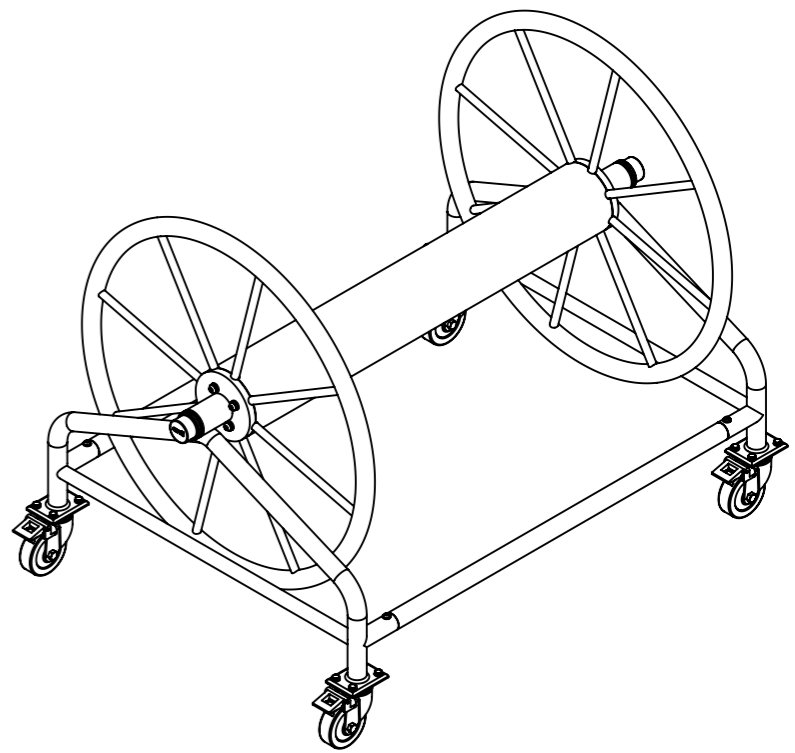
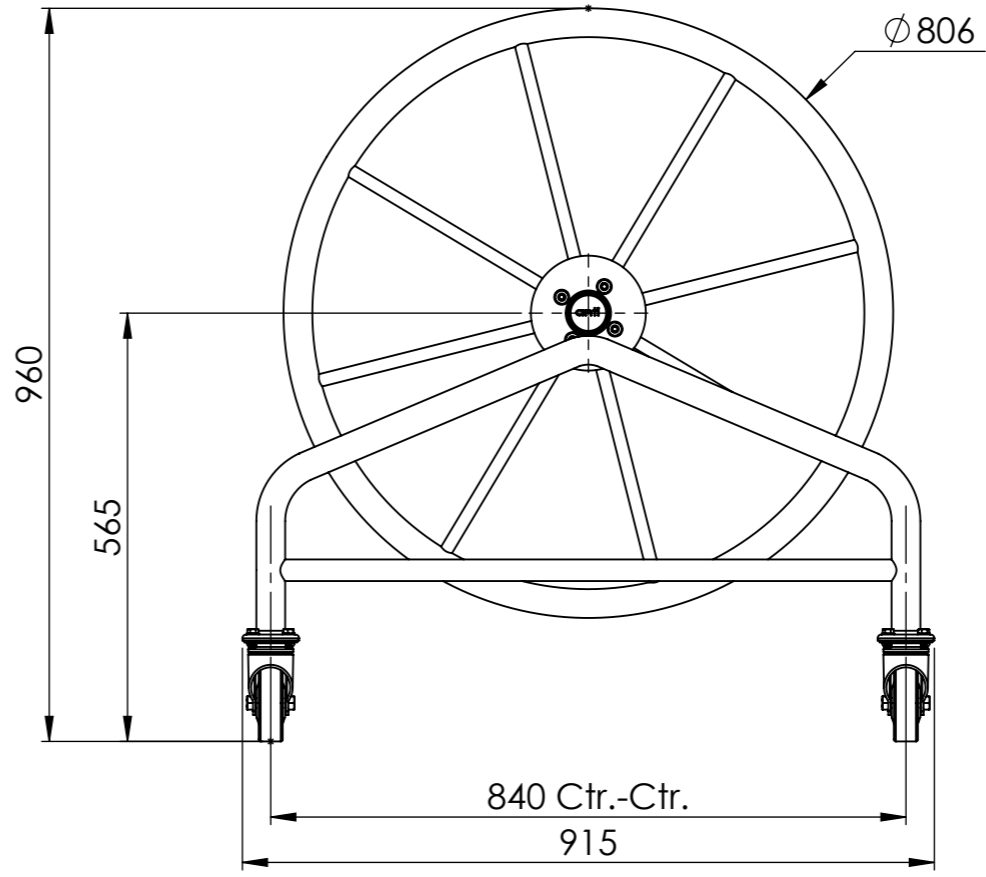
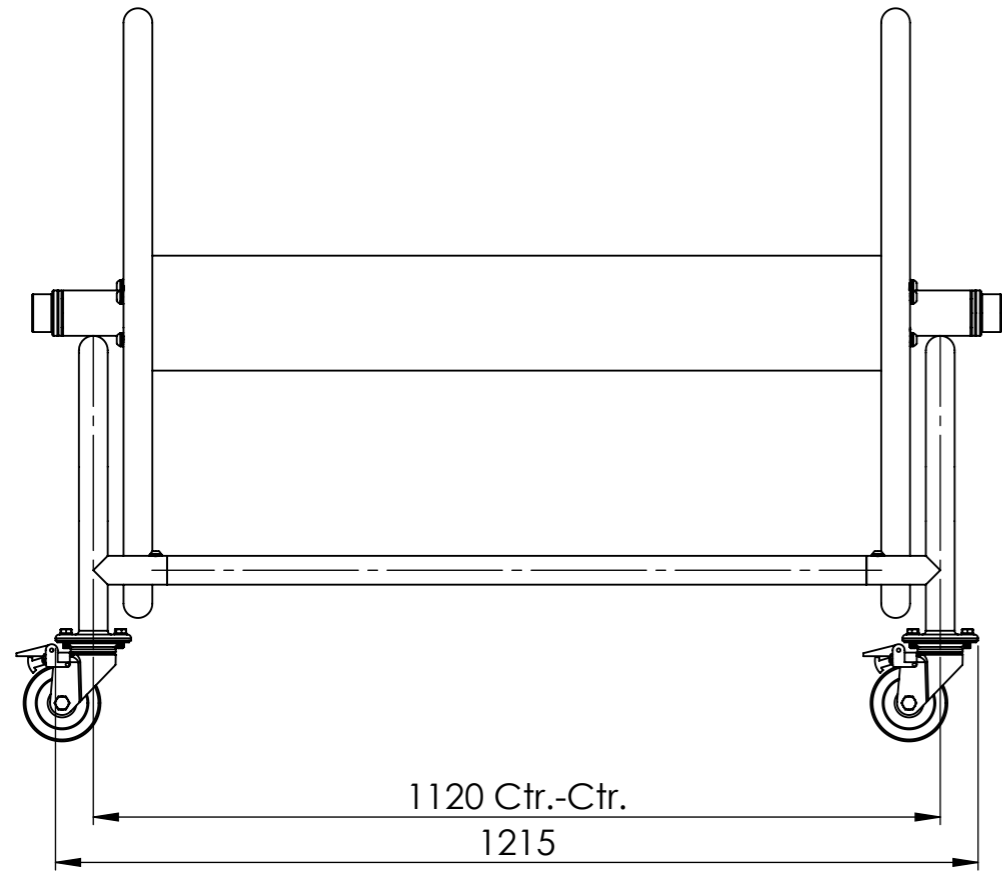


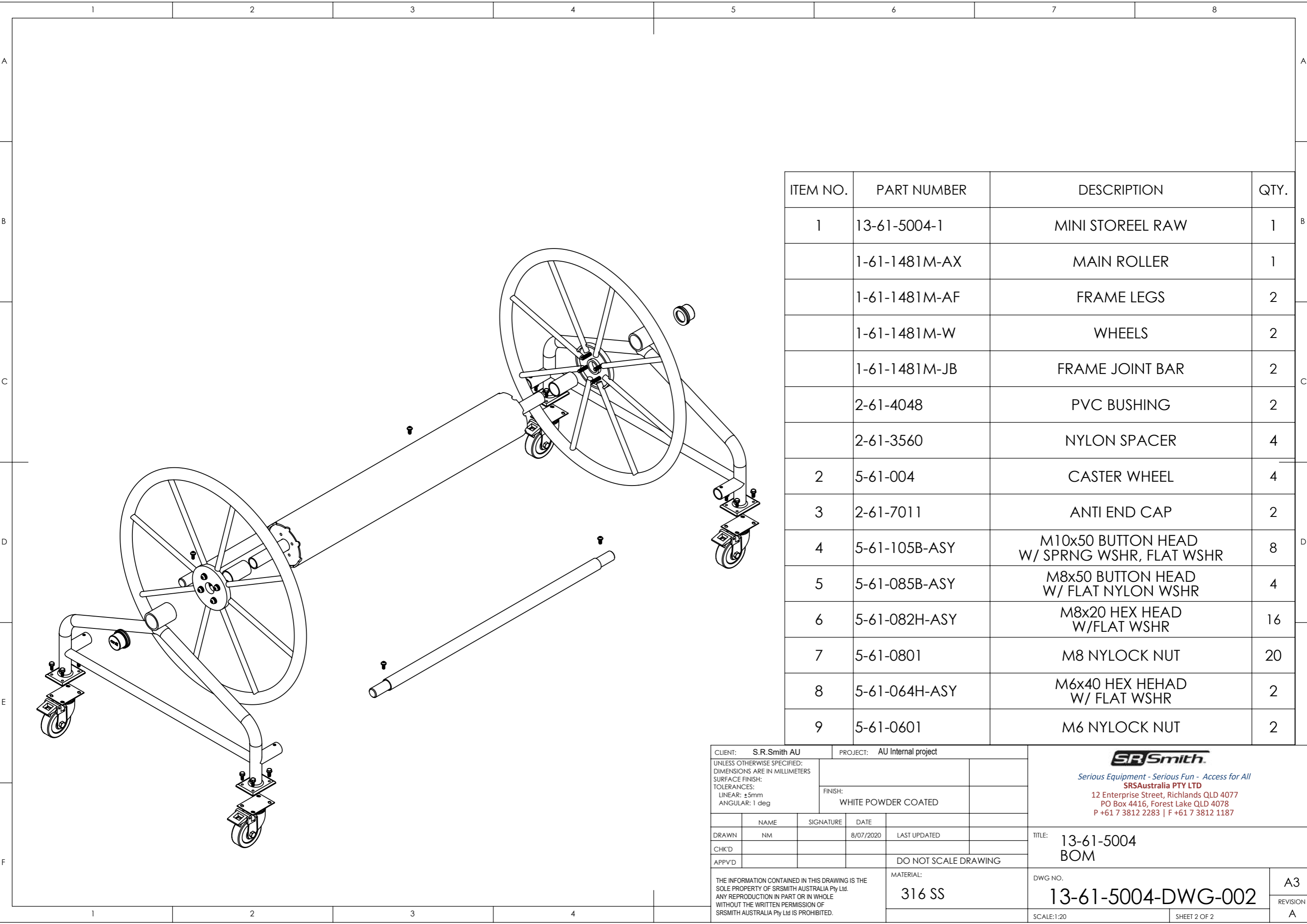
13-61-5004 MINI STOREEL



ISOMETRIC VIEW
SCALE 1 : 15



CLIENT: S.R.Smith AU		PROJECT: AU Internal project		<p><i>Serious Equipment - Serious Fun - Access for All</i> SRSAustralia PTY LTD 12 Enterprise Street, Richlands QLD 4077 PO Box 4416, Forest Lake QLD 4078 P +61 7 3812 2283 F +61 7 3812 1187</p>	
UNLESS OTHERWISE SPECIFIED: DIMENSIONS ARE IN MILLIMETERS		FINISH: WHITE POWDER COATED			
SURFACE FINISH: TOLERANCES: LINEAR: ±5mm ANGULAR: 1 deg					
DRAWN	NM	SIGNATURE	DATE	LAST UPDATED	TITLE: 13-61-5004 MINI STOREEL
CHK'D					
APPV'D				DO NOT SCALE DRAWING	
THE INFORMATION CONTAINED IN THIS DRAWING IS THE SOLE PROPERTY OF SRSMITH AUSTRALIA Pty Ltd. ANY REPRODUCTION IN PART OR IN WHOLE WITHOUT THE WRITTEN PERMISSION OF SRSMITH AUSTRALIA Pty Ltd IS PROHIBITED.				MATERIAL: 316 SS	DWG NO. 13-61-5004-DWG-001
				SCALE: 1:10	SHEET 1 OF 2
				A3	REVISION A



ITEM NO.	PART NUMBER	DESCRIPTION	QTY.
1	13-61-5004-1	MINI STOREEL RAW	1
	1-61-1481M-AX	MAIN ROLLER	1
	1-61-1481M-AF	FRAME LEGS	2
	1-61-1481M-W	WHEELS	2
	1-61-1481M-JB	FRAME JOINT BAR	2
	2-61-4048	PVC BUSHING	2
	2-61-3560	NYLON SPACER	4
2	5-61-004	CASTER WHEEL	4
3	2-61-7011	ANTI END CAP	2
4	5-61-105B-ASY	M10x50 BUTTON HEAD W/ SPRNG WSHR, FLAT WSHR	8
5	5-61-085B-ASY	M8x50 BUTTON HEAD W/ FLAT NYLON WSHR	4
6	5-61-082H-ASY	M8x20 HEX HEAD W/FLAT WSHR	16
7	5-61-0801	M8 NYLOCK NUT	20
8	5-61-064H-ASY	M6x40 HEX HEHAD W/ FLAT WSHR	2
9	5-61-0601	M6 NYLOCK NUT	2

CLIENT: S.R.Smith AU		PROJECT: AU Internal project	
UNLESS OTHERWISE SPECIFIED: DIMENSIONS ARE IN MILLIMETERS SURFACE FINISH: TOLERANCES: LINEAR: ±5mm ANGULAR: 1 deg		FINISH: WHITE POWDER COATED	
NAME	SIGNATURE	DATE	
DRAWN NM		8/07/2020	LAST UPDATED
CHK'D			
APPV'D			DO NOT SCALE DRAWING
THE INFORMATION CONTAINED IN THIS DRAWING IS THE SOLE PROPERTY OF SRSMITH AUSTRALIA Pty Ltd. ANY REPRODUCTION IN PART OR IN WHOLE WITHOUT THE WRITTEN PERMISSION OF SRSMITH AUSTRALIA Pty Ltd IS PROHIBITED.		MATERIAL: 316 SS	DWG NO. 13-61-5004-DWG-002
		SCALE:1:20	SHEET 2 OF 2
			A3 REVISION A



Serious Equipment - Serious Fun - Access for All
SRSAustralia PTY LTD
 12 Enterprise Street, Richlands QLD 4077
 PO Box 4416, Forest Lake QLD 4078
 P +61 7 3812 2283 | F +61 7 3812 1187

TITLE: 13-61-5004
 BOM