

Designer Custom Rail Request

Project Name _____

Residential Commercial

Distributor Name _____

Distributor Contact Name _____

Distributor Address _____

City _____

State _____

Zip _____

Distributor Phone _____

Fax _____

Distributor Email _____

Tubing: Outside Diameter 1.90"

Wall Thickness .049" (res. only) .065" .109" 1.50" ONLY

.120" ONLY

Grade 304 (standard) 316L (marine grade)

Coating: SealedSteel Vinyl* None White Taupe Gray Dark Gray Black

Powder Coating* None White Taupe Silver Gray Rock Gray

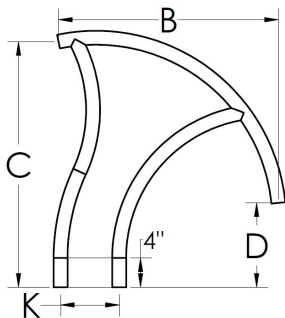
*Escutcheons not included

Copper Vein Hammertone Black

Requested Handrail Pattern:

DR-G3D065

Qty: _____

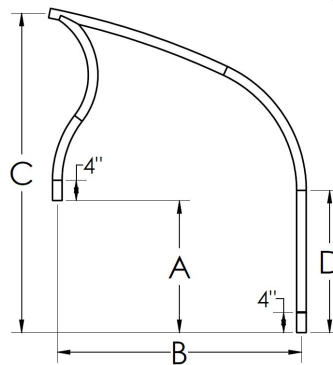


Single Pair

B: _____
C: _____
D: _____
K: _____

DR-D2S5065

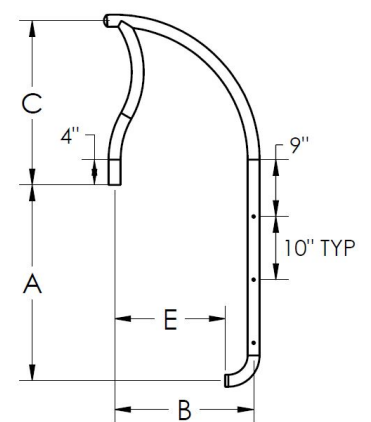
Qty: _____



A: _____
B: _____
C: _____
D: _____

DR-L3065

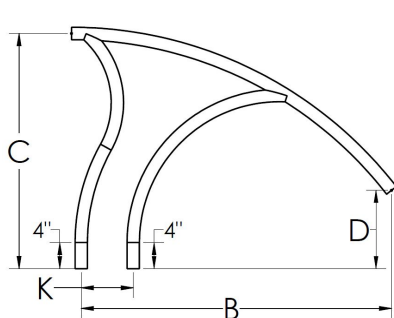
Qty: _____



A: _____
B: _____ NUMBER OF STEPS
C: _____
E: _____

DR-D3D50065

Qty: _____

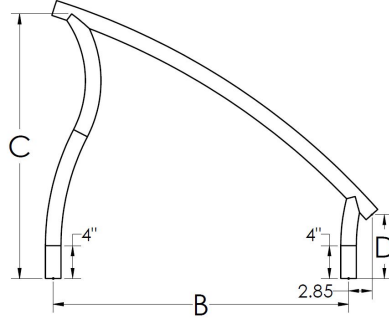


Single Pair

B: _____
C: _____
D: _____
K: _____

DR-D2D3.0065

Qty: _____



Single Pair

B: _____
C: _____
D: _____

ALL LEG LENGTHS SHOULD INCLUDE THE AMOUNT TO BE INSERTED INTO THE ANCHOR

Please fax to 615.323.1573 or email customrails@srsmith.com

toll free 877.325.0768
fax 615.323.1573
email customrails@srsmith.com

