

Sentry® Lifeguard Chairs



Sentry® 30", 42", and 66" seat height lifeguard chairs

Designed to complement any aquatic environment, Sentry® Lifeguard Chairs provide an elegant look that will stand the test of time.

- Outdoor furniture style and appeal
- Constructed from HDPE for strength and low maintenance
- Marine grade, 316 stainless steel hardware
- Textured treads for slip resistant surface
- Wheel kits available to facilitate transport
- 30" chair comes with brackets for anchoring to pool deck, 42" & 66" chairs are pre-drilled for concrete anchors*
- 66" chair available with additional center support for high wind environments
- Cup & umbrella holders on all chairs
- UPS shippable
- Made in USA

*included only with SLGC-66



30" Chair Wheel Kit



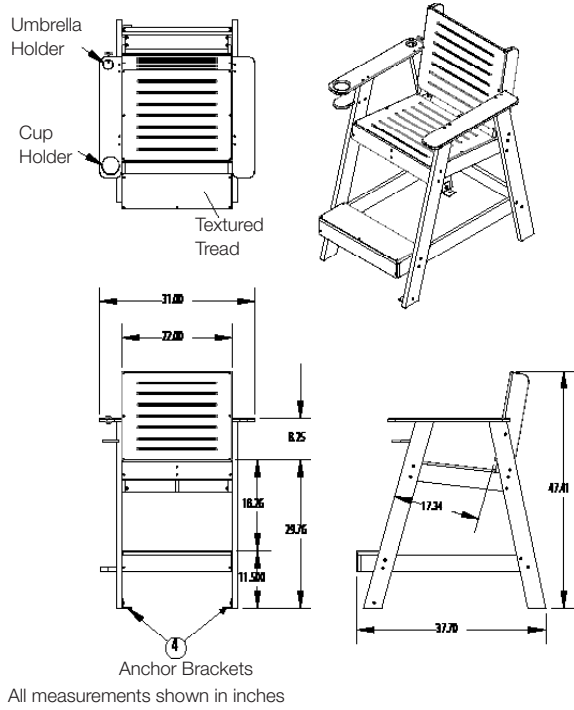
42" & 66" Chair Wheel Kit

Accessories & Replacement Parts

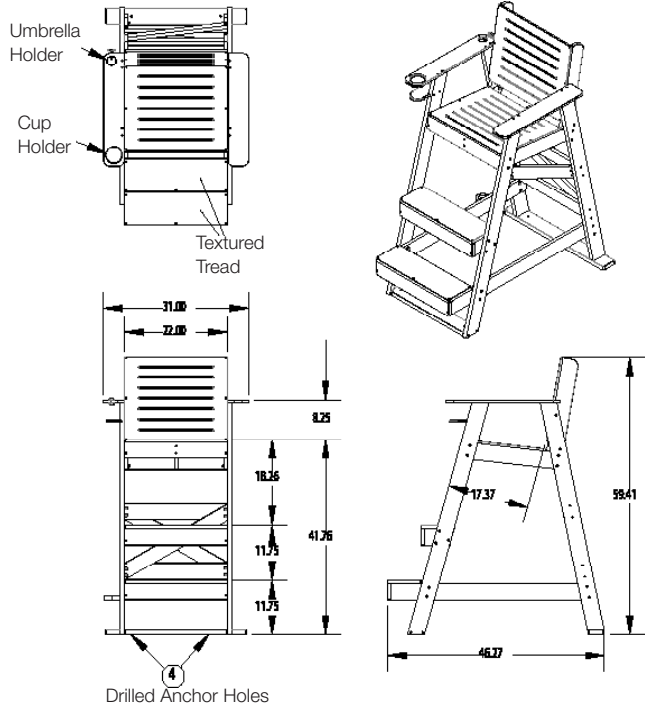
- 13-501 30" chair anchor brackets (included)
- 13-502 30" wheel kit
- 13-503 42" & 66" wheel kit
- 13-504 Life Ring Hook
- 13-505 Concrete anchors for 42" & 66" chairs
- 13-530 Hardware replacement kit for 30" chair
- 13-542 Hardware replacement kit for 42" chair
- 13-566 Hardware replacement kit for 66" chair

Model No.	Description	Shipping — Class 70				
		Weight	Length	Width	Height	
SLGC-30	30" Sentry Lifeguard Chair	67 lbs	45"	19"	3"	
SLGC-42	42" Sentry Lifeguard Chair	95 lbs	54"	19"	4"	
SLGC-66	66" Sentry Lifeguard Chair	Box 1	95 lbs	54"	19"	4"
		Box 2	70 lbs	78"	14"	3"
SLGC-66-S	66" Sentry Lifeguard Chair with center supports	Box 1	110 lbs	54"	19"	4"
		Box 2	70 lbs	78"	14"	3"

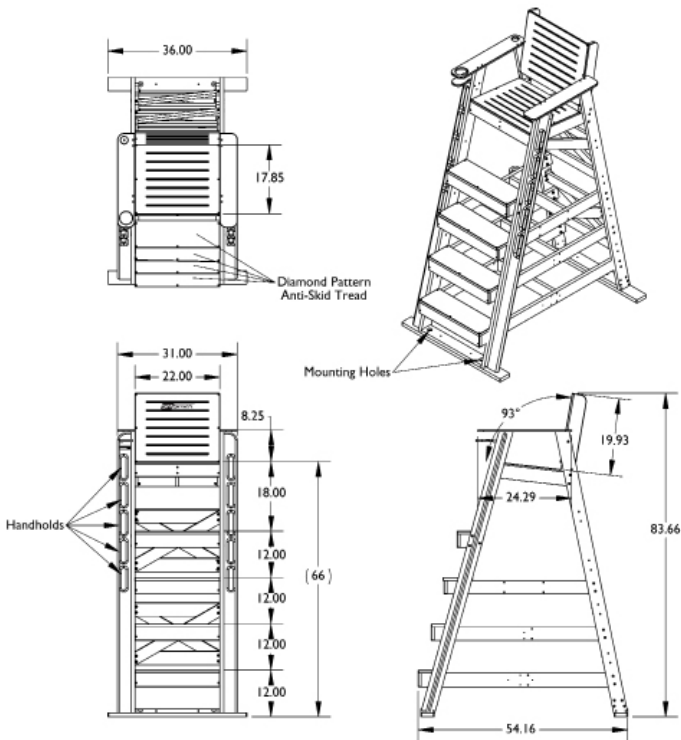
30" Sentry Lifeguard Chair



42" Sentry Lifeguard Chair



66" Sentry Lifeguard Chair



66" Sentry Lifeguard Chair w/ Center Supports

