

POOL ACCESS PLATFORM LIFT

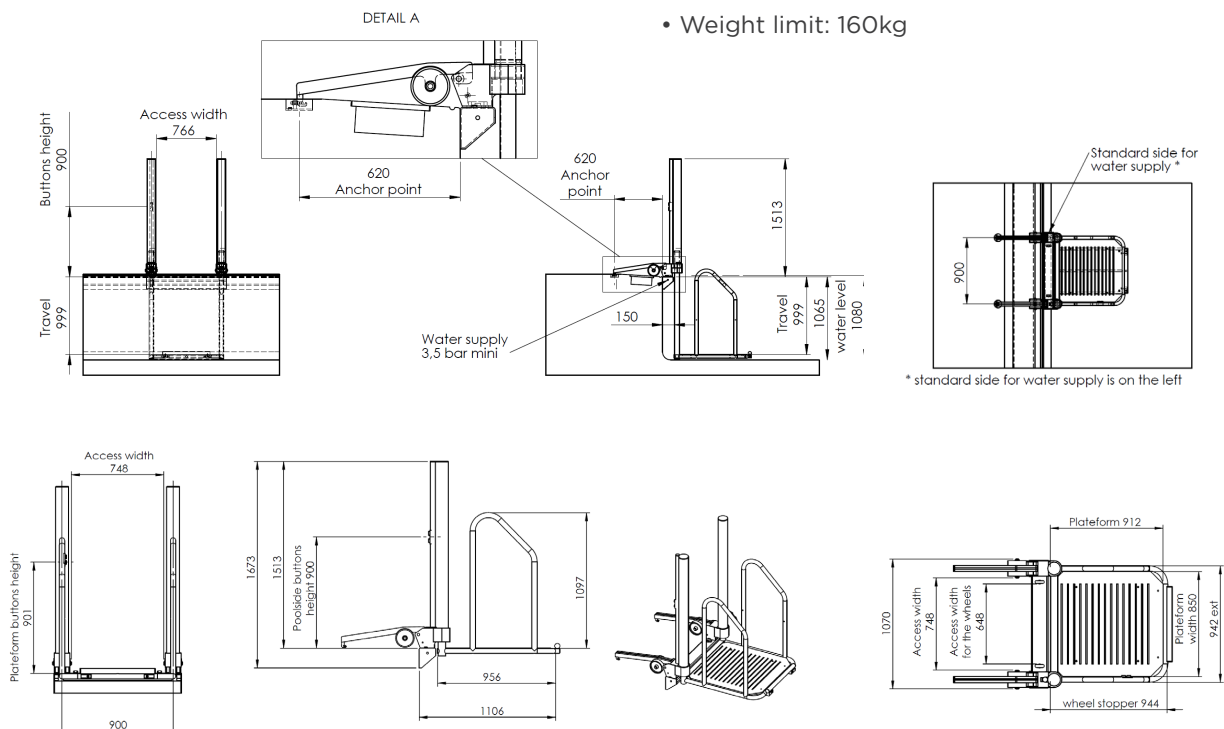


Mobile Hydraulic Platform Lift

A hydraulic driven Mobile Platform Lift that allows users to descend into the pool from an aquatic chair or from a standing position. Designed with in-deck mounting points, electro-polished 316L stainless steel and high-density polyethylene construction. Using an in-built dual pressure control panel the user can independently descend into the pool.

- Hydraulic drive connected to water supply (Minimum pressure 3 bars)
- Simple retro-fit installation
- Simple user controls (from deck or on platform)
- Foldable for storage
- Custom designed to suit any pool deck profile
- Typical design to accommodate overflow gutter (shown below)
- Patented and CE certified
- Guaranteed for 2 years
- Weight limit: 160kg

Typical lift design for pools with overflow gutters



Pool Access Platform Lifts

Model/Item No.	Description
LM-10	LM-10 Platform Lift