

**SR** Smith

# RESORT SERIES IN-POOL FURNITURE



OFFICIAL  
POOL  
EQUIPMENT  
SUPPLIER



Pool **Better**



# RESORT SERIES IN-POOL FURNITURE

## CONTENTS

Overview .....	3
Resort Series Lounger .....	4
Resort Series Deep Water Lounger .....	6
Resort Series Rocking Lounge Chair ....	8
Resort Series Sun Shelf Tables .....	10

## ABOUT S.R.SMITH

Established in 1932, S.R.Smith has successfully evolved from a small diving board company into a trusted supplier of swimming pool products for customers around the world. Pools are supposed to be fun, and S.R.Smith advances this notion with products that provide:

- Recreation and Relaxation
- Access and Ambiance
- Competition, Flexibility and Efficiency

In short, our customers trust our leadership and expertise to Pool Better.

## FORGET THE WORK AND JUST RELAX

Enjoy your sun shelf with in-pool furniture that's lightweight and easy to use. Simply place Resort Series in-pool loungers and tables where you want and press down to fill and secure without the need for tools, tanks or hoses.

## SALT POOL FRIENDLY

We know pool builders and consumers alike enjoy the benefits of salt chlorinator systems—that's why we've designed a line of products that perform well in salt pool environments. Our Salt Pool Friendly icon is your visual assurance that the most durable and salt friendly materials have been used in manufacturing.



# Resort Series Lounger

It's never been easier to add in-pool loungers. Position these lightweight Resort Series Loungers on your sun shelf, then simply press down as they fill themselves with water in seconds—no tools, tanks or hoses required.

- Proprietary self-filling technology allows for easy installation and removal—no tools or hoses needed
- Ideal for use in water up to 12-inches deep
- Durable rotomolded construction for long-lasting use with built-in UV protection that resists fading
- Add seating to any pool with a sun shelf
- Available in five colors and visual textures to complement any poolscape
- Pair loungers with Resort Series Sun Shelf Tables to complete your retreat

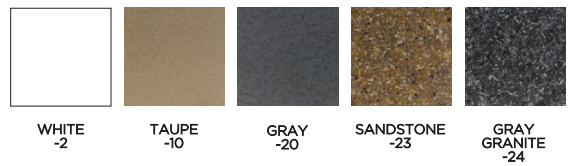




Shown in White

PART #	DESCRIPTION
SHIPPING: 32 lbs - 68"L x 22"W x 17.22"H   CLASS 70 16 kg - 172cm x 56cm x 44cm	
RS-1-2	Resort Series Lounger - White
RS-1-10	Resort Series Lounger - Taupe
RS-1-20	Resort Series Lounger - Gray
RS-1-23	Resort Series Lounger - Sandstone
RS-1-24	Resort Series Lounger - Gray Granite

COLOR OPTIONS



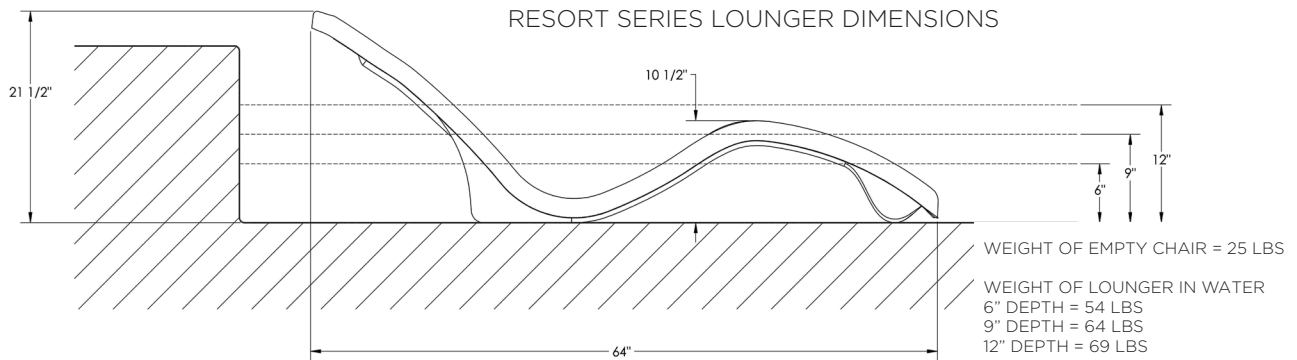
WHITE  
-2

TAUPE  
-10

GRAY  
-20

SANDSTONE  
-23

GRAY  
GRANITE  
-24



# Resort Series Deep Water Lounger

Sit back and relax comfortably in water up to 15-inches deep. The Resort Series Deep Water Loungers stay put on sun shelves with a bit more depth using our proprietary self-filling technology that makes installation easy.

- A bigger base holds more water to keep your lounge securely situated in deeper water
- Proprietary self-filling technology allows for easy installation and removal—no tools or hoses needed
- Higher base makes it easier to sit down and stand up
- Durable rotomolded construction for long-lasting use with built-in UV protection that resists fading
- Add seating to any pool with a sun shelf up to 15-inches deep
- Available in five colors and visual textures to complement any poolscape
- Pair Deep Water Loungers with Resort Series 18-inch Sun Shelf Tables to complete your retreat

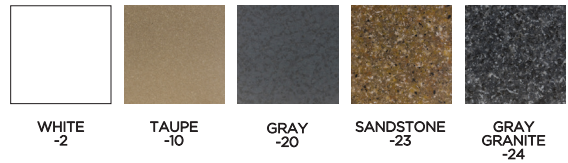




Shown in White

PART #	DESCRIPTION
SHIPPING: 42 lbs - 68"L x 23"W x 26"H 15 kg - 173cm x 58cm x 66cm	
RS-3-2	Resort Series Deep Water Lounger - White
RS-3-10	Resort Series Deep Water Lounger - Taupe
RS-3-20	Resort Series Deep Water Lounger - Gray
RS-3-23	Resort Series Deep Water Lounger - Sandstone
RS-3-24	Resort Series Deep Water Lounger - Gray Granite

COLOR OPTIONS



WHITE  
-2

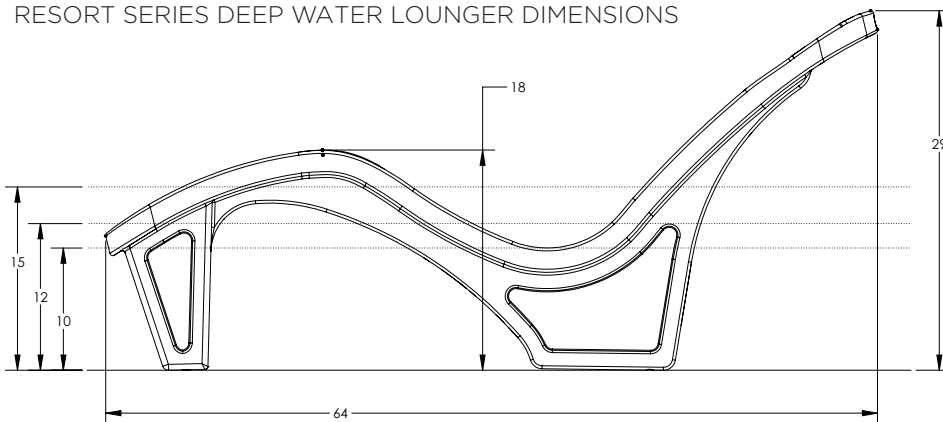
TAUPE  
-10

GRAY  
-20

SANDSTONE  
-23

GRAY  
GRANITE  
-24

RESORT SERIES DEEP WATER LOUNGER DIMENSIONS



WEIGHT OF EMPTY CHAIR = 28 LBS

WEIGHT OF LOUNGER IN WATER  
 10" DEPTH = 110 LBS  
 12" DEPTH = 140 LBS  
 15" DEPTH = 184 LBS

# Resort Series Rocking Lounge Chair

Sit back, relax and enjoy your pool with Resort Series Rocking Loungers. Featuring an upright design, slight rocking motion and our self-filling technology that makes installation simple as 1-2-3, you'll be sitting pretty in no time.

- A slight rocking motion makes it easier to stand back up
- The unique reclining angle allows you to sit up straighter while relaxing
- Proprietary self-filling technology allows for easy installation and removal—no tools or hoses needed
- Durable rotomolded construction for long-lasting use with built-in UV protection that resists fading
- Add seating to any pool with a sun shelf
- Available in five colors and visual textures to complement any poolscape
- Pair Rocking Loungers with Resort Series Sun Shelf Tables to complete your retreat



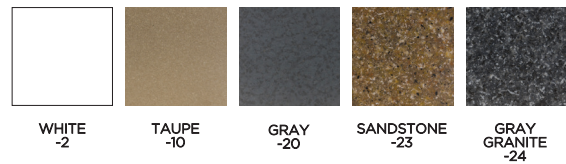




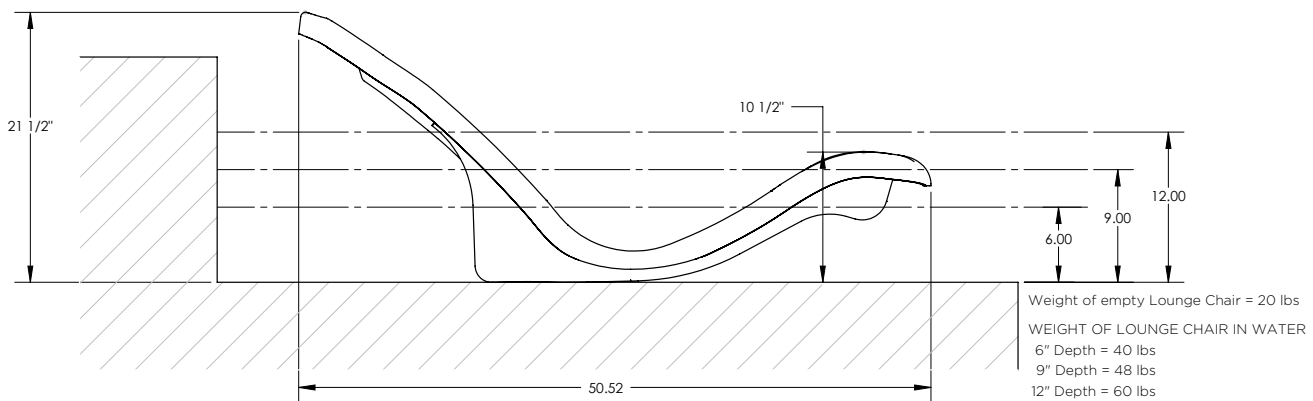
Shown in White

PART #	DESCRIPTION
SHIPPING: 28 lbs - 53"L x 23"W x 19.5"H 9 kg - 135cm x 58cm x 50cm	
RS-2-2	Resort Series Rocking Lounge Chair - White
RS-2-10	Resort Series Rocking Lounge Chair - Taupe
RS-2-20	Resort Series Rocking Lounge Chair - Gray
RS-2-23	Resort Series Rocking Lounge Chair - Sandstone
RS-2-24	Resort Series Rocking Lounge Chair - Gray Granite

COLOR OPTIONS



RESORT SERIES ROCKING LOUNGE CHAIR DIMENSIONS



# Resort Series Sun Shelf Tables

The perfect spot to rest a book or a beverage, Resort Series Sun Shelf Tables are lightweight and easy to use. Simply place the table where you want and press firmly—our self-filling technology ensures it stays put.

- Proprietary self-filling technology allows for easy installation and removal—no tools or hoses needed
- Made to accommodate a standard pool umbrella for relaxing in the shade
- Keep everything you need high, dry and nearby
- Durable rotomolded construction for long-lasting use with built-in UV protection that resists fading
- Add Resort Series Sun Shelf Tables to any pool with a sun shelf or beach entry
- Available in five colors and visual textures to complement any poolscape
- Pair with in-pool loungers to complete your retreat





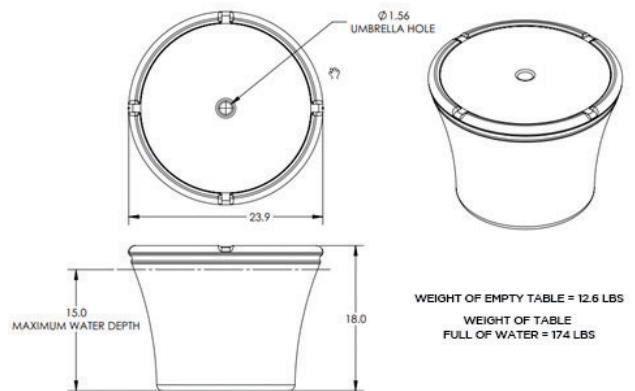
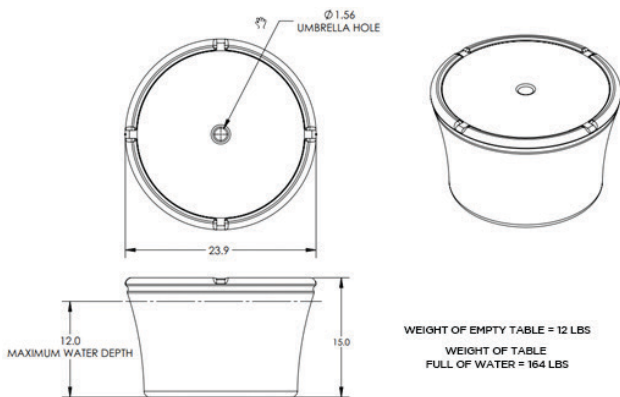
Shown in White

PART #	DESCRIPTION
SHIPPING: 15.5 lbs - 25"L x 25"W x 19"H 7 kg - 64cm x 54cm x 48cm	
RS-4-2	Resort Series 15" Sun Shelf Table - White
RS-4-10	Resort Series 15" Sun Shelf Table - Taupe
RS-4-20	Resort Series 15" Sun Shelf Table - Gray
RS-4-23	Resort Series 15" Sun Shelf Table - Sandstone
RS-4-24	Resort Series 15" Sun Shelf Table - Gray Granite
SHIPPING: 16 lbs - 25"L x 25"W x 19"H 7 kg - 64cm x 54cm x 48cm	
RS-5-2	Resort Series 18" Sun Shelf Table - White
RS-5-10	Resort Series 18" Sun Shelf Table - Taupe
RS-5-20	Resort Series 18" Sun Shelf Table - Gray
RS-5-23	Resort Series 18" Sun Shelf Table - Sandstone
RS-5-24	Resort Series 18" Sun Shelf Table - Gray Granite

COLOR OPTIONS



RESORT SERIES SUN SHELF TABLE DIMENSIONS





A Fluidra Brand | [SRSmith.com](https://www.SRSmith.com) | 1.800.822.7933

©2024 Fluidra. All rights reserved. The trademarks and trade names used herein are the property of their respective owners. 80173\_SA