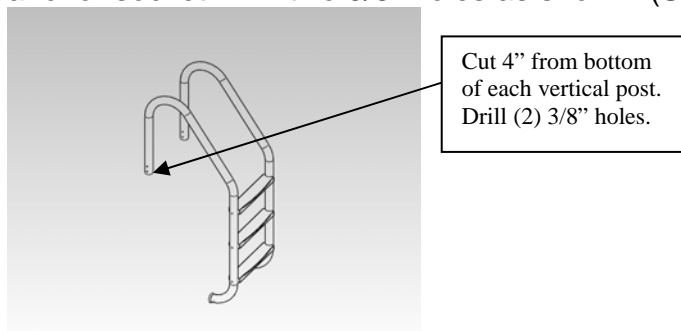


SNAP-LOK ANCHOR (60-713) INSTALLATION INSTRUCTIONS

1. Install and secure the snap-lok anchor base into an existing anchor socket and secure by inserting anchor bolt through hole in snap-lok anchor base, into the wedge in the anchor, and tighten.
2. When retrofitting a snap-lok anchor onto a standard ladder, the bottom 4" of tube must be cut off of the ladder posts that would normally go into the anchor socket. Drill two 3/8" holes as shown. (See fig. 1)



(Fig. 1)

Double button snap lock should be inserted into bottom of ladder posts, and seated into top hole. Secure the ladder to the anchor by inserting 2-1/2" bolt through bottom hole in ladder, and tighten with flat washer and acorn nut.

