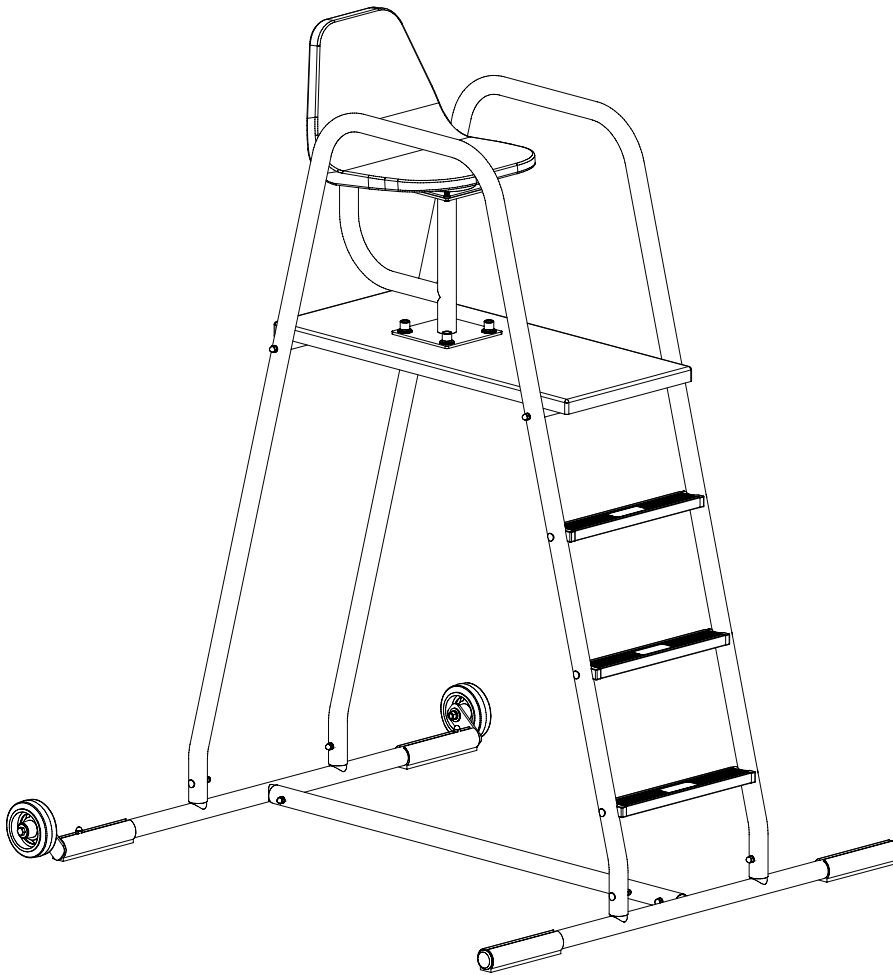


S.R. Smith **COMMERCIAL**

PORTABLE LIFE GUARD STAND

ASSEMBLY INSTRUCTIONS



**CORPORATE HEADQUARTERS
WESTERN SALES AND MANUFACTURING PLANT
P.O. Box 400 • 1017 SW Berg Parkway
Canby, Oregon 97013
(503) 266-2231 • Fax (503) 266-4334
www.srsmith.com**

INTRODUCTION

The Portable Lifeguard Stand is designed for use on competitive or municipal pools. Proper placement, use, and maintenance are essential for proper operation and to reduce the risk of accident or injury.

****IMPORTANT****

Check entire box and inside all packing materials for parts. Before beginning assembly, read the instructions and identify parts using the figures and parts listed in this document. It is critical that all parts be carefully inspected by the installer prior to installation to ensure that no damage occurred in transit and that a damaged part is not used. Proper installation cannot be overstressed, as an improper installation voids S.R. Smith's warranty and may affect the safety of the user.

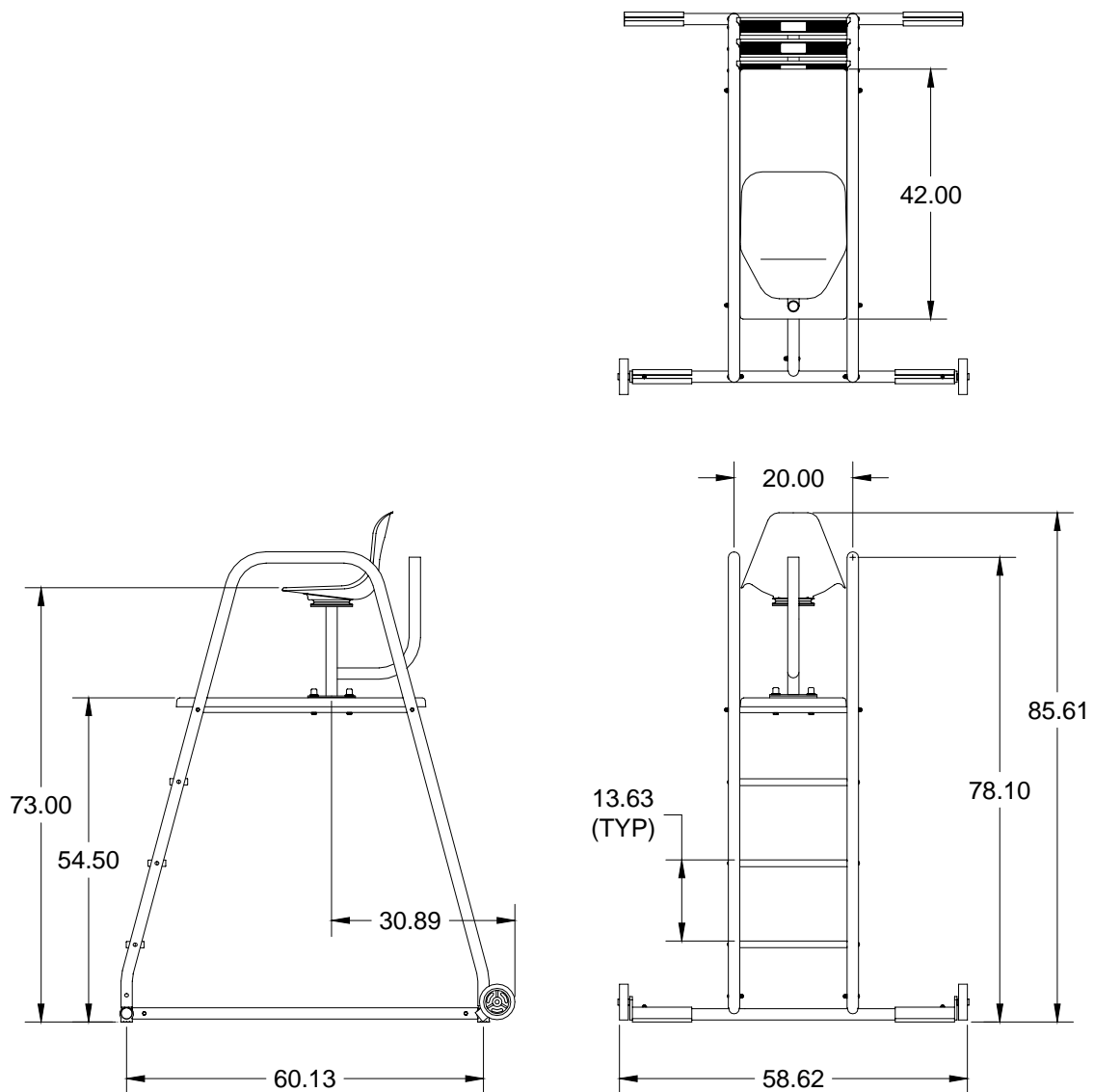


FIGURE 1

PORTABLE LIFEGUARD CHAIR PARTS LIST

ITEM NO.	QTY.	PART NO.	DESCRIPTION
1	1	50-660R	PLS-204 FRAME RIGHT
2	1	20-106	PLS-204 FOOTBOARD SUPPORT ASSY
3	1	50-660L	PLS-204 FRAME LEFT
4	1	8-705	FOOTBOARD, 18" X 42", PLS&ILGS 204
5	1	13-109	SWIVEL STAND W/ UMBRELLA HOLDER
6	1	50-661A	PLS FRONT SUPPORT FRAME
7	1	50-661B	PLS BACK SUPPORT FRAME
8	1	50-661C	PLS CENTER SUPPORT FRAME
9	3	LTDF-105	20" ELITE TREAD W/ NO HARDWARE
10	8	5-195	3/8-16 X 2-1/4" CRADLE HEAD BOLT, SS
11	12	5-151	LOCK WASHER, 3/8", SPLIT, SS
12	12	5-156	3/8-16 ACORN NUT, 316 SS
13	2	8-104	PLASTIC RAIL END PLUG
14	1	20-107L	PLS WHEEL BRACKET ASSY, LH
15	1	20-107R	PLS WHEEL BRACKET ASSY, RH
16	2	8-862	PLS 6" WHEEL
17	4	FC-100C	10" FULCRUM COVER W/ SLOT
18	6	5-125	HEX HEAD CAP SCREW, 1/2"-13 X 3-1/2", SS
19	8	05-14-114	FLAT WASHER, 1/2", SS
20	6	05-14-115	LOCK WASHER, 1/2", SS
21	6	05-14-116	1/2" HEX NUT S/S
22	2	5-172	3/18-16 X 22-3/4, THREADED ROD, SS
23	4	05-616	1/2" X 1-1/2" ROUND NYLON WASHER
24	1	8-510	GASKET, 7-1/2" X 7-1/2"
25	1	2407030	SWIVEL, LIFEGUARD CHAIR
26	4	2024189	SCREW, 1/4" UNC X 3/4" LG, PAN HEAD, SLOTTED, SS
27	8	5-149	LOCK WASHER, 1/4", SPLIT, SS
28	8	5-137	HEX NUT, 1/4" UNC, SS
29	4	05-618	NUT CAP, 1/2", WHITE PLASTIC
30	1	8-609	LIFEGUARD SEAT
31	6	5-170	3/8-16 X 2-1/4" CRADLE HEAD BOLT, SS
32	6	5-139	3/8-16 HEX NUT, SS

ASSEMBLY INSTRUCTIONS

1. Place **Center Support Frame (item 8)** over **Front Support Frame (item 6)** and install **Cradle Head Bolt (item 10)** through both. Place **3/8" Lock Washer (item 11)** and **3/8" Acorn Nut (item 12)** over **Cradle Head Bolt** and tighten. Repeat for **Rear Support Frame (item 7)**. See **FIGURE 2** below.
2. Left and Right hand wheel brackets come pre-assembled. Install wheel bracket assemblies as shown below in **FIGURE 2**. Do not over tighten fasteners.

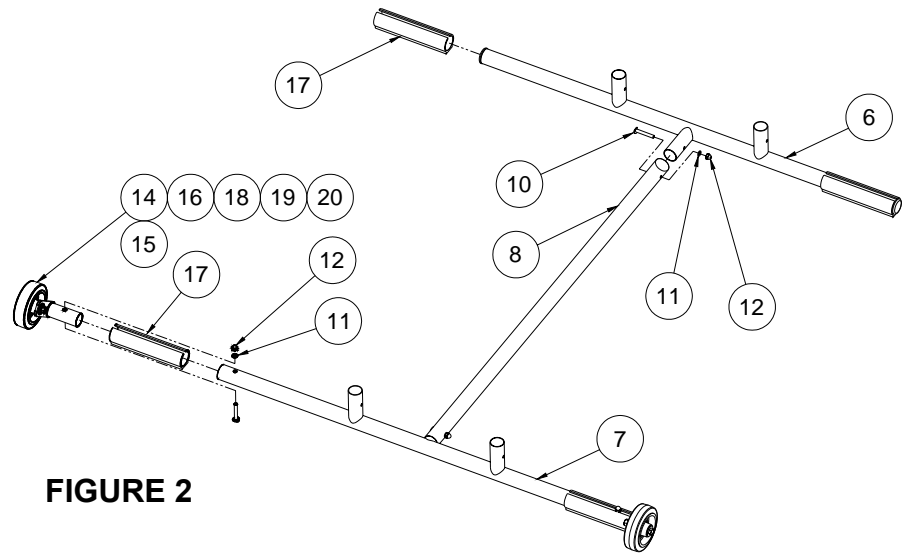


FIGURE 2

3. Place **10" Fulcrum Cover (item 17)** over the ends of the **Front & Rear Support Frames** (4 places) as shown in **FIGURE 2**.

4. Place **3/8" Threaded Rod (item 22)** through **PLS-204 Frame Right (item 1)** two places as shown in **FIGURE 3**. Place **3/8" Lock Washer (item 11)** and **3/8" Acorn Nut (item 12)** as shown over the ends of the threaded rod. Place the **PLS-204 Footboard Support Assembly (item 2)** over the **3/8" Threaded Rod**. Place the Footboard Support into the 1" diameter holes on the right PLS-204 Frame making sure that the four 9/16" diameter holes in the Footboard Support are positioned closest to the back of the frames. Note: the front of the frames have holes for three stainless steel treads.

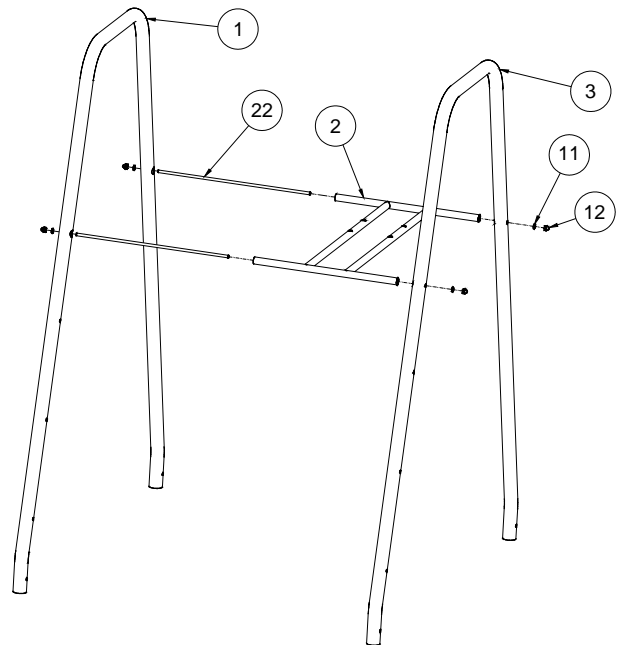


FIGURE 3

5. Place **PLS-204 Frame Left (item 3)** over the ends of the threaded rods and the Footboard Support Assembly. Place **3/8" Lock Washer (item 11)** and **3/8" Acorn Nut (item 12)** over the ends of the threaded rod protruding from PLS-204 Frame Left as shown in **FIGURE 3**. Do not tighten nuts at this time.
6. Position **20" Elite Tread (item 9)** between PLS-204 Left and Right frames three (3) places. Install **3/8" Cradle Head Bolt (item 31)** through frame and steps, six (6) places. Place **3/8" Hex Nut (item 32)** over the ends of the Cradle Head Bolts as shown in **FIGURE 4**. Do not tighten at this time.

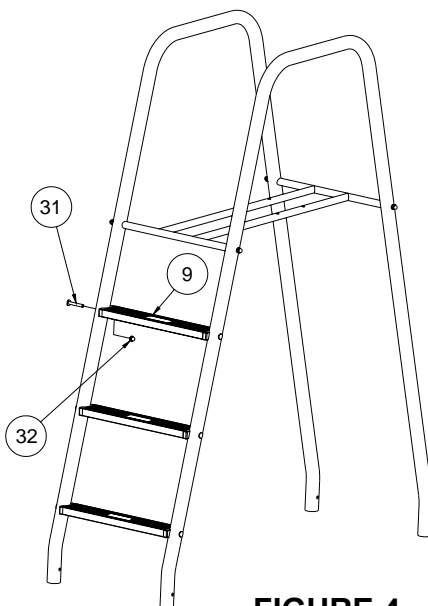


FIGURE 4

7. Place assembled **PLS-204 Frame** over the **Front & Rear Support Frames**. Insert **3/8" Cradle Head Bolt (item 10)** four places through upper and lower support frames. Place **3/8" Lock Washer (item 11)** and **3/8" Acorn Nut (item 12)** over the ends of the Cradle Head Bolts as shown in **FIGURE 5**.

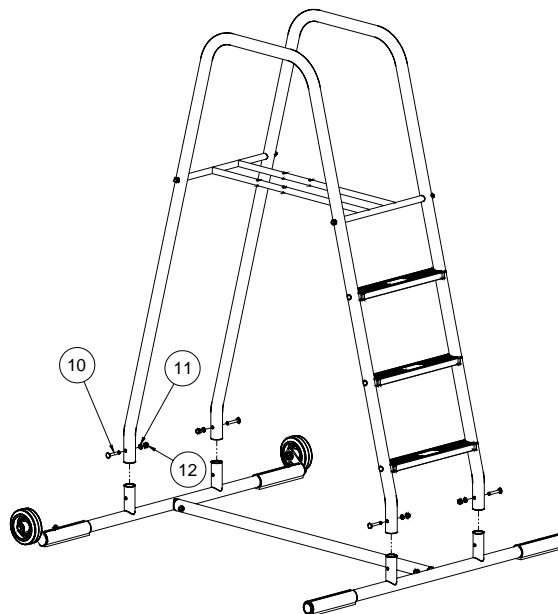
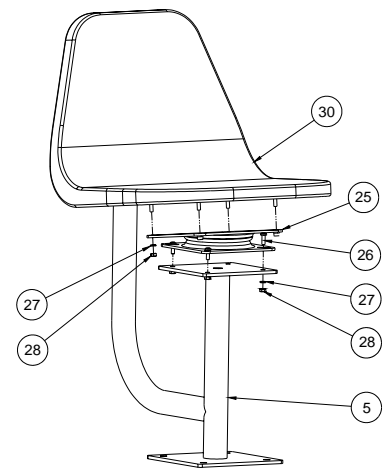


FIGURE 5

8. Place **Swivel (item 25)** onto **Swivel Stand W/ Umbrella Holder (item 5)** orienting as shown in **FIGURE 6**. Place **Screw (item 26)** through Swivel and Swivel Stand (4 places) as shown in **FIGURE 6**. Place **¼" Lock Washer (item 27)** and **¼" Hex Nut (item 28)** onto **Screw** and tighten (4 places).



9. Place **Lifeguard Chair (item 30)** onto **Swivel**. Attach **¼" Lock Washer (item 27)** and **¼" Hex Nut (item 28)** onto **Lifeguard Chair studs** and tighten (4 places) as shown in **FIGURE 6**.

10. Place **Footboard (item 4)** onto top of **Footboard Support Assembly (item 2)**. Place **Gasket (item 24)** onto Footboard and place PLS-204 Lifeguard Chair Assembly on top of Gasket orienting Umbrella holder towards rear of Lifeguard Chair.

11. Align holes and place four (4) **½" Hex Head Cap Screws (item 18)** through Footboard Support Assembly, Footboard, Gasket and Lifeguard Chair Assembly. Place **½" Plastic Washer (item 23)**, **½" Flat Washer (item 19)**, **½" Lock Washer (item 20)** and **½" Hex nut (item 21)** over Hex Head Cap Screws and tighten Hex Nuts as shown in **FIGURE 7**. Place **½" Plastic Nut Cap (item 29)** over Hex Nuts four (4) places.

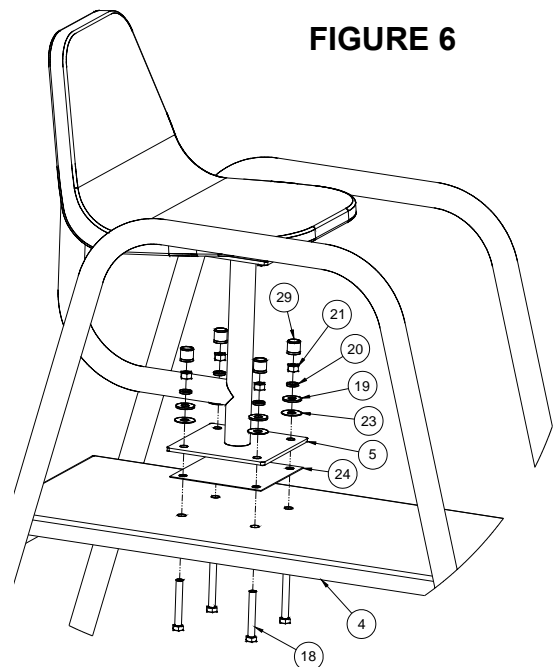


FIGURE 7

12. Tighten all fasteners being careful to compress all lock washers and no further. Excessive tightening of fasteners results in damage to tubing and related parts voiding warranty and creating an unsafe structure.

SAFETY & MAINTENANCE INSTRUCTIONS

- Periodically inspect the Portable Lifeguard Stand to assure there are no worn parts and that all hardware is properly tightened.
- All stainless steel parts require periodic maintenance. Polishing with a cotton cloth and a Windex-type product maintains the finish and restores luster.
- Use non-abrasive soap and water. Avoid harsh chemicals and disinfectants. Always read the label instructions on any cleaner carefully before applying it to a surface.