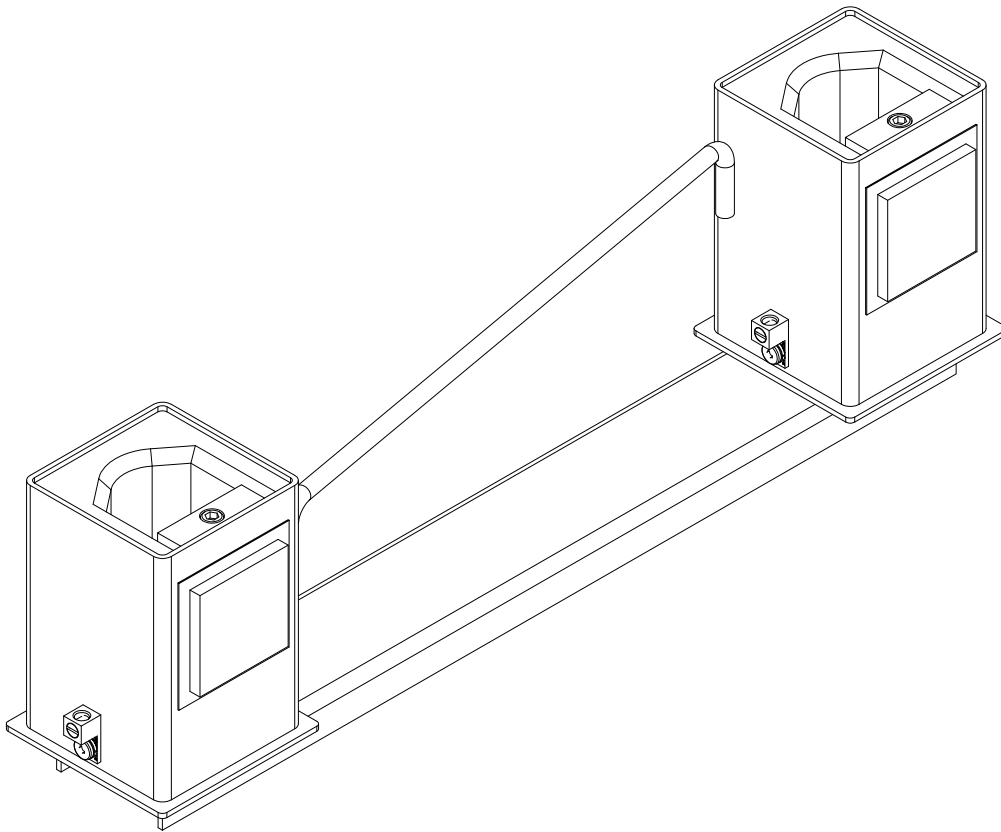




# ROCKSOLID® DUAL POST ANCHOR

## INSTALLATION INSTRUCTIONS



**CORPORATE HEADQUARTERS  
WESTERN SALES AND MANUFACTURING PLANT  
P.O. Box 400 • 1017 SW Berg Parkway  
Canby, Oregon 97013  
(503) 266-2231 • Fax (503) 266-4334  
[www.srsmith.com](http://www.srsmith.com)**

## INTRODUCTION

The RockSolid® Dual Post Anchor is designed for use on competitive or municipal pools. Proper installation, use, and maintenance are essential for proper operation and to reduce the risk of accident or injury.

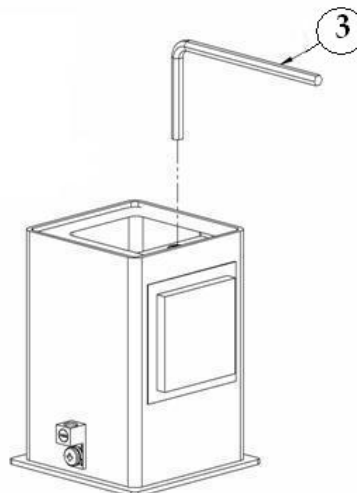
### **\*\*IMPORTANT\*\***

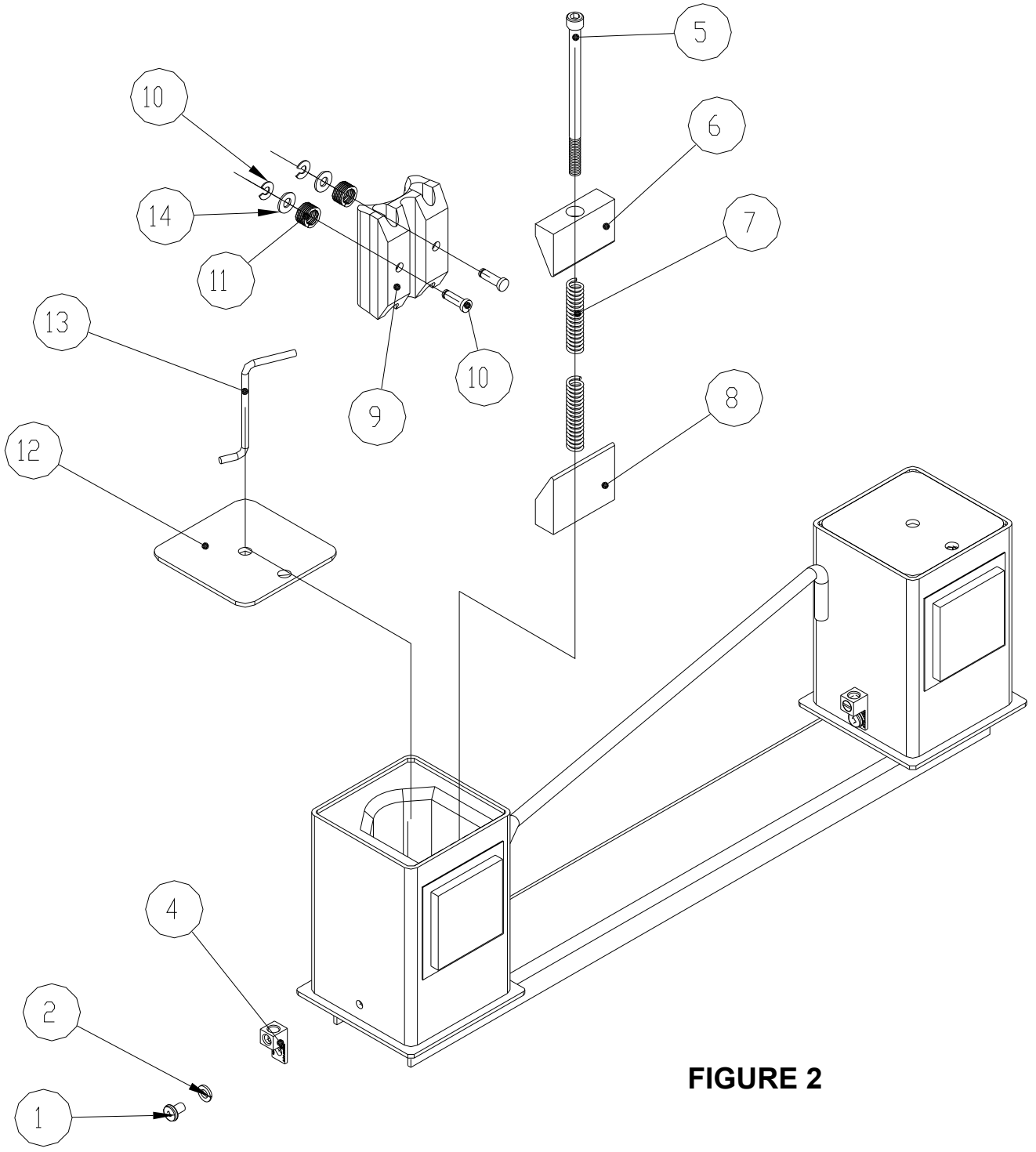
Check entire box and inside all packing materials for parts. Before beginning assembly, read the instructions and identify parts using the figures and parts listed in this document. It is critical that all parts be carefully inspected by the installer prior to installation to ensure that no damage occurred in transit and that a damaged part is not used. Proper installation cannot be overstressed, as an improper installation voids S.R. Smith's warranty and may affect the safety of the user.

## **ADJUSTABLE SINGLE POST ANCHOR PARTS LIST**

ITEM NO.	QTY.	PART NO.	DESCRIPTION
1	1	5-133	SCREW, 1/4-20 X 3/8 PHILLIPS, S/S
2	1	5-149	LOCK WASHER, 1/4", SPLIT, S/S
3	1	4-213	HEX KEY (ALLEN) WRENCH, CUSTOM, 1/4", STL
4	1	5-404	GROUND LUG, KPA-4C
5	2	5-168	5/16-18 X 5, SCH CAP SCREW S/S
6	2	8-131	TOP WEDGE-SINGLE POST BRASS
7	4	5-197	COMPRESSION SPRING
8	2	8-408	BOTTOM WEDGE-SINGLE POST BRASS
9	2	4-413	MIDDLE WEDGE DPRS BRASS
10	4	5-101	CLEVIS PIN, 1/4" X 3/4", S/S GROOVED
11	4	5-198	WAVE SPRING S/S
12	2	4-113-1	ANCHOR CAP, SINGLE POST
13	1	5-215-1	ANCHOR TOOL S/S
14	4	5-159	1/4" FLAT WASHER 316 S/S

**FIGURE 1**





**FIGURE 2**

## PLACEMENT INSTRUCTIONS

POSITION CENTER OF ANCHOR BACK FROM THE POOL WALL AS DETERMINED BY THE PARTICULAR STARTING PLATFORM BEING INSTALLED. POSITION THE TOP OF THE ANCHOR BODY FLUSH WITH THE POOL DECK. The adjustable anchor can be installed in an existing pool deck or set when pouring a new concrete deck. Place the anchor on-center of each diving lane wherever a starting platform will be installed.

### TYPICAL INSTALLATION

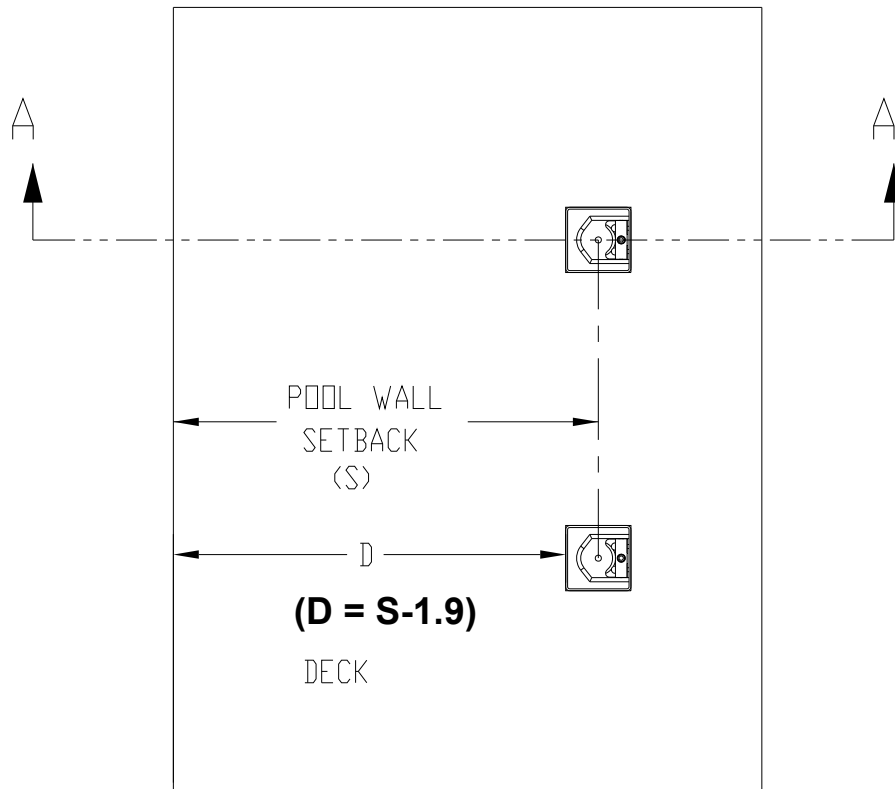
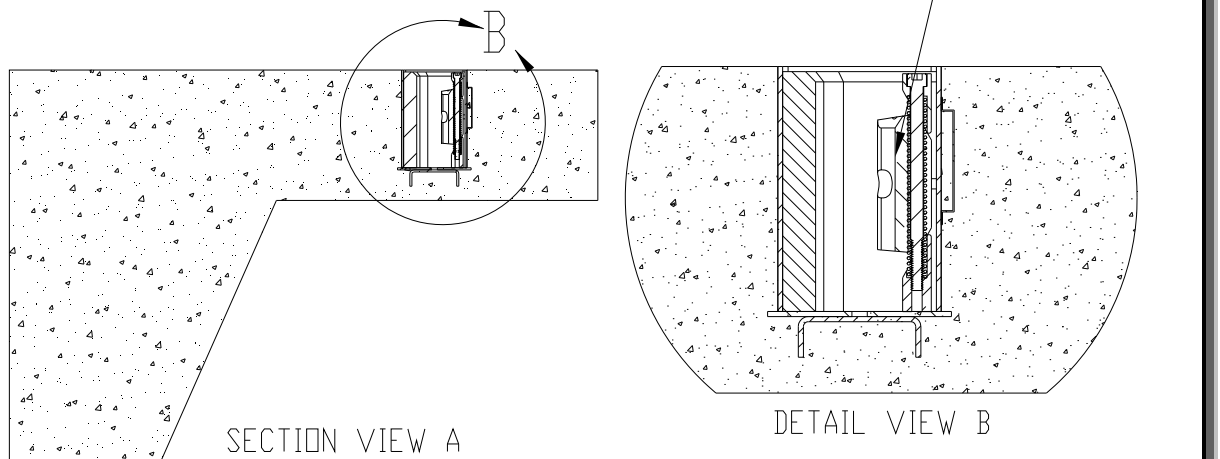
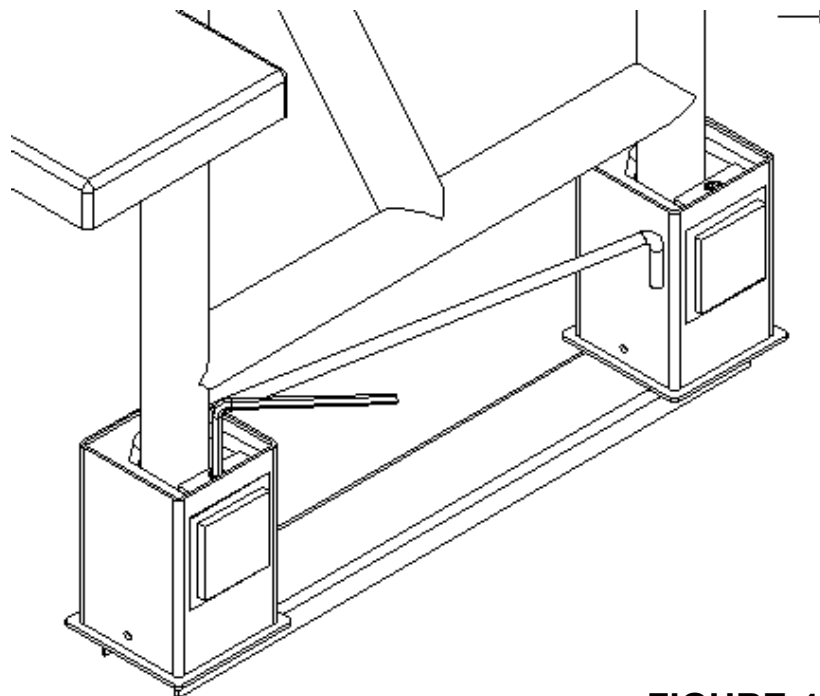


FIGURE 3



## ROCKSOLID ANCHOR INSTALLATION

1. The rocksolid anchor should be installed in the orientation shown in **FIGURE 3**. The side of the anchor that contains the wedge assembly should be oriented such that it is parallel to, and farthest away from, the pool wall.
2. The setback for the anchor must be set using the correct distance from the pool wall and with at least 6" from any control joint or edge of concrete slab. The correct setback distance depends on the starting block. **The distance for setting the anchor back from the pool wall is given by  $D=S-1.9$ , where S is the setback of the particular starting platform, see Figure 3.** If installing the rocksolid anchor into an existing deck, core drill at least a 6- $\frac{1}{2}$ -inch diameter hole at the chosen location for each anchor. If the deck is new construction the anchor must be braced so it is not moved from its proper position during pouring of the deck.
3. Properly ground the anchor socket using the attached grounding lug and the appropriate grounding wire per local codes. If electrical bonding is required by the local governmental regulations, it shall be done in accordance with Article No. 680 of the current National Electrical Code or the local code whichever is greater.
4. Align the anchor so that the side of the anchor that contains the wedge is oriented parallel to, and farthest away from the pool wall. Make sure the top of the anchor is flush with the pool deck and that the anchor is level and plumb.
5. With the anchor completely checked for level and plumb in the selected position, pour hydraulic cement or high strength epoxy into the hole making sure there are no void spaces if installing in an existing deck. If installation is new construction, ensure that the anchor is in its proper location and square to the pool wall before pouring concrete.
6. Let cement/grout cure for 24 hours (or minimum manufacturer's recommendations) before installing the starting platform in the anchor.



**FIGURE 4**

## STARTING PLATFORM INSTALLATION AND REMOVAL:

When placing a starting platform into an anchor it's important to follow these simple instructions.

1. Loosen bolt using a ¼" ALLEN wrench, turning wrench in a counter-clockwise direction as seen from looking down. See **FIGURE 4**. There is enough clearance to accommodate the use of most ratcheting wrenches.
2. Make sure that the opening size directly adjacent to wedge is large enough to allow sufficient room for the platform to be installed.
3. Place an escutcheon over each anchor such that the small hole in the escutcheon aligns with the actuating bolt.
4. Place starting platform into anchor making sure that the platform frame rests completely on the bottom of the anchor and the forward edge of the starting platform faces the pool edge.
5. Tighten ALLEN wrench in the clockwise direction until anchor wedge contacts the starting platform frame and no forward or backward motion can be felt. Anchor bolt should be snug but never over tightened.
6. To remove starting platform, insert the ALLEN wrench into anchor bolt and turn counter-clockwise until the platform is loosened. Lift and remove starting platform.

### SAFETY & MAINTENANCE INSTRUCTIONS

- **Execute shallow racing dives only.**
- For use by trained competitive swimmers only.
- Periodically inspect the RockSolid Anchor to assure there are no worn parts and that all hardware is properly tightened.
- All stainless steel parts require periodic maintenance. Cleaning with a cotton cloth and a Windex-type product maintains the finish.
- Keep anchor covered when not in use and make sure that anchor cavity remains clean and free of obstructions.