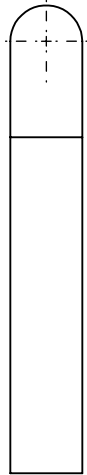
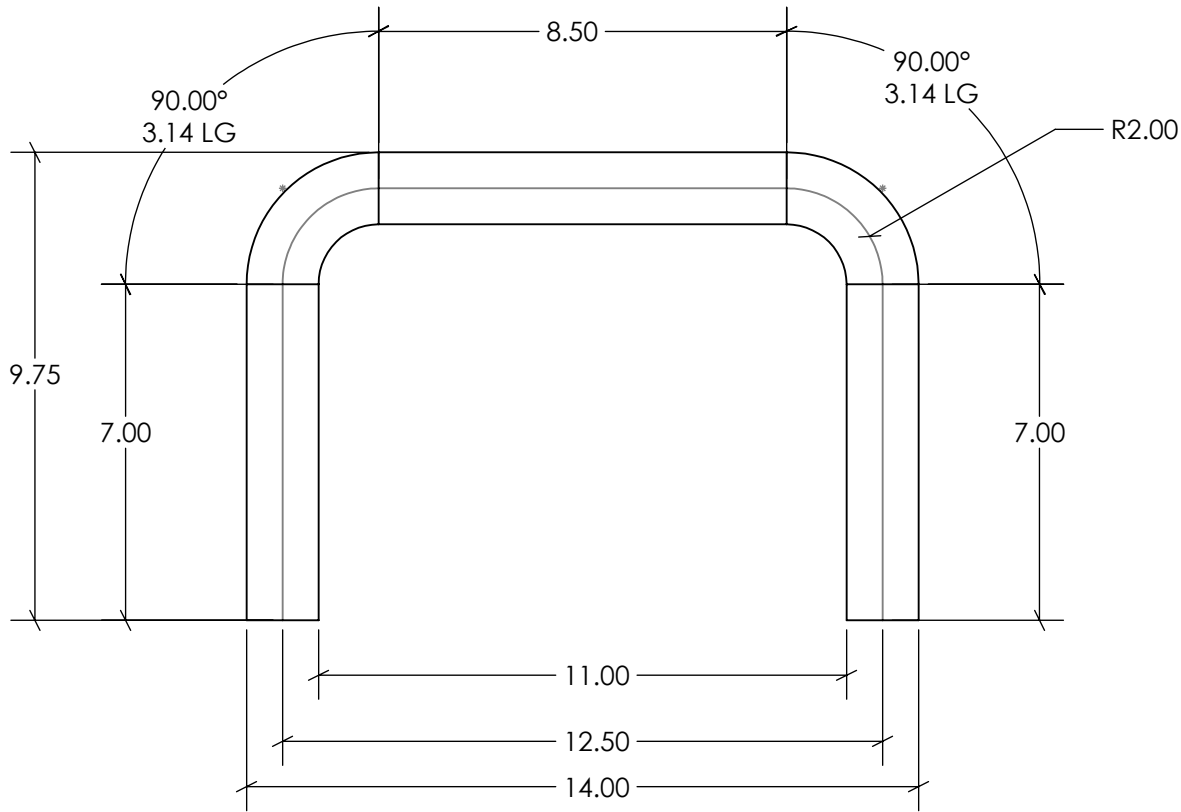
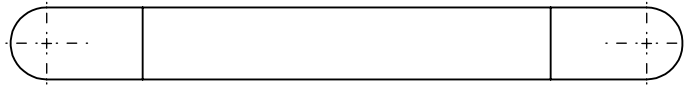


REVISIONS			
REV.	DESCRIPTION	DATE	ECN



TUBING LENGTH: 28.78"

UNLESS OTHERWISE SPECIFIED
DIMENSIONS ARE IN INCHES,
TOLERANCES ARE:
FRACTIONAL: $\pm 1/16$
ANGULAR: $\pm 1^\circ$
TWO PLACE DECIMAL: $\pm .06$
THREE PLACE DECIMAL: .. $\pm .031$

DESCRIPTION:

16" BENT TRANSFER RAIL
W/OUT FLANGES

MATERIAL:

1.50" O.D. x .120 WALL (316L) S/S

PART NO.: EB-16B

REV. A

DRAWN BY: DTJ

DATE: 6/23/12

CHECKED BY:

DATE:



P.O. BOX 400 - 1017 S.W. BERG PARKWAY
CANBY, OREGON 97013
PHONE (503) 266-2231