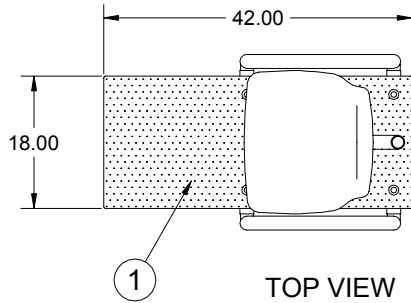
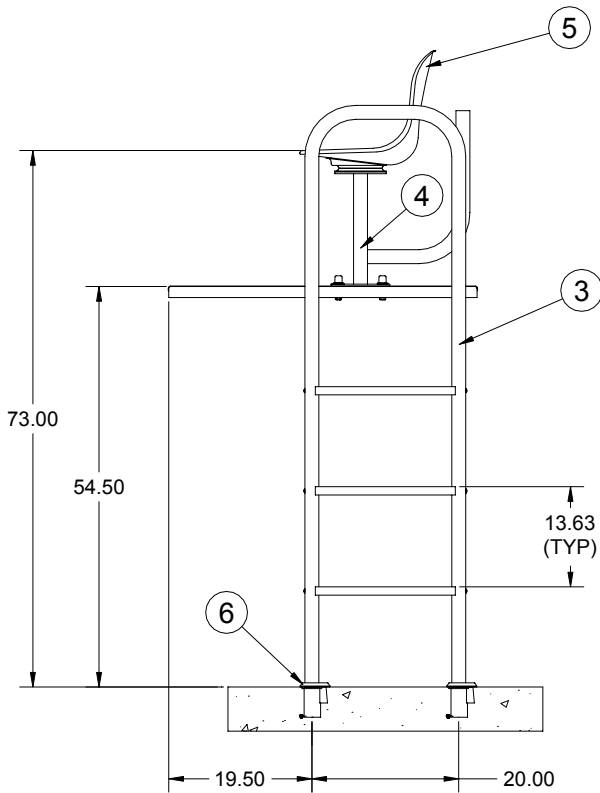


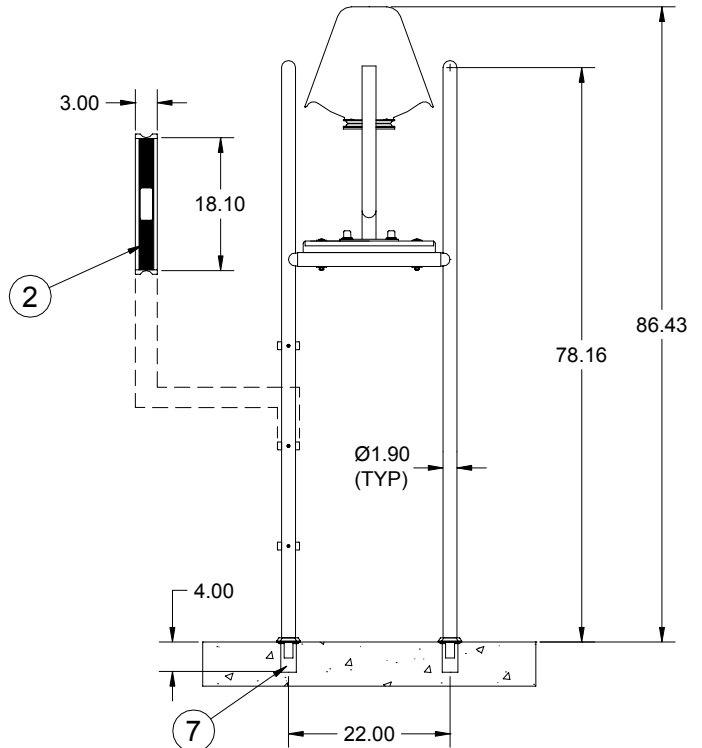
Institutional Lifeguard Stand



TOP VIEW



SIDE VIEW



BACK VIEW

NOTE: SETBACK DISTANCE FROM POOL EDGE TO BE DETERMINED BY LOCAL GOVERNMENT REGULATIONS. S.R. SMITH CANNOT GUARANTEE CUSTOMER'S CONCRETE OR THICKNESS.

Specification Number:	SRS-103		
Product Description:	Institutional Lifeguard Stand		
S.R. Smith Part Number:	ILGS-205	Scale:	NTS
Revision:	A	Date:	05/08/03
Written By:	T. Weil	Date:	05/08/03
Approved By:	B. Bisceglia	Date:	05/08/03
Page 1 of 2	Proprietary and confidential: The information contained in this specification is the sole property of S.R. Smith LLC. Any reproduction in part or whole without the written consent of S.R. Smith LLC is prohibited.		

S.R. Smith, LLC
P.O. Box 400, 1017 SW Berg Parkway
Canby, Oregon 97013
Tel: (888) 677-7776 (503) 266-2231
Fax: (503) 266-4334
www.srsmith.com



S.R. Smith LLC Commercial Division

Product Specifications - Written

Product Name: Institutional Lifeguard Stand

Part Number: ILGS-205

General Notes:

The **Institutional Lifeguard Stand** is a moderate to tall lifeguard chair with an extended observation platform (footboard) and umbrella support. It is intended for semi-permanent installation on relatively shallow anchor sockets.

Application:

Depending upon installation design and local codes, this model is suitable for use on commercial pools. Because the stand is easily removable and the vacant mounting points are easily protected, the stand may also be suitable for use on competition pools providing other design requirements are met. Depending upon installation and design, these stands may also be found to be ideal for use as judging and observation stands on tennis courts and other sporting sites.

Specifications:

- 1 **Footboard:** The observation platform (footboard) of the Institutional Lifeguard Stand measures 1-5/8" x 18 x 42 (41.4mm x 457.2 x 1066.8) and is a solid laminated fir core covered with fiberglass reinforced acrylic. The top surface is non-skid sanded tread.
- 2 **Step:** Three (3) steps are mounted to the frame. The steps are constructed of polished 304 stainless steel with nominal dimensions of 3" x 20 (76.2mm x 508). The step frames have replaceable, black, non-skid tread inserts.
- 3 **Frame:** The frame is constructed of polished, 1.90" O.D. x .065 wall (48.25mm x 1.65) type 304 stainless steel. All bends have a nominal bend radius of 6". Four (4) legs are mounted into the deck with the use of anchor assemblies.
- 4 **Swivel Stand w/ Umbrella Holder:** The base column of the swivel stand assembly is constructed of 1.90" O.D. x .065" wall (48.25mm x 1.65) type 304 stainless steel. At the lower end of the column is affixed a .25" (6.4mm) stainless steel plate which serves as a mounting flange. This flange is attached in tandem with the observation platform (footboard) to the platform supports. A 1.90" O.D. x .065 wall (48.25mm x 1.65) type 304 stainless steel tube is bent and affixed to the rear of the seat base column and serves as an umbrella holder.
- 5 **Seat w/ Swivel:** A special swivel mechanism is attached to the upper end of the swivel stand base column to allow for an approximate 45° rotation of the contoured, low-side fiberglass seat.
- 6 **Escutcheon (Optional)** (p/n IEP-100): This recommended oblong escutcheon plate is 4" (101.6mm) in length and is made of chrome plated cast brass. The escutcheon includes a tamper resistant, stainless steel set screw. Alternative escutcheons include p/n EP-100A or EP-100F.
- 7 **Anchor Assembly** (p/n IAS-100, see spec sheet for SRS-913): These recommended anchor sockets are bronze castings. They are intended for heavy-duty commercial use and fixtures secure by means of a wedge assembly. A 1/4-20 UNC brass grounding screw is included. Alternative anchor assemblies include p/n AS-100B (see spec sheet for SRS-908).

Additional Product Numbers: N/A

Shipping Weight: 125 lbs (56.7kg)

Specification Number:	SRS-103		S.R. Smith, LLC P.O. Box 400, 1017 SW Berg Parkway Canby, Oregon 97013 Tel: (888) 677-7776 (503) 266-2231 Fax: (503) 266-4334 www.srsmith.com
Product Description:	Institutional Lifeguard Stand		
S.R. Smith Part Number:	ILGS-205		
Revision:	A	Date: 05/08/03	
Written By:	T. Weil	Date: 05/08/03	
Approved By:	B. Bisceglia	Date: 05/08/03	
Page 2 of 2	Proprietary and confidential: The information contained in this specification is the sole property of S.R. Smith LLC. Any reproduction in part or whole without the written consent of S.R. Smith LLC is prohibited.		