

SRSmith®



LIFEGUARD CHAIRS

OFFICIAL
POOL
EQUIPMENT
SUPPLIER



Lifeguard Chairs

CONTENTS

Overview 2
 Chairs 4

DESIGNED FOR SAFETY

S.R.Smith® offers a wide range of lifeguard stands, from traditional models to the Sentry® series, which features a stylish, outdoor furniture look. Portable and fixed models are available in a variety of heights and rotation ability. Each S.R.Smith lifeguard stand is designed to meet the logistical and safety needs of facilities from small hotel pools to large aquatic facilities.

COMPLIANCE MATTERS

The Occupational Health and Safety Administration (OSHA) has outlined minimum requirements for lifeguard chairs in public pools. To comply with OSHA, a lifeguard stand must have rails to protect against falls and sufficient room to ascend and descend from the chair.

SPECIFYING MADE EASY

S.R.Smith lifeguard chairs are easy to add to proposals, with downloadable specifications and CAD available on our website.

S.R.SMITH LIFEGUARD CHAIRS AT A GLANCE

Product	Style	Frame Material	Rotation	Seat Height	Umbrella Holder	Platform Dimensions
SENTRY	PORTABLE	HDPE*	Fixed	30", 42" & 66"	Yes	N/A
VISTA	PORTABLE	304 SS	360°	6' & 8'	Yes	30" X 42"
PLS	PORTABLE	304 SS	45°	6'	Yes	18" X 42"
LOW PROFILE	PORTABLE	304 SS	360°	30", 42" & 54"	Yes	38" X 42"
OUTLOOK I & II	ANCHORED	304 SS	360°	5' & 6'	Yes	30" X 42"
INSTITUTIONAL	ANCHORED	304 SS	360°	6'	Yes	18" X 42"

*High-Density Polyethylene



LIFEGUARD

STAIRS

Sentry® Lifeguard Chairs



Sentry® 30", 42", and 66" seat height lifeguard chairs

Designed to complement any aquatic environment, Sentry® Lifeguard Chairs provide an elegant look that will stand the test of time.

- Outdoor furniture style and appeal
- Constructed from HDPE for strength and low maintenance
- Marine-grade, 316 stainless-steel hardware
- Textured treads for slip resistant surface
- Wheel kits available to facilitate transport
- 30" chair comes with brackets for anchoring to pool deck
- 42" & 66" chairs are pre-drilled for concrete anchors*
- 66" chair available with additional center support for high wind environments
- Cup & umbrella holders on all chairs
- UPS shippable

*Anchors only included with SLGC-66



30" Chair Wheel Kit



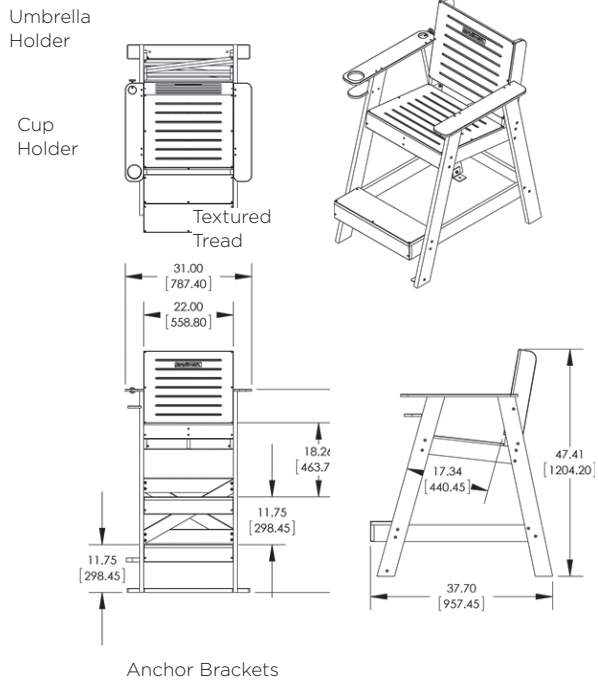
42" & 66" Chair Wheel Kit

Part No.	Description	Shipping — Class 70			
		Weight	Length	Width	Height
SLGC-30	30" Sentry Lifeguard Chair	67 lbs	45"	19"	3"
SLGC-42	42" Sentry Lifeguard Chair	95 lbs	54"	19"	4"
SLGC-66	66" Sentry Lifeguard Chair	95 lbs	54"	19"	4"
		70 lbs	78"	14"	3"
SLGC-66-S	66" Sentry Lifeguard Chair with center supports	110 lbs	54"	19"	4"
		70 lbs	78"	14"	3"

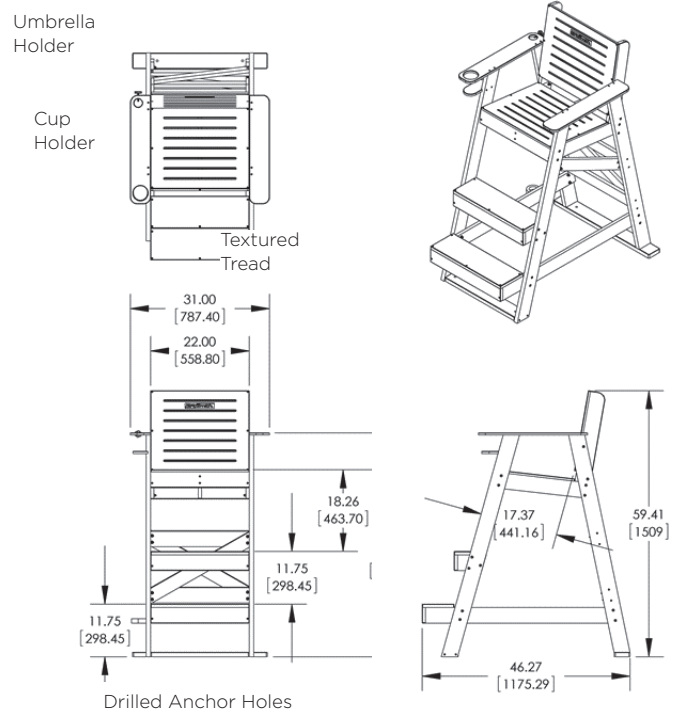
REPLACEMENT PARTS

Part No.	Description
13-501	30" chair anchor brackets (included)
13-502	30" wheel kit
13-503	42" & 66" wheel kit
13-504	Life Ring Hook
13-505	Concrete anchors for 42" & 66" chairs
13-530	Hardware replacement kit for 30" chair
13-542	Hardware replacement kit for 42" chair
13-566	Hardware replacement kit for 66" chair

30" SENTRY LIFEGUARD CHAIR

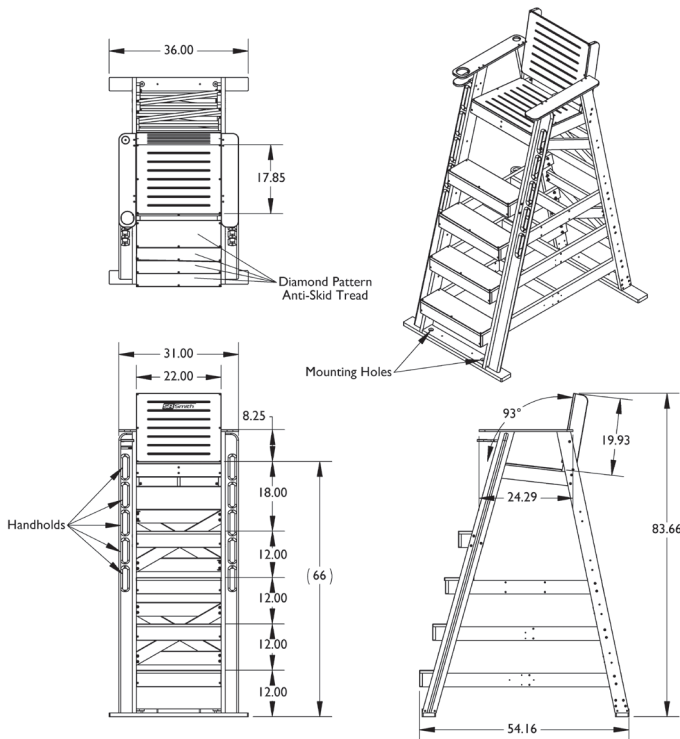


42" SENTRY LIFEGUARD CHAIR

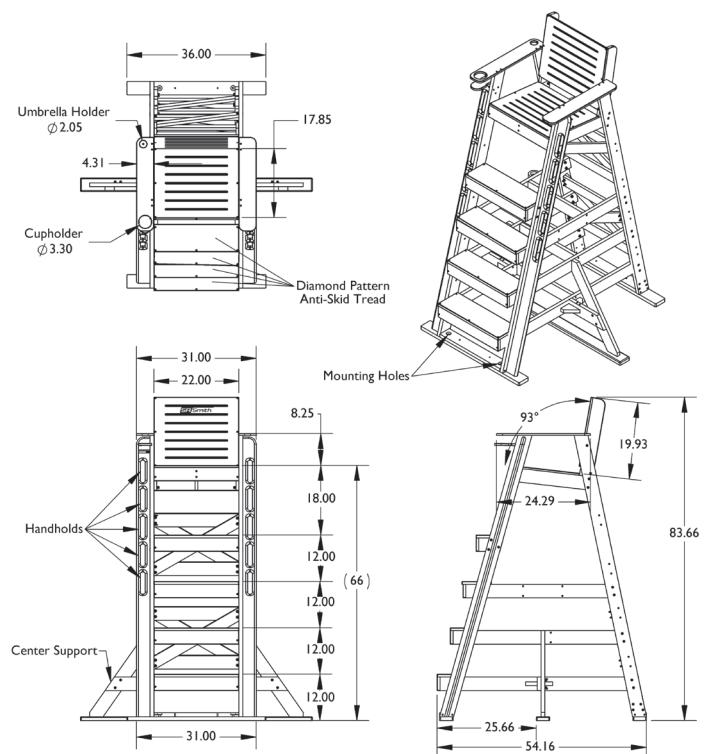


ALL MEASUREMENTS SHOWN IN INCHES

66" SENTRY LIFEGUARD CHAIR



66" SENTRY LIFEGUARD CHAIR W/ CENTER SUPPORTS



ALL MEASUREMENTS SHOWN IN INCHES

Portable Lifeguard Chair (PLS)



- 6' tall at the seat
- Portable unit features two wheels for the flexibility to move your lifeguard stations as needed
- Seat swivels 45°
- Observation platform features a non-slip, white, sanded tread
- Handrails and seat post are 304 stainless steel
- Stainless steel for added corrosion resistance

Shipping (3 boxes) — Class 125					
Part No.	Description	Weight	Length	Width	Height
PLS-204	Standard Portable	157 lbs	80"/203cm	62.5"/160cm	7"/18cm
		71kg	26"/66cm	20"/51cm	11"/28cm
			25"/64cm	20"/51cm	9"/23cm

316L polished stainless steel is available.

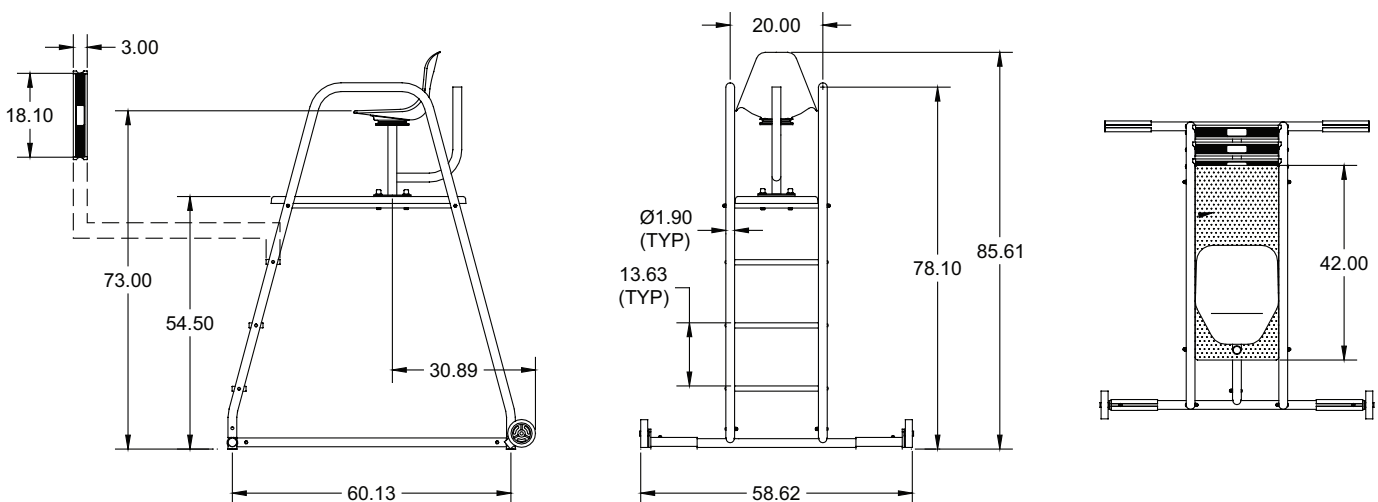
TREAD COLOR



BLACK & STAINLESS STEEL

REPLACEMENT PARTS

Part No.	Description
8-705	Footboard (18" x 42")
13-109	Seat Post + Umbrella Holder
13-111	Seat + Swivel
13-100	Seat Only
A40703-0	Swivel Only
LTDF-105-R	Ladder Tread
FC-100A-R	White Stabilizer Leg Cover
20-107-R	Wheel Assembly Kit
13-130	Hardware Pack
8-104-R	Plastic End Caps



Low Profile Lifeguard Chair



- Available in 30", 42", or 54" seat heights
- Portable unit features two wheels for the flexibility to move your lifeguard stations as needed
- Seat swivels 360° for a full view of the facility
- Footboard features a non-slip, white, sanded tread
- Handrails and seat post are 304 stainless steel
- Stainless steel for added corrosion resistance

TREAD COLOR



WHITE

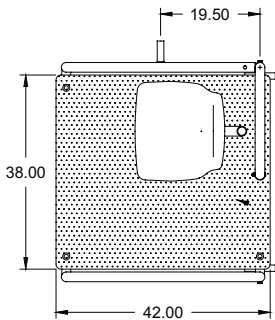
Shipping (3 boxes) — Class 125					
Part No.	Description	Weight	Length	Width	Height
LPLS-330	30" Low Profile	150 lbs 68kg	26"/66cm	20"/51cm	11"/28cm
			25"/64cm	20"/51cm	9"/23cm
			60"/152cm	79"/201cm	8"/20cm
LPSL-342	42" Low Profile	155 lbs 70kg	26"/66cm	20"/51cm	11"/28cm
			25"/64cm	20"/51cm	9"/23cm
			60"/152cm	79"/201cm	8"/20cm
LPLS-354	54" Low Profile	160 lbs 72kg	26"/66cm	20"/51cm	11"/28cm
			25"/64cm	20"/51cm	9"/23cm
			60"/152cm	79"/201cm	8"/20cm

Rescue tube not included.

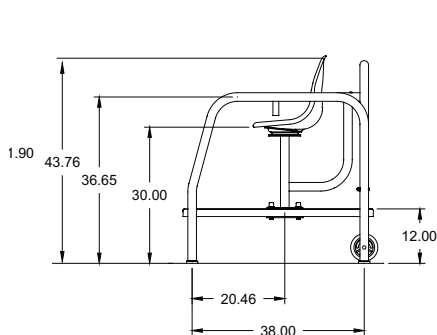
REPLACEMENT PARTS

Part No.	Description
8-710	Footboard (38" x 42")
13-109	Seat Post + Umbrella Holder
13-111	Seat + Swivel
13-100	Seat Only
A40703-0	Swivel Only
LTDF-103-R	Ladder Tread
20-107-R	Wheel Assembly Kit
13-139	Hardware Pack (For 30" Chair)
13-140	Hardware Pack (For 42" Chair)
13-145	Hardware Pack (For 54" Chair)

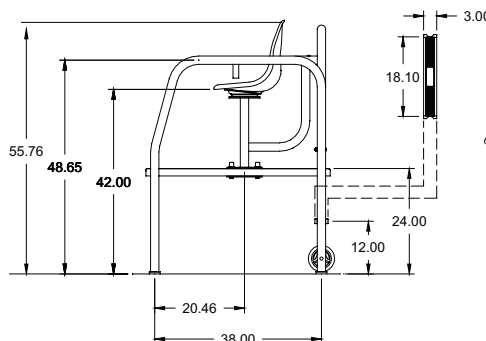
TOP VIEW, ALL MODELS



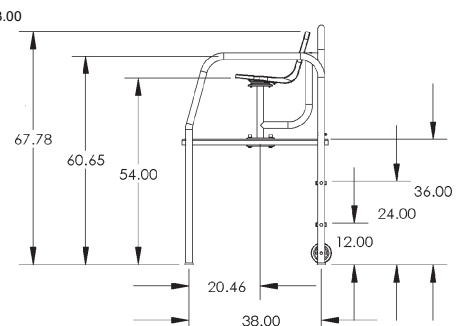
30" LOW PROFILE



42" LOW PROFILE



54" LOW PROFILE





Vista Lifeguard Chair



- Available in 6' or 8' seat heights
- Portable unit features two wheels for the flexibility to move your lifeguard stations as needed
- Seat swivels 360° for a full view of your facility
- Observation platform features a non-slip, white, sanded tread
- Handrails and seat post are 304 stainless steel
- Stainless steel for added corrosion resistance

Shipping — Class 250

Part No.	Description	Weight	Length	Width	Height
US48500	6' Vista	206 lbs/93kg	90"/229cm	83"/211cm	16"/41cm
US48550	8' Vista	250 lbs/113kg	116"/295cm	83"/211cm	16"/41cm

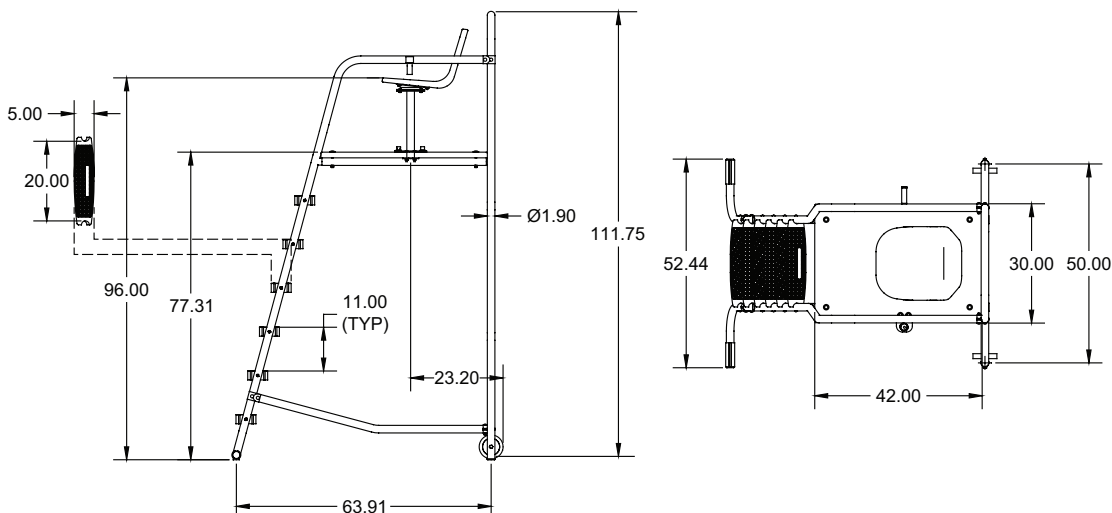
TREAD COLOR



WHITE

REPLACEMENT PARTS

Part No.	Description
8-612	Footboard (30" x 42")
13-117	Seat Post
13-111	Seat + Swivel
13-100	Seat Only
A40703-0	Swivel Only
S2470-102	Umbrella Holder
FC-100A-R	White Stabilizer Leg Cover
20-107-R	Wheel Assembly Kit
69-209-106	Hardware Pack (6' Vista)
69-209-109	Hardware Pack (8' Vista)



Institutional Lifeguard Chair



- 6' tall at the seat
- Permanent unit also makes an ideal coaching or judging stand
- Seat swivels 360° so you can quickly scan entire pool and deck
- Extended observation platform features a non-slip sanded tread
- Handrails and seat post are 304 stainless steel
- Stainless steel for added durability and corrosion resistance

Shipping (3 boxes) — Class 70					
Part No.	Description	Weight	Length	Width	Height
ILGS-205	6' Institutional	150 lbs	84"/213cm	25"/64cm	8"/20cm
		68kg	25"/64cm	20"/51cm	11"/28cm
			24"/61cm	20"/51cm	11"/28cm

Anchor sockets and escutcheons are ordered separately.

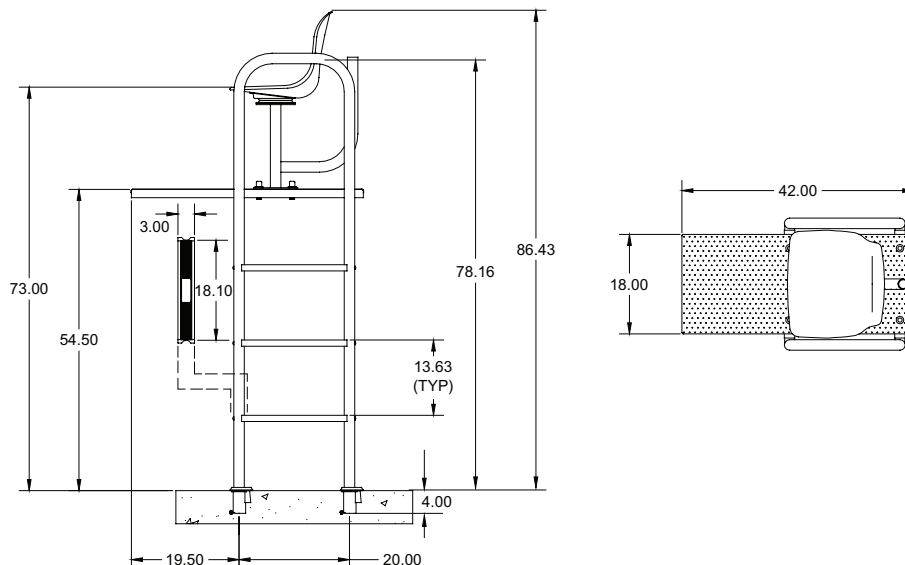
REPLACEMENT PARTS

Part No.	Description
8-720	Footboard (18" x 42")
13-109	Seat Post + Umbrella Holder
13-111	Seat + Swivel
13-100	Seat Only
A40703-0	Swivel only
LTDF-103-R	Ladder Tread
13-120	Hardware Pack
AS-100B	Anchor Assembly

TREAD COLOR



BLACK & STAINLESS STEEL



Outlook I & II Lifeguard Chairs



Outlook I
Lifeguard
Chair



Outlook II
Lifeguard
Chair

- Outlook I is 6' tall at the seat, Outlook II is 5' tall at the seat
- Permanent units feature a slim design that require minimal deck space
- Seats swivel 360° for full view of entire pool and deck
- Extended observation platforms feature a non-slip, white, sanded tread
- Handrails and seat post are 304 stainless steel
- Stainless-steel bases are powder-coated in silver gray for corrosion resistance

Shipping (2 boxes) — Class 125					
Part No.	Description	Weight	Length	Width	Height
US48500	6' Outlook I	171 lbs 78kg	91"/231cm 10"/25cm	35"/89cm 10"/25cm	11.5"/29cm 8"/20cm
US48550	5' Outlook II	156 lbs 71kg	91"/231cm 10"/25cm	35"/89cm 10"/25cm	11.5"/29cm 8"/20cm

FRAME COLOR



SILVER GRAY

TREAD COLOR



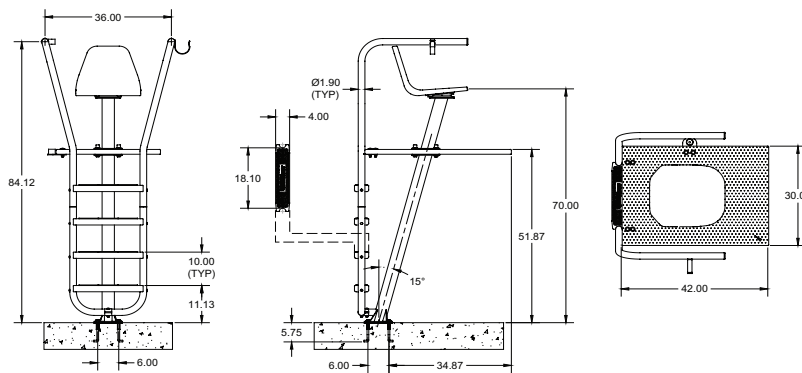
WHITE

REPLACEMENT PARTS

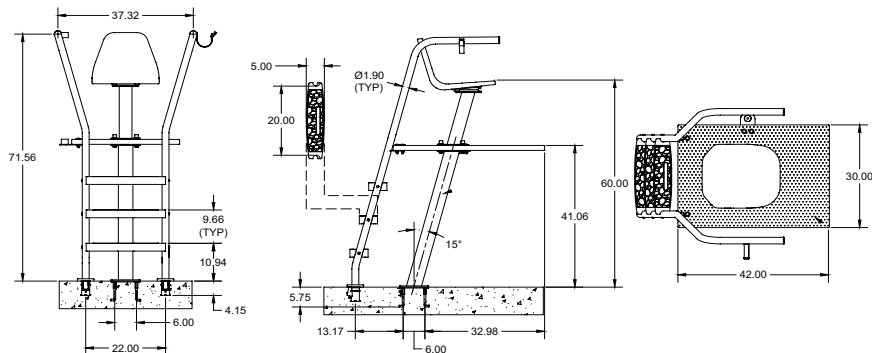
Part No.	Description
8-613	Footboard (30" x 42" Outlook I)
8-614	Footboard (30" x 42" Outlook II)
13-118-SG	Seat Post
13-111	Seat + Swivel
13-100	Seat Only
20-116	Umbrella Holder
A40703-0	Swivel Only
LTDF-111	Ladder Tread (Outlook I)

Part No.	Description
S2470-102	Ladder Tread + Hardware (Outlook II)
27-102-R	Anchor Assembly (Outlook I)
27-103-R	Anchor Assembly (Outlook II)
69-209-107	Hardware Pack (Outlook I)
69-209-108	Hardware Pack (Outlook II)
8-104-R	Rail End Caps (Black Plastic)
74-185-186NH	22"x22" Platform (no holes)

OUTLOOK I LIFEGUARD CHAIR



OUTLOOK II LIFEGUARD CHAIR





Pool **Better**[™]

A Fluidra Brand | SRSmith.com | 1.800.822.7933

©2024 Fluidra. All rights reserved. The trademarks and trade names used herein are the property of their respective owners. 98862_SL

