



POOL SLIDES

OFFICIAL
POOL
EQUIPMENT
SUPPLIER





POOL SLIDES

CONTENTS

Overview	4
Removable Deck Slide.....	6
Deck Mounted Slides.....	8
Custom Slides	14

SLIDE INTO FUN

For hours of serious sliding fun, look to S.R.Smith®. Manufactured from high-quality corrosion-resistant material, S.R.Smith pool slides are engineered to deliver serious fun, season after season! From the towering Vortex® with its 19' corkscrew runway, to the removable SlideAway with its big personality, we have a slide that will transform your swimming pool into a favorite destination for kids of all ages.

LET IT FLOW

S.R.Smith pool slides, with integrated water delivery systems, offer high-volume water fun for a slippery, sloshy ride. The 360 degree heliX2® slide has a proprietary water fountain feature positioned at the top of the slide that provides splashing good fun from top to bottom!

SALT POOL FRIENDLY

We know pool builders and consumers alike enjoy the benefits of salt chlorinator systems — that's why we've designed a line of products that perform well in salt pool environments. Our Salt Pool Friendly icon is your visual assurance that the most durable and salt friendly materials have been used in manufacturing.



Adult supervision required at all times when children are using a pool slide.

POOL SLIDE SAFETY

All S.R.Smith Swimming Pool Slides are independently tested and verified to be fully CPSC compliant.

PROTECT YOUR BUSINESS: INSTALL CPSC COMPLIANT SLIDES

Protect your livelihood and ensure your customer's safety. Install slides that fully comply with the U.S. Consumer Product Safety Commission's (CPSC) Safety Standard for Swimming Pool Slides (16 CFR Part 1207). The CPSC is an independent government regulatory agency that exists to protect the public from risk of injury and death associated with consumer products. For more information, visit cpsc.gov.

CPSC STANDARD FOR SWIMMING POOL SLIDES 16 CFR PART 1207

The CPSC Standard requires passing 48 unique performance tests and outlines requirements concerning manufacturing construction and materials. The CPSC also makes recommendations regarding handling, storage, marking and installation. Swimming pool slides must meet all applicable standard requirements to fully comply.



CPSC TESTING

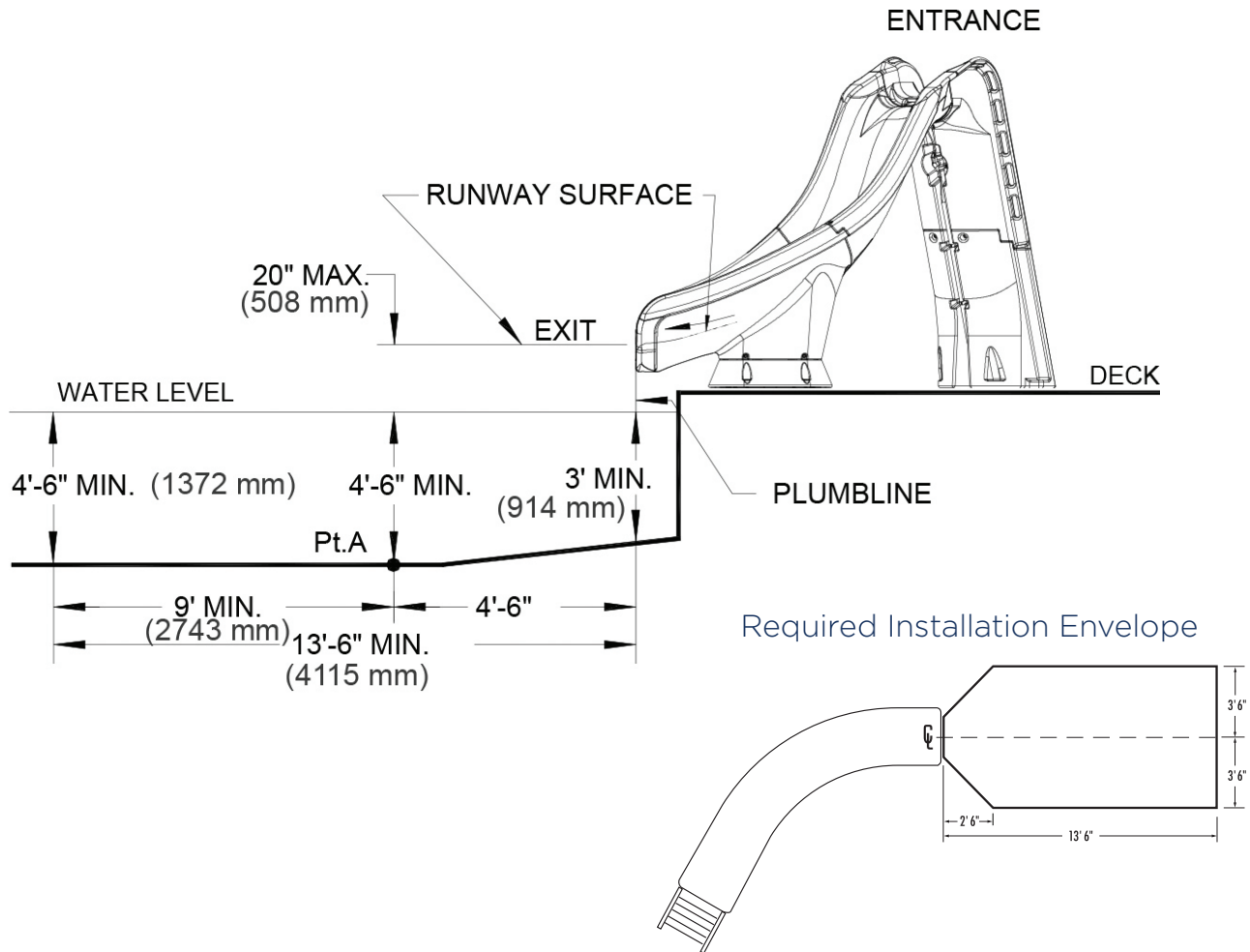
Sample Test RUNWAY EQUILIBRIUM
The slide trajectory is recorded by a marker that is attached to a weighted block released from the top of the slide. This tests for a consistent slide path exit.

Sample Test DYNAMIC LOAD TEST
A 350 lb load is applied and the slide may not show signs of stress, and no visible deformation may occur.

Sample Test WATER ENTRY
The path of the potential slider is digitally recorded by high-speed video cameras. The data is analyzed to ensure the slider does not enter the water at an angle that is likely to cause impact with the bottom of the pool.

WATER ENTRY

For more information on the standard, visit http://www.access.gpo.gov/nara/cfr/waisidx_04/16cfr1207_04.html
To view S.R.Smith compliance documents, visit SRSmith.com/Safety



Slide Placement Guidelines

(Removable and Deck Mounted Slides)

The pool industry association has provided these guidelines for slide placement. Our slides can be mounted directly to the deck making retrofit applications easy (check with your inspector for local codes and guidelines). From the top of the ladder, a flume that curves down to the left is a left curve slide, and a flume that curves down to the right is a right curve slide.



Assemble the ladder and top section of the slide.

Assemble. Install. Slide.

See how simple it is to assemble and install all of our deck mounted pool slides with our installation videos. Go to SRSmith.com or visit the S.R.Smith YouTube™ channel.

Please note the installation of this product should be done only by a licensed and professional installer. Installation should be done strictly in conformance with all local building codes, electrical codes and other building and all safety laws and regulations.



Slide Away®

The Safe Removable Pool Slide

Introducing SlideAway, the safe removable in-ground pool slide from S.R.Smith®. SlideAway combines safety, fun and durability in a slide that can be easily set up and removed from the deck in just minutes. SlideAway is the first fully CPSC compliant pool slide that doesn't have to be permanently affixed to the pool deck.

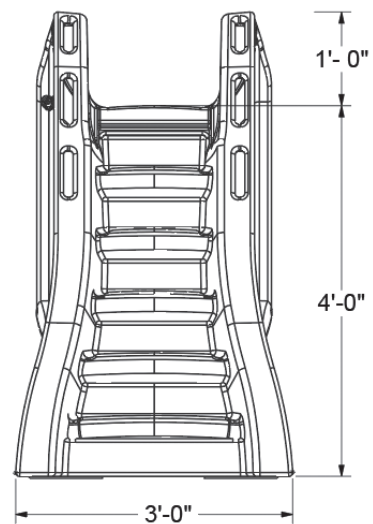
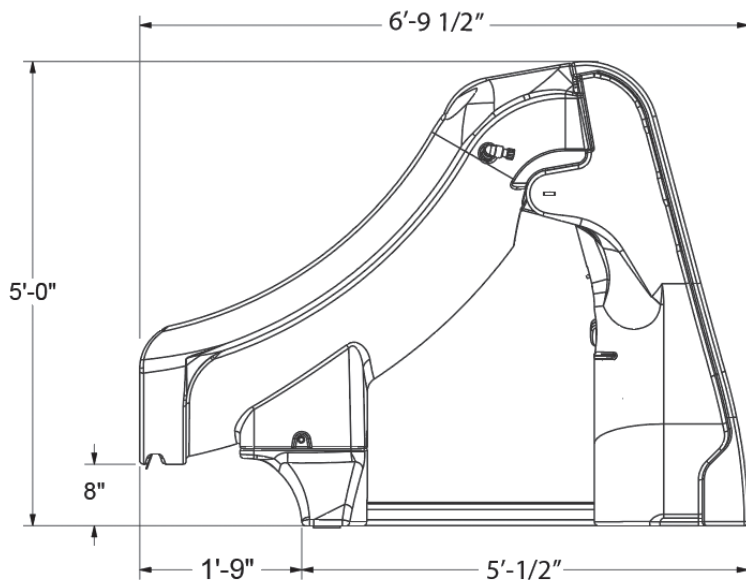
Designed to resist fading, SlideAway is salt pool friendly and comes in colors that will complement any outdoor living space. SlideAway is ideal for children up to 125 lbs. and will provide hours of splashing fun!



SlideAway®

REMOVABLE POOL SLIDE

- First CPSC compliant removable and portable pool slide, meeting federal safety standards for 48 individual tests
- Available in colors to complement the pool and patio areas (Taupe and Gray)
- Comes partially assembled and includes an easy-to-use dolly to roll SlideAway on and off the pool deck
- 3' x 6'7" deck space required
- Easy to set up and store away in shed or garage
- Fully rotomolded construction provides strength and durability for years to come
- Enclosed, textured steps and integrated handholds for added safety
- Designed for children up to 125 lbs/57 kg
- Salt pool friendly
- Built-in UV inhibitors to resist fading
- Intended for in-ground residential swimming pools only



Part No.	Description
SHIPPING	155 lbs - 39"L x 54"W x 89"H 70 kg - 99cm x 137cm x 226cm
660-209-5810	SlideAway Removable Pool Slide - Taupe
660-209-5820	SlideAway Removable Pool Slide - Gray

Rogue²

DECK MOUNTED POOL SLIDE



A retro look with a thoroughly modern, rotomolded flume makes this the new standard for backyard fun.

- Available in right or left curved flume
- Accommodates sliders up to 250 lbs/113kg
- Wide flume with high walls
- Designed for quick, easy assembly
- Improved high-volume water delivery system can be plumbed through the pool's return line or connected to a garden hose
- Can be surface or in-deck mounted to accommodate any pool
- Flanges are included with the slide kit
- Intended for in-ground residential swimming pools only

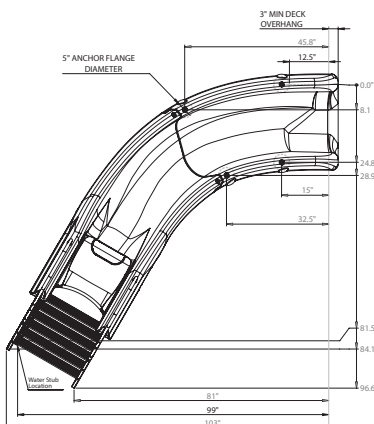
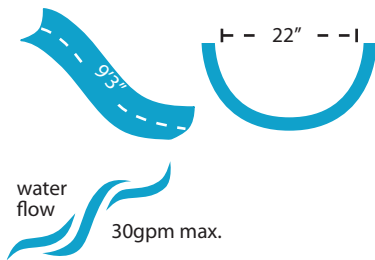
Slide Color



Due to printing technology, actual color may differ.

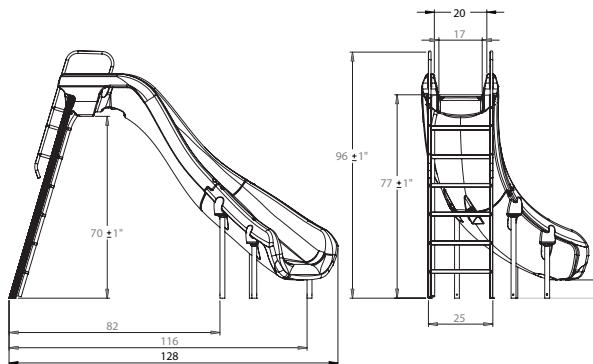
Part No.	Description
SHIPPING CLASS 300	190 lbs - 41"L x 36"W x 92"H 91 kg - 104cm x 91cm x 234cm
610-209-5812	White, Right Curve
610-209-5822	White, Left Curve
610-209-58110	Taupe, Right Curve
610-209-58210	Taupe, Left Curve
610-209-5813	Blue, Right Curve
610-209-5823	Blue, Left Curve
610-209-58120	Gray, Right Curve
610-209-58220	Gray, Left Curve

Flume Details



PARTS & ACCESSORIES

- 75-209-5866 Aluminum Flange Anchor Kit
- 75-209-5865 Plastic Deck-Mounted Anchor Flange Kit



All S.R.Smith, LLC swimming pool slides fully comply with Consumer Products Safety Commission (CPSC) mandatory safety Standard for Swimming Pool Slides (16 CFR 1207) and are certified by independent third party testing labs. The installer or end-user is responsible for complying with local building codes for the location, installation, construction or assembly of these slides. S.R.Smith, LLC makes no representations that the location, installation, construction or assembly of its slides meet local building codes.

helix2®

DECK MOUNTED POOL SLIDE



A new generation of S.R.Smith's popular pool slide.

- Deeper 360° corkscrew flume for fast and safe sliding
- Proprietary water feature delivery system for a dramatic fountain feature
- 7'4" in height (6'5 1/2" to seat)
- Accommodates sliders up to 250 lbs/113kg
- Sturdy rotomolded construction - for strength and durability
- Enclosed ladder and molded handrail design for maximum safety
- Designed for quick and easy assembly with simple deck mounted installation
- Water delivery system can be plumbed through the pool's return line or connected to a garden hose
- Intended for in-ground residential swimming pools only

Slide Color



GRAY



GRAY GRANITE



TAUPE



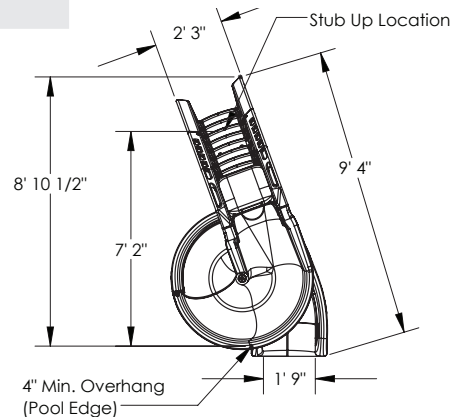
SANDSTONE

Due to printing technology, actual color may differ.

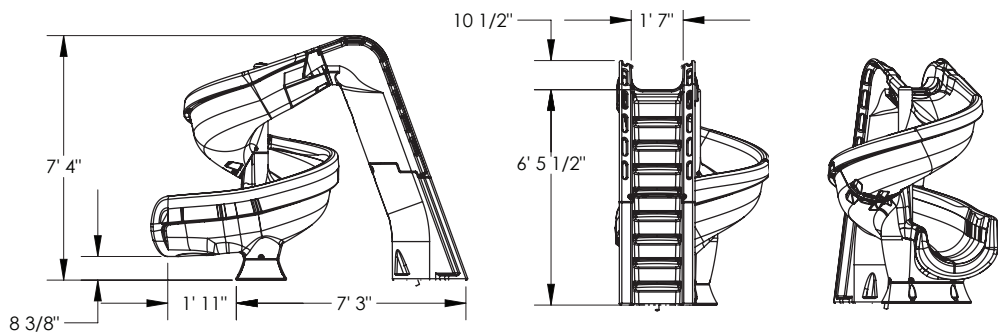


Part No.	Description
SHIPPING CLASS 300	390 lbs - 66"L x 88"W x 48"H 177 kg - 167cm x 223cm x 122cm
640-209-58124	Gray Granite*
640-209-58123	Sandstone*
640-209-58120	Solid Gray
640-209-58110	Solid Taupe

*Gray Granite and Sandstone slides are not an exact match with Gray Granite or Sandstone diving boards & stands due to differences in material. Please consult your sales representative for more details.



Flume Details



All S.R.Smith, LLC swimming pool slides fully comply with Consumer Products Safety Commission (CPSC) mandatory safety Standard for Swimming Pool Slides (16 CFR 1207) and are certified by independent third party testing labs. The installer or end-user is responsible for complying with local building codes for the location, installation, construction or assembly of these slides. S.R.Smith, LLC makes no representations that the location, installation, construction or assembly of its slides meet local building codes.

Turbo Twister®

DECK MOUNTED POOL SLIDE



This thrill-ride pool slide is designed with curves and dips that guarantee hours of fun for the entire family.

- 8'7" in height (7'1 5/8" to seat)
- Available with a right or left curved flume
- Accommodates sliders up to 275 lbs/124kg
- Sturdy rotomolded construction for strength and durability
- Enclosed ladder and molded handrail design for maximum safety
- Designed for quick and easy assembly
- 25 gpm max. water delivery system can be plumbed through the pool's return line or connected to a garden hose
- Simple deck mounted installation
- Intended for in-ground residential swimming pools only

Slide Color



GRAY GRANITE



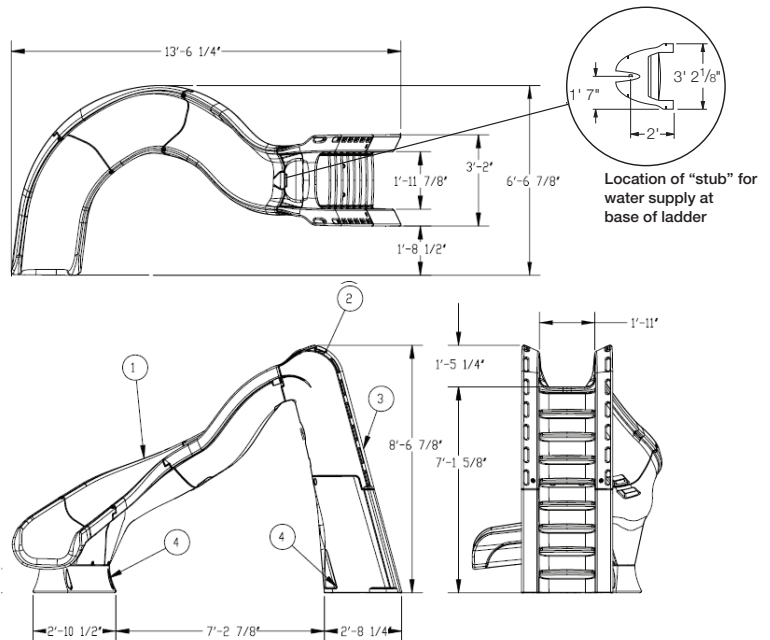
SANDSTONE

Due to printing technology, actual color may differ.



Part No.	Description
SHIPPING	140 lbs - 61"L x 40"W x 29"H
2 CARTONS	63 kg - 154cm x 102cm x 74cm
1 PALLET	257 lbs - 61"L x 40"W x 70"H
CLASS 300	116 kg - 154cm x 102cm x 178cm
688-209-58123	Sandstone*, Right Curve
688-209-58223	Sandstone*, Left Curve
688-209-58124	Gray Granite*, Right Curve
688-209-58224	Gray Granite*, Right Curve

*Gray Granite and Sandstone slides are not an exact match with Gray Granite or Sandstone diving boards & stands due to differences in material. Please consult your sales representative for more details.



Flume Details



All S.R.Smith, LLC swimming pool slides fully comply with Consumer Products Safety Commission (CPSC) mandatory safety Standard for Swimming Pool Slides (16 CFR 1207) and are certified by independent third party testing labs. The installer or end-user is responsible for complying with local building codes for the location, installation, construction or assembly of these slides. S.R.Smith, LLC makes no representations that the location, installation, construction or assembly of its slides meet local building codes.



Typhoon[®]

DECK MOUNTED POOL SLIDE

Offers all the fun of its big brother, the TurboTwister, yet in a smaller package for more limited deck space.

- 7'4" in height (6'5 1/2" to seat)
- Available with a right or left curved flume
- Accommodates sliders up to 275 lbs/124kg
- Sturdy rotomolded construction for strength and durability
- Enclosed ladder and molded handrail design for maximum safety
- Designed for quick and easy assembly
- 20 gpm max. water delivery system can be plumbed through the pool's return line or connected to a garden hose
- Simple deck mounted installation
- Intended for in-ground residential swimming pools only

Slide Color



GRAY GRANITE



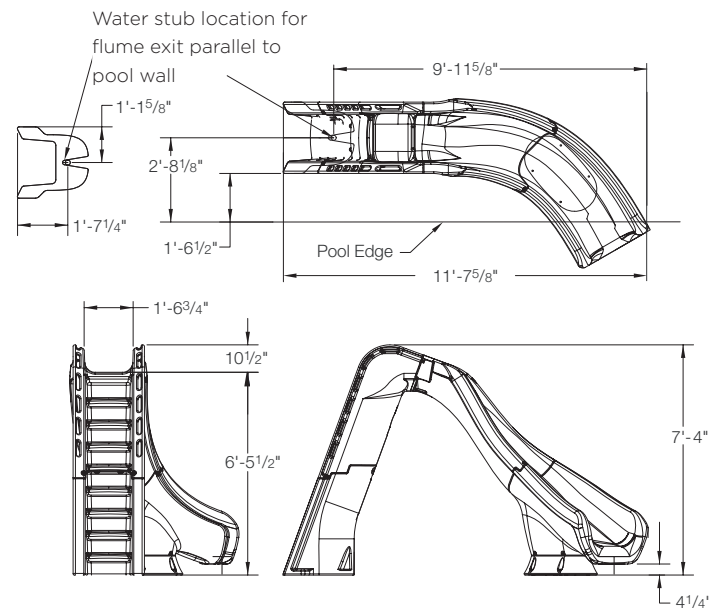
SANDSTONE

Due to printing technology, actual color may differ.

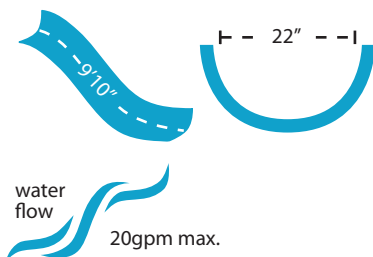


Part No.	Description
SHIPPING CLASS 300	270 lbs - 56"L x 31"W x 92"H 123 kg - 142cm x 79cm x 234cm
670-209-58123	Sandstone*, Right Curve
670-209-58223	Sandstone*, Left Curve
670-209-58124	Gray Granite*, Right Curve
670-209-58224	Gray Granite*, Right Curve

*Gray Granite and Sandstone slides are not an exact match with Gray Granite or Sandstone diving boards & stands due to differences in material. Please consult your sales representative for more details.



Flume Details



All S.R.Smith, LLC swimming pool slides fully comply with Consumer Products Safety Commission (CPSC) mandatory safety Standard for Swimming Pool Slides (16 CFR 1207) and are certified by independent third party testing labs. The installer or end-user is responsible for complying with local building codes for the location, installation, construction or assembly of these slides. S.R.Smith, LLC makes no representations that the location, installation, construction or assembly of its slides meet local building codes.



Cyclone

DECK MOUNTED POOL SLIDE

Compact style ideal for limited deck space and smaller pool enthusiasts.

- 4'1" in height (3'2" to seat)
- Available with a right curve flume only
- Accommodates sliders up to 175 lbs/79kg
- Sturdy rotomolded construction for strength and durability
- Enclosed ladder design for maximum safety
- Designed for quick and easy assembly
- Water delivery system connects to a garden hose
- Simple deck mounted installation
- Intended for in-ground residential swimming pools only

Slide Color



TAUPE



GRAY GRANITE

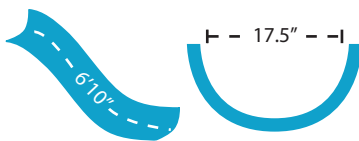


SANDSTONE

Due to printing technology, actual color may differ.

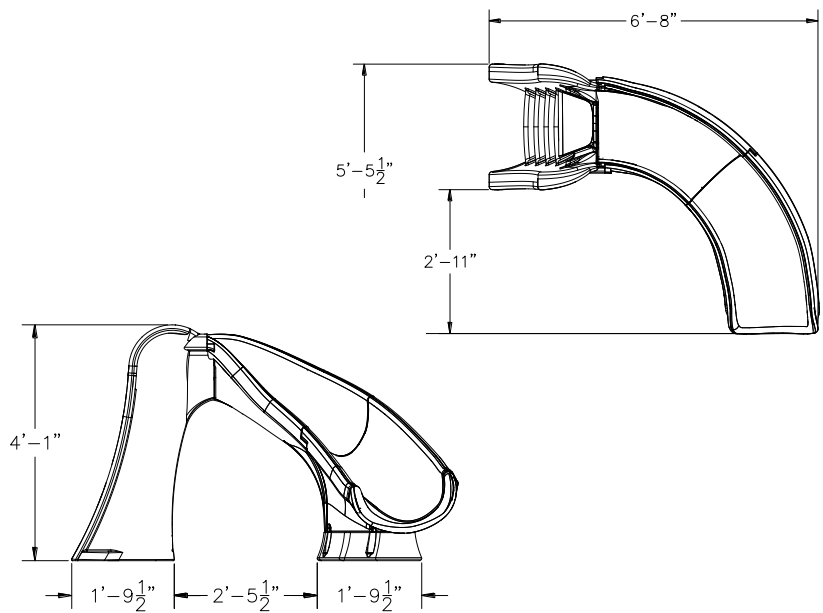


Flume Details



Part No.	Description
SHIPPING CLASS 300	150 lbs - 41"L x 31"W x 56"H 123 kg - 68cm x 79cm x 142cm
698-209-58123	Sandstone*, Right Curve
698-209-58124	Gray Granite*, Right Curve
698-209-58110	Taupe, Right Curve

*Gray Granite and Sandstone slides are not an exact match with Gray Granite or Sandstone diving boards & stands due to differences in material. Please consult your sales representative for more details.



All S.R.Smith, LLC swimming pool slides fully comply with Consumer Products Safety Commission (CPSC) mandatory safety Standard for Swimming Pool Slides (16 CFR 1207) and are certified by independent third party testing labs. The installer or end-user is responsible for complying with local building codes for the location, installation, construction or assembly of these slides. S.R.Smith, LLC makes no representations that the location, installation, construction or assembly of its slides meet local building codes.



Vortex®

DECK MOUNTED POOL SLIDE

Big time, fun slide!

- 10'7" in height (7'6" to seat)
- 19' corkscrew runway
- Available with ladder or spiral staircase
- Accommodates sliders up to 325 lbs/147kg
- Sturdy rotomolded construction for strength and durability
- 30 gpm max. water delivery system can be plumbed through the pool's return line
- Intended for in-ground swimming pools only



Part No.	Description	Weight
SHIPPING	128"L x 57"W x 72"H	
2 PALLETS	325cm x 145cm x 183cm	
CLASS 300	150"L x 39"W x 48"H	
	381cm x 99cm x 122cm	
695-209-13	Blue, Open flume with ladder	1350 lbs
695-209-124	Gray Granite, Open flume with ladder	612 kg
695-209-23	Blue, Closed flume with ladder	1500 lbs
695-209-224	Gray Granite, Closed flume with ladder	680 kg
695-209-33	Blue, Open flume with staircase	1710 lbs
695-209-324	Gray Granite, Open flume with staircase	776 kg
695-209-43	Blue, Closed flume with staircase	1860 lbs
695-209-424	Gray Granite, Closed flume with staircase	844 kg

*Gray Granite and Blue slides are not an exact match with Gray Granite or Sandstone diving boards & stands due to differences in material. Please consult your sales representative for more details.

Slide Color



BLUE



GRAY GRANITE

Due to printing technology, actual color may differ.

Parts & Accessories

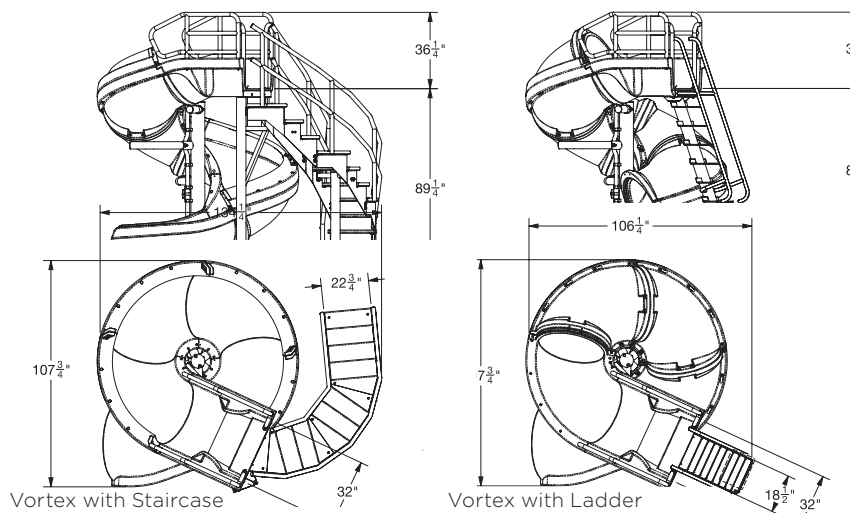
- 14-400 Warning Sign and Rules Sign

Flume Details



water flow

30gpm max.



All S.R.Smith, LLC swimming pool slides fully comply with Consumer Products Safety Commission (CPSC) mandatory safety Standard for Swimming Pool Slides (16 CFR 1207) and are certified by independent third party testing labs. The installer or end-user is responsible for complying with local building codes for the location, installation, construction or assembly of these slides. S.R.Smith, LLC makes no representations that the location, installation, construction or assembly of its slides meet local building codes.



CREATE A UNIQUE BACKYARD RESORT

Give customers the pool of their dreams with a custom slide. Garden Ride, River Run and BYOS2 Slides are made using an advanced Resin Transfer Molding (RTM) process and coordinate with other RTM products. All pre-configured and unique custom slides are UV resistant, salt pool friendly and exceptionally strong and durable. For custom pool designs, provide your drawing to our technical experts and we'll work with you to make the vision a reality for your customer.

MINIMUM WEIGHT - MAXIMUM STRENGTH

Garden Ride, River Run and BYOS2 slides are made using a Resin Transfer Molding (RTM) process. RTM is an advanced manufacturing process that is used in a diverse range of applications from aerospace to automotive products. The RTM process creates a composite material that has a high strength to weight ratio – although lightweight, it is exceptionally strong and durable. RTM products offer a truly unique look that is salt pool friendly and UV resistant to protect colors from fading.





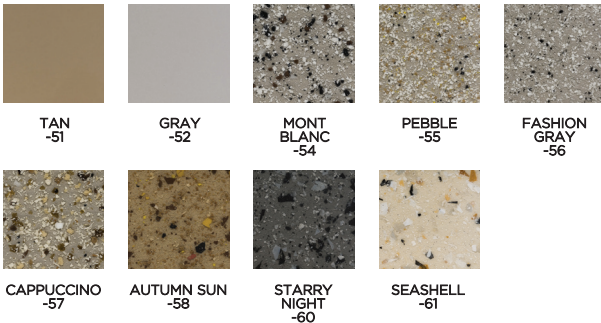
Build Your Own Slide (BYOS2™) Custom Slide

The Build Your Own Slide (BYOS2) provides easy, customized slide solutions to builders incorporating handcrafted rock work or water park-type designs into custom backyard settings. There are many colors and visual textures to choose from including many stunning granite colors that will blend well into any custom backyard design.

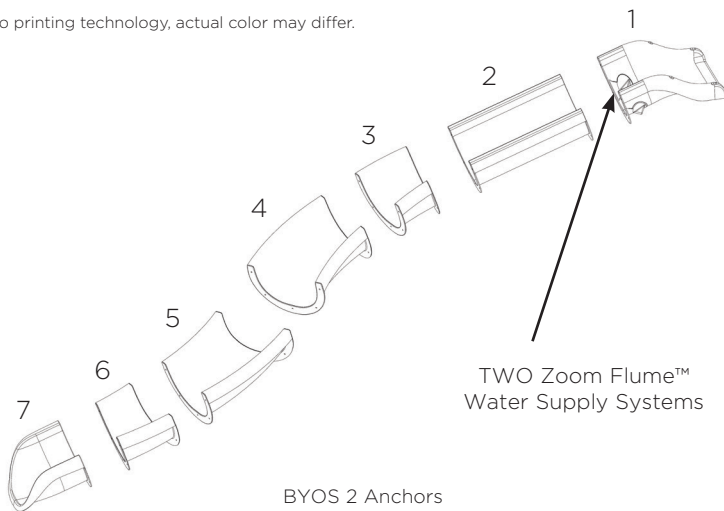
- Up to 7 available sections combine in endless configurations
- Residential use
- Design and configuration assistance
- Discreet zoom flume water delivery system with perfectly matching cover plate (40 - 80 gpm)
- Sleek, beautiful and durable
- 350 pound weight limit
- Stainless-steel hardware included
- Stainless-steel Construction Anchoring Systems included
- Available in assorted colors and visual textures
- Color matching products include: T7 Diving System, Destination Series In-Pool Furniture



Slide Color

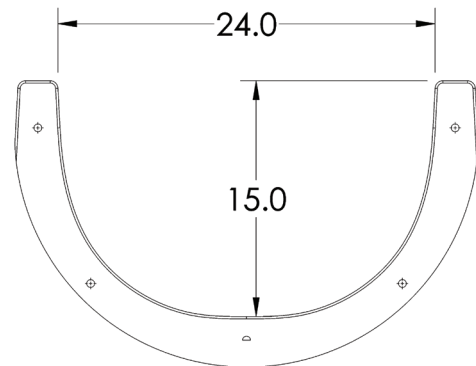


Due to printing technology, actual color may differ.



TWO Zoom Flume™
Water Supply Systems

BYOS 2 Anchors
Compatible with 18"
Sonotubes*



BYOS 2 Flume Dimensions

**SEND QUOTE REQUESTS TO
BYOSQUOTE@SRSMITH.COM**



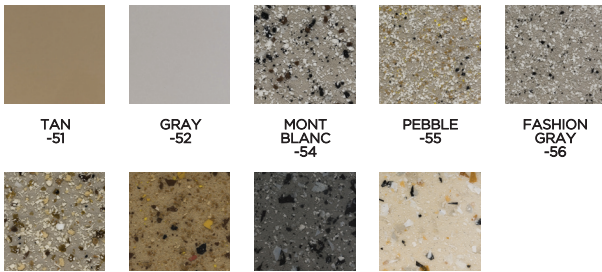
River Run Pre-Configured Custom Slides

River Run Slides are a collection of the most popular designs that have been custom configured through the Build Your Own Slide (BYOS2) custom landscape slide ordering process.

- Pre-Designed BYOS2™ slide kits
- Right and left turn slides
- Discreet zoom flume water delivery system with perfectly matching cover plate (20 - 40 gpm)
- 17', 19', 23', 24' & 29' length options
- 350 pound weight limit
- No quote process needed - easy to order
- Available in assorted colors and visual textures
- Color matching products include: T7 Diving System, Destination Series In-Pool Furniture



Slide Color

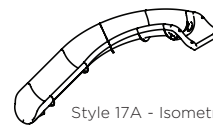
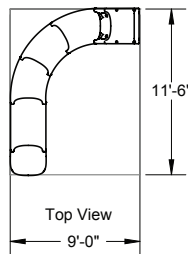
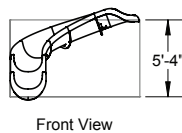


Due to printing technology, actual color may differ.

Part No.	Description
RRS17A-CL-XX	17' Left Curve, "A" Design
RRS17A-CR-XX	17' Right Curve, "A" Design
RRS19A-CL-XX	19' Left Curve, "A" Design
RRS19A-CR-XX	19' Right Curve, "A" Design
RRS19B-CL-XX	19' Left Curve, "B" Design
RRS19B-CR-XX	19' Right Curve, "B" Design
RRS23A-CL-XX	23' Left Curve, "A" Design
RRS23A-CR-XX	23' Right Curve, "A" Design
RRS24A-CL-XX	24' Left Curve, "A" Design
RRS24A-CR-XX	24' Right Curve, "A" Design
RRS24B-CL-XX	24' Left Curve, "B" Design
RRS24B-CR-XX	24' Right Curve, "B" Design
RRS29A-CL-XX	29' Left Curve, "A" Design
RRS29A-CR-XX	29' Right Curve, "A" Design

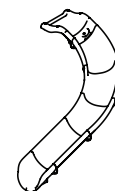
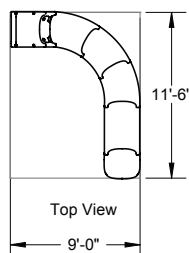
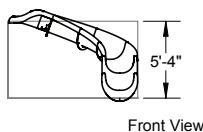
REPLACE THE XX IN THE PART NUMBERS TO INDICATE COLOR CODE WHEN ORDERING.

17 LINEAR FEET RIVER RUN
Style 17A - Left Turn Shown



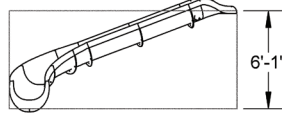
Style 17A - Isometric View
4 BYOS 2 Anchors Supplied

17 LINEAR FEET RIVER RUN
Style 17B - Left Turn Shown

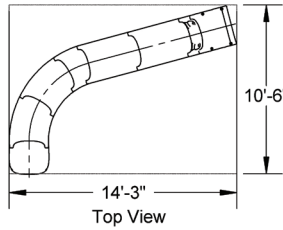


Style 17B - Isometric View
4 BYOS 2 Anchors Supplied

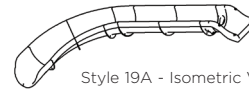
19 LINEAR FEET RIVER RUN
Style 19A - Left Turn Shown



Front View



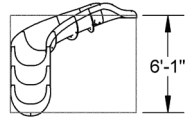
Top View



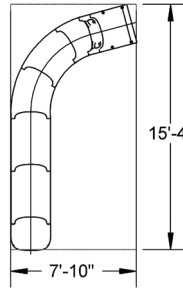
Style 19A - Isometric View

4 BYOS 2 Anchors Supplied

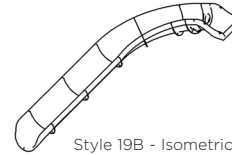
19 LINEAR FEET RIVER RUN
Style 19B - Left Turn Shown



Front View



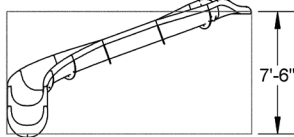
Top View



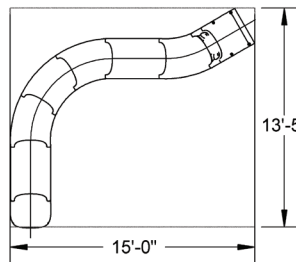
Style 19B - Isometric View

4 BYOS 2 Anchors Supplied

23 LINEAR FEET RIVER RUN
Style 23A - Left Turn Shown



Front View



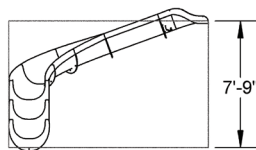
Top View



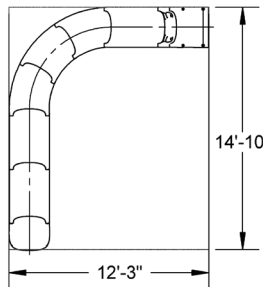
Style 23A - Isometric View

4 BYOS 2 Anchors Supplied

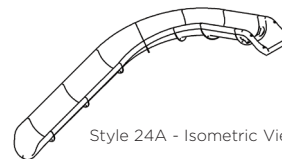
24 LINEAR FEET RIVER RUN
Style 24A - Left Turn Shown



Front View



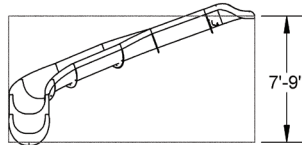
Top View



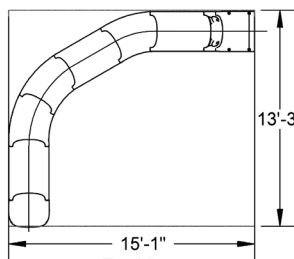
Style 24A - Isometric View

4 BYOS 2 Anchors Supplied

24 LINEAR FEET RIVER RUN
Style 24B - Left Turn Shown



Front View



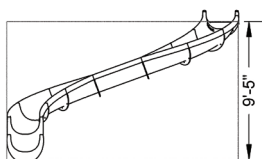
Top View



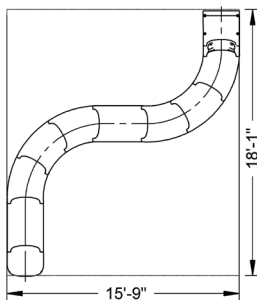
Style 24B - Isometric View

4 BYOS 2 Anchors Supplied

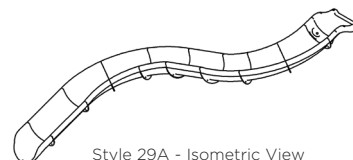
29 LINEAR FEET RIVER RUN
Style 29A - Left Turn Shown



Front View



Top View



Style 29A - Isometric View

5 BYOS 2 Anchors Supplied



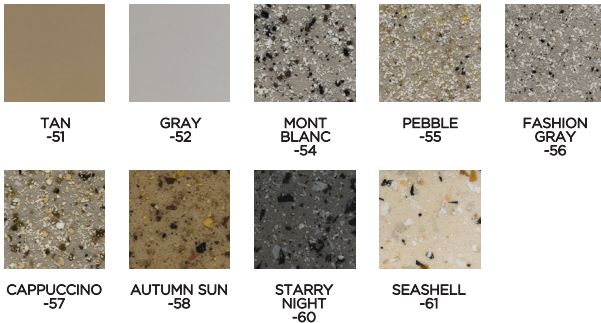
Garden Ride Pre-Configured Custom Slides

Garden Ride Pre-Configured Custom Slides are designed to be built into custom poolside landscapes with limited space. Featuring an easy to assemble two-piece flume available in 10' or 15' lengths, the Garden Ride offers hours of custom splashing fun. The advanced water delivery system, a deep and wide runway, and multiple color options make it ideal for a range of pool configurations.

- Right and left turn slides
- 350 pound weight limit
- Discreet zoom flume water delivery system with perfectly matching cover plate (20 - 40 gpm)
- No quote process needed - easy to order
- Matching powder-coated handrails are standard
- Available in assorted colors and visual textures
- Stainless-steel Anchoring System is included to ensure proper installation
- Color matching products include: T7 Diving System, Destination Series In-Pool Furniture



Slide Color

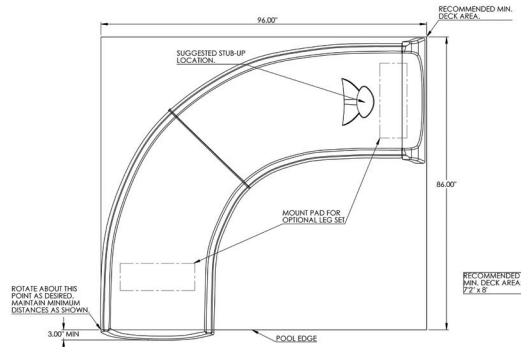
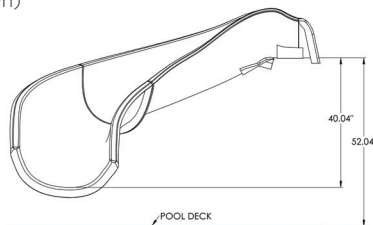


Due to printing technology, actual color may differ.

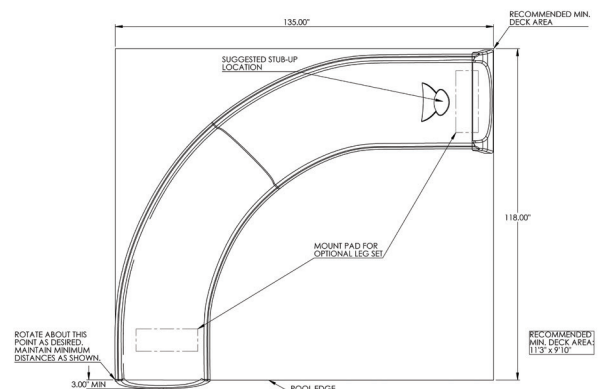
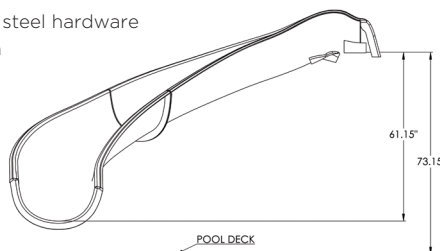
Part No.	Description
GRS10-CL-XX-C	10' Left Curve
GRS10-CR-XX-C	10' Right Curve
GRS15-CL-XX-C	15' Left Curve
GRS15-CR-XX-C	15' Right Curve

REPLACE THE XX IN THE PART NUMBERS TO INDICATE COLOR CODE WHEN ORDERING.

10' GARDEN RIDE (left curve shown)
Part # GRS10-CL-XX
Comes w/ stainless steel hardware and support system



15' GARDEN RIDE (left curve shown)
Part # GRS15-CL-XX
Comes w/ stainless steel hardware and support system





BigRide® Custom Slide

With its long, extra deep runway and cascades of rushing water, the BigRide is a perfect landscape slide.

- 5'6" in height
- Available with a right or left curved flume
- Accommodates sliders up to 250 lbs/113kg
- 30 gpm max. water delivery system can be plumbed through the pool's return line
- Heavy-duty fiberglass gelcoat construction for maximum durability
- Designed for quick, easy assembly with a 3-piece flume for easy assembly and shipping
- Intended for in-ground residential swimming pools only



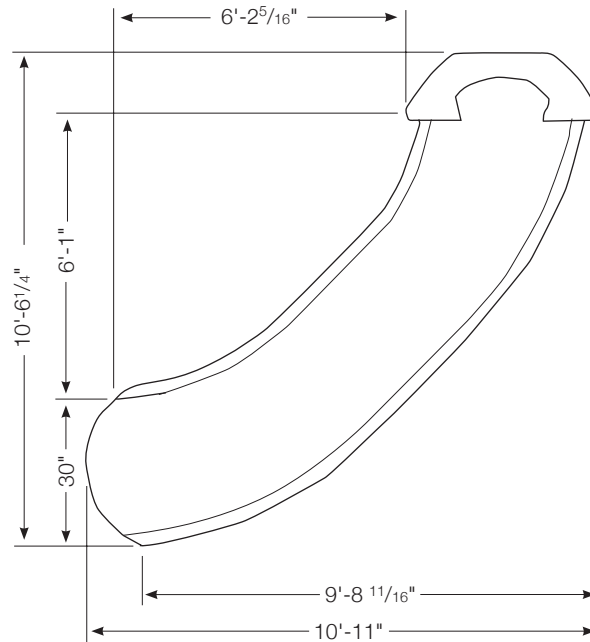
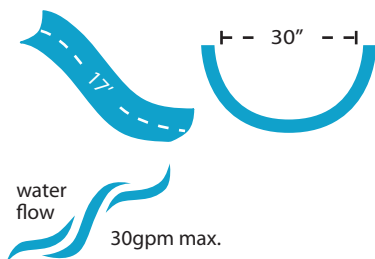
Slide Color



Due to printing technology, actual color may differ.

PART #	DESCRIPTION
SHIPPING	300 lbs - 77"L x 53"W x 37"H
CLASS 300	137kg - 183cm x 135cm x 94cm
BR-2R-TP	Tan, Right Curve
BR-2L-TP	Tan, Left Curve
BR-2R-PG	Gray, Right Curve
BR-2L-PG	Gray, Left Curve

Flume Details



All S.R.Smith, LLC swimming pool slides fully comply with Consumer Products Safety Commission (CPSC) mandatory safety Standard for Swimming Pool Slides (16 CFR 1207) and are certified by independent third party testing labs. The installer or end-user is responsible for complying with local building codes for the location, installation, construction or assembly of these slides. S.R.Smith, LLC makes no representations that the location, installation, construction or assembly of its slides meet local building codes.



Pool **Better**[™]

A Fluidra Brand | SRSmith.com | 1.800.822.7933

©2024 Fluidra. All rights reserved. The trademarks and trade names used herein are the property of their respective owners. 98864_SL

