

## PROJECT INFORMATION

PROJECT NAME \_\_\_\_\_

RESIDENTIAL

COMMERCIAL

Requires ICC code 1607.8.1 (Commercial projects only)

## CONTACT INFORMATION

DISTRIBUTOR NAME \_\_\_\_\_

DISTRIBUTOR CONTACT NAME \_\_\_\_\_

DISTRIBUTOR ADDRESS \_\_\_\_\_

CITY \_\_\_\_\_

STATE \_\_\_\_\_

ZIP \_\_\_\_\_

DISTRIBUTOR PHONE \_\_\_\_\_

DISTRIBUTOR EMAIL \_\_\_\_\_

## TUBING OUTSIDE DIAMETER

1.50"

1.90"

*\*Standard .120" wall thickness*

## WALL THICKNESS

.049"

.065"

.109"

.120"

.145"

*\*\*Standard 1.50" tubing outside diameter*

## GRADE

304 (Standard)

316L (Marine)

## POWDER COATING (Escutcheons not included)

NONE

WHITE

BLACK

COPPER VEIN

SILVER GRAY

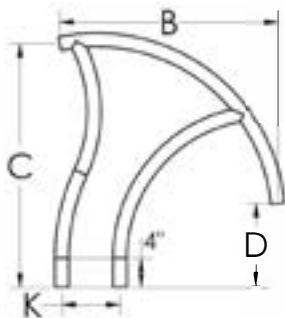
TAUPE

ROCK GRAY

HAMMERTONE GRAY

## HANDRAIL PATTERN

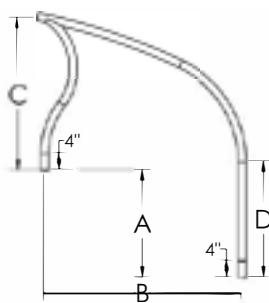
DR-G3D065



B \_\_\_\_\_  
C \_\_\_\_\_  
D \_\_\_\_\_  
K \_\_\_\_\_

Qty: \_\_\_\_\_

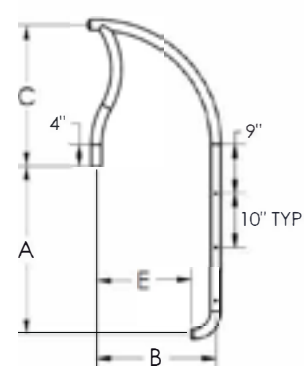
DR-D2S5065



A \_\_\_\_\_  
B \_\_\_\_\_  
C \_\_\_\_\_  
D \_\_\_\_\_

Qty: \_\_\_\_\_

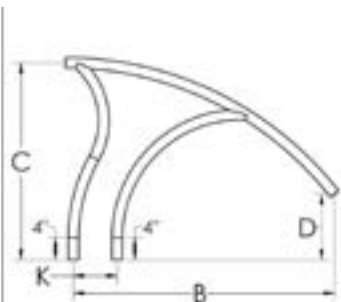
DR-L3065



A \_\_\_\_\_  
B \_\_\_\_\_  
C \_\_\_\_\_  
E \_\_\_\_\_

Qty: \_\_\_\_\_

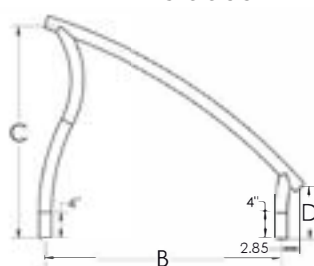
DR-D3D50065



B \_\_\_\_\_  
C \_\_\_\_\_  
D \_\_\_\_\_  
K \_\_\_\_\_

Qty: \_\_\_\_\_

DR-D2D3.0065



B \_\_\_\_\_  
C \_\_\_\_\_  
D \_\_\_\_\_

Qty: \_\_\_\_\_

Number of Steps \_\_\_\_\_

Cross Brace

All leg lengths should include the amount to be inserted into the anchor