



RAILS + LADDERS

OFFICIAL
POOL
EQUIPMENT
SUPPLIER





RAILS + LADDERS

CONTENTS

- Overview 4
- Modern Rails..... 6
- Rails.....12
- ADA Rails..... 20
- Ladders.....22

UNIQUE DESIGN ELEMENTS THAT MAKE A POOL SPECIAL

When you choose S.R.Smith®, you are choosing ladders and rails that can turn an ordinary pool into the extraordinary. From standard to custom, in a wide range of finishes, our rails can add both form and function to any pool. Modern Rails are also an ideal choice for pool renovation and new construction.

CUSTOM RAILS — ANY SIZE OR SHAPE

Whether it’s a minor variation to one of our standard rail configurations, or something from your own imagination, look to S.R.Smith to help make your vision a reality. While it’s true that ladders and rails should be hardworking and functional, they also have the power to help make your pool an architectural masterpiece. What’s more, S.R.Smith keeps your project on track with the fastest turnaround time in the industry. We offer a variety of options so every rail will be built to your exact specifications. Visit our online rail configurator for help at SRSmith.com/CustomRails.

TUBING OPTIONS

| WALL THICKNESS | 304 STAINLESS STEEL | 316L STAINLESS STEEL |
|----------------|---------------------|----------------------|
| .049" | 1.625" & 1.90" OD | 1.90" OD |
| .065" | 1.90" OD | 1.90" OD |
| .109" | 1.90" OD | 1.90" OD |
| .120" | 1.50" OD | 1.50" OD |
| .145" | 1.90" OD | |

A FINISH FOR EVERY POOL

A variety of finish options are available which provide a higher level of protection to our marine-grade stainless-steel rails and ladders. Coatings are available in a variety of colors.

POLISHED STAINLESS STEEL

304 is standard, or marine grade (316L) is an option for a higher level of protection in extreme environments.



POWDER COATING

A durable finish that is easy to maintain, designed to perform well in salt and other harsh environments, corrosion and scratch resistant and is available in a wide variety of colors.



Due to printing technology, actual colors may vary.
*Custom Order Colors

RAILS AND LADDERS

Our ladders and rails are available with a variety of options:*

- Tubing sizes: 1.50", 1.625" or 1.90" OD
- Wall thicknesses: .049", .065", .109", .120", .145"
- Stainless Steel: 304 or 316L

*Not all options are available on all ladders and rails.
Please visit our website for more information.

| | OUTDOOR POOL | | INDOOR POOL | |
|-----------------|-------------------------|------------------|-------------------------|------------------|
| | Traditional Chlorinator | Salt Chlorinator | Traditional Chlorinator | Salt Chlorinator |
| Powder Coating | ■ | ■ | ■ | ■ |
| Marine Grade | ■ | ■ | | |
| Stainless Steel | ■ | | | |

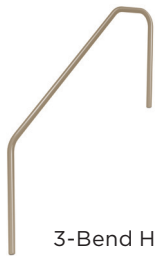
ADA COMPLIANT RAILS

The S.R.Smith rail line has been expanded to include ADA compliant transfer rails and handrails. Designed to meet the specifications issued as part of the update to the ADA law, our ADA rails help meet government specifications, and provide pool users an easy transition into the pool.

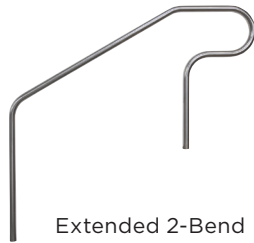


STAIR RAILS

- Height: 34"
- Diameter: 1.90" OD
- Extends at least 12" beyond the top and bottom of the stair landing



3-Bend Handrail



Extended 2-Bend Handrail

TRANSFER RAILS

- Height: 5.75"
- Length: 12", 14", 16" or 18"
- Meets ADA structural strength requirements



Straight Transfer Rail with flanges



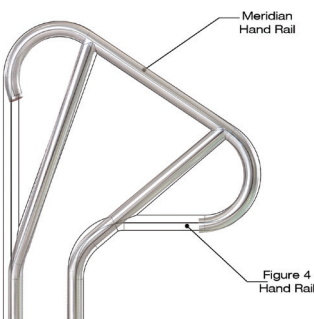
Bent Transfer Rail with flanges



MODERN RAIL SERIES

The designer-inspired S.R.Smith® modern rail series provide an elegant custom look for any pool environment. Made to easily fit the same footprint as traditional rails, they are the ideal choice for pool renovation projects and new construction.

- 1.90" OD tubing
- .065" wall thickness
- 304 or 316L stainless steel
- Ladder features stainless-steel treads
- Contact S.R.Smith® for powder coating option



Overlay of MER-1001S and Figure 4 Handrail

| MODERN RAIL MODEL | EASILY REPLACES |
|-------------------------|------------------------------------|
| Handrail | Figure 4 |
| Ladder | 24" 3-Step Ladder |
| Stair Rail | 5' 2-Bend or 5' 3-Bend Stair Rails |
| Deck-Mounted Stair Rail | DMS-100, 101, 102 & 103 |
| Deck-Mounted Handrail* | Deck-Mounted Rail 50-902 |

*Not available in Meridian Series



Artisan Series MODERN RAILS

The Artisan Series is a designer-inspired rail line that provides an elegant custom look for any pool environment. They are the ideal choice for pool renovation projects.

- Wall Thickness: .065"
 - Stainless Steel: 304 or 316L Marine Grade* (add -MG to part number)
 - Treads (Ladder Only): LTDF-103-R Stainless Steel
 - Recommended anchors: AS-100P or AS-100B (order separately)
 - Recommended escutcheon: EP-100F (order separately)
- * Minimum requirement for salt pools is 316L Marine Grade.

| Part No. | Description | Weight | Shipping | | |
|-----------|----------------------------------|----------------|--------------|--------------|------------|
| | | | Length | Width | Height |
| ART-1001S | Single Deck Rail | 15 lbs 7kg | 49" 125cm | 39" 99cm | 2" 5cm |
| ART-1001 | Deck Rail (pair) | 30 lbs 14kg | 49" 125cm | 39" 15cm | 5" 13cm |
| ART-1002 | Ramp/Stair Rail (single) | 25 lbs 11kg | 84" 213cm | 70" 177cm | 2" 5cm |
| ART-1003 | Ladder, 3 Step | 40 lbs 18kg | 78" 198cm | 41" 104cm | 2" 8cm |
| ART-1004 | Deck-Mounted Stair Rail (single) | 20 lbs 9kg | 70" 178cm | 39" 99cm | 2" 5cm |
| ART-1005 | Deck-Mounted Stair Rail (pair) | 40 lbs 18kg | 78" 198cm | 41" 104cm | 5" 5cm |



ART-1001S - SINGLE
ART-1001 - PAIR



ART-1002



ART-1003

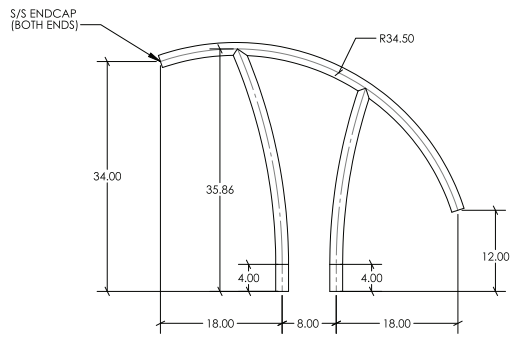


ART-1004

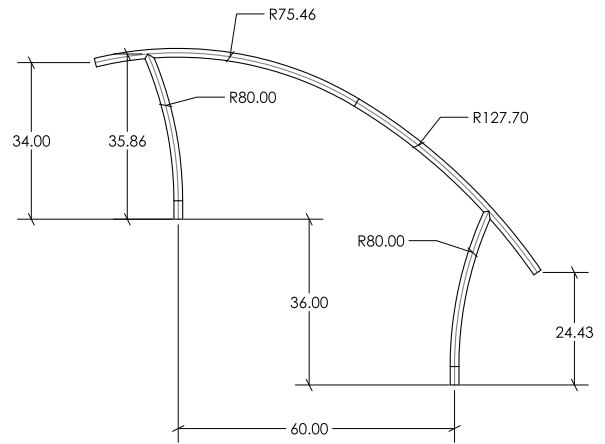


ART-1005

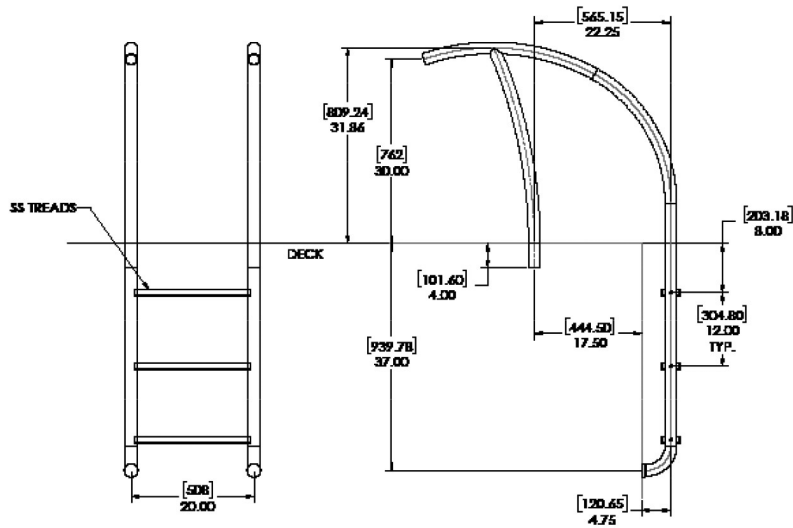
HANDRAIL (ART-1001)



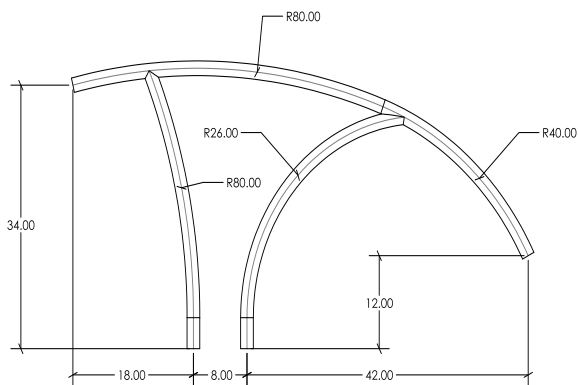
STAIR RAIL (ART-1002)



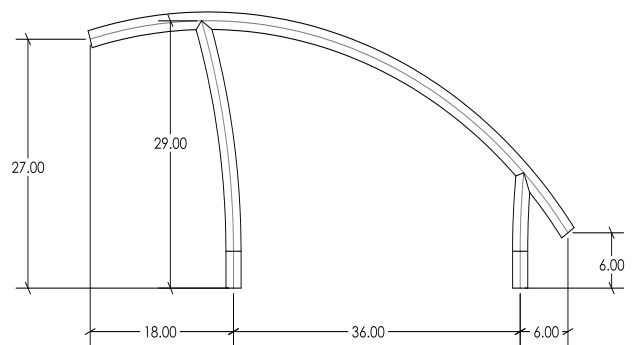
LADDER (ART-1003)



DECK-MOUNTED STAIR RAIL (ART-1004)



DECK-MOUNTED HANDRAIL (ART-1005)





Meridian Series MODERN RAILS

The Meridian Series is a patent-pending designer-inspired rail line that provides an elegant custom look for any pool environment. They are the ideal choice for pools with limited deck space.

- Tubing: 1.90" OD
- Wall Thickness: .065"
- Stainless Steel: 304 or 316L Marine Grade* (add -MG to part number)
- Treads (Ladder Only): LTDF-103-R Stainless Steel
- Options: Powder-coating available
- Recommended anchors: AS-100P or AS-100B (order separately)
- Recommended escutcheon: EP-100F (order separately)

* Minimum requirement for salt pools is 316L Marine Grade.

| Part No. | Description | Weight | Shipping | | |
|-----------|----------------------------------|----------------|--------------|--------------|------------|
| | | | Length | Width | Height |
| MER-1001S | Single Deck Rail | 18 lbs 8kg | 38" 96cm | 32" 81cm | 4" 10cm |
| MER-1001 | Deck Rail (pair) | 32 lbs 14kg | 38" 96cm | 32" 81cm | 4" 10cm |
| MER-1002 | Ramp/Stair Rail (single) | 25 lbs 10kg | 72" 183cm | 40" 101cm | 3" 8cm |
| MER-1003 | Ladder, 3 Step | 42 lbs 19kg | 77" 196cm | 41" 104cm | 4" 10cm |
| MER-1004 | Deck-Mounted Stair Rail (single) | 20 lbs 9kg | 60" 152cm | 38" 97cm | 2" 5cm |



MER-1001 - PAIR



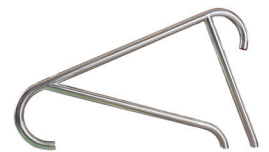
MER-1001S - PAIR



MER-1002



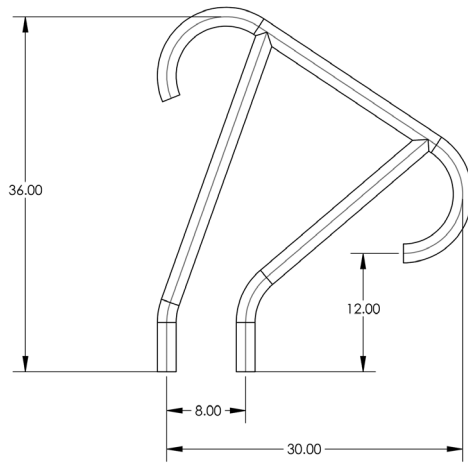
MER-1003



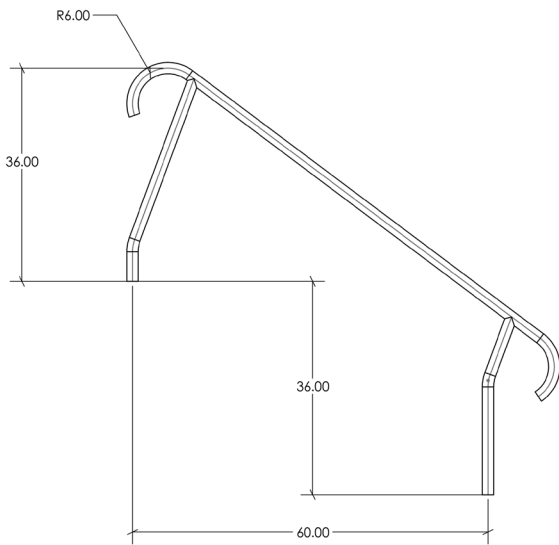
MER-1004

May be available in Powder-Coated finishes. Please reach out to CustomerCare@SRSmith.com to confirm the color and finish availability.

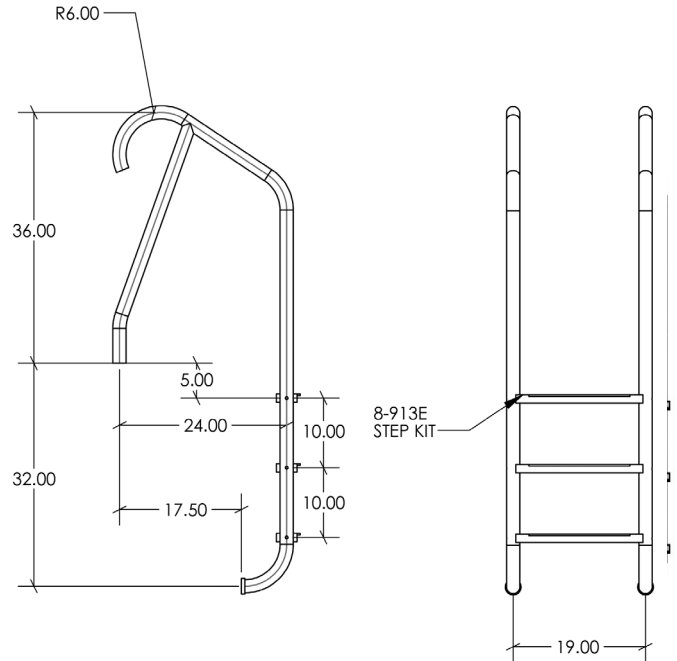
HANDRAIL (MER-1001S)



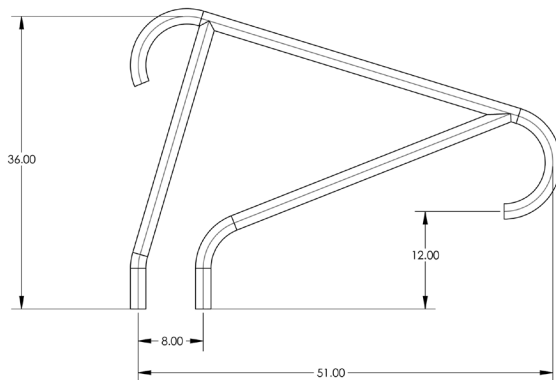
STAIR RAIL (MER-1002)



LADDER (MER-1003)



DECK-MOUNTED STAIR RAIL (MER-1004)





Designer Series MODERN RAILS

The Designer Series can replace traditional pool rails for a upgraded sophisticated look in any pool environment.

- Tubing: 1.90" OD
- Wall Thickness: .065"
- Polished pool grade stainless steel (304 alloy), marine grade (316l alloy), and color coated
- Deck top mounted versions available
- Salt Pool Safe™ when rails upgraded to Powder Coating or Marine Grade
- Upgradeable deck top mounted flanged versions (escutcheons included)

| Part No. | Description | Weight | Shipping | | |
|------------------|--------------------------------|------------------|-------------|-------------|------------|
| | | | Length | Width | Height |
| DR-G3D065 | Grab Rail - Pair | 31 lbs 14kg | 37" 94cm | 31" 79cm | 4" 10cm |
| DR-G3D065-Single | Grab Rail - Single | 17 lbs 8kg | 38" 17cm | 33" 15cm | 3" 8cm |
| DR-D3D50065 | Deck to Deck Return Stair Rail | 23 lbs 10.5kg | 55" 22cm | 40" 18cm | 3" 8cm |
| DR-L3065P-W | 3 Tread Ladder w/HIP Tread | 32 lbs 15kg | 74" 33cm | 29" 13cm | 3" 8cm |

Powder coating options may be available. On ALL powder-coated rails, the bottom 4" of the stainless steel is NOT powder coated. If you use 3" anchors, a 3" option is available upon request.



DR-G3D065-S - SINGLE
DR-G3D065 - PAIR

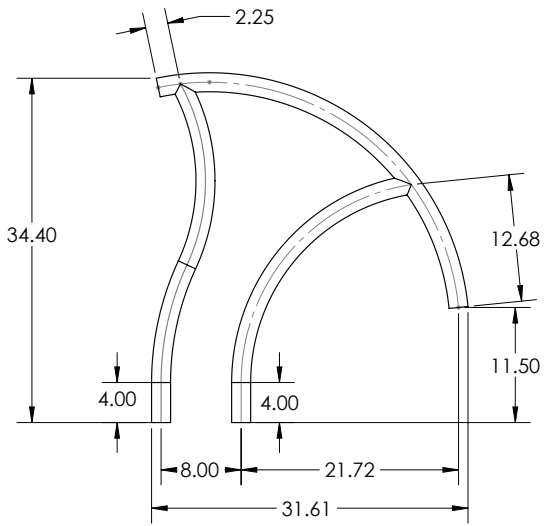


DR-D3D50065

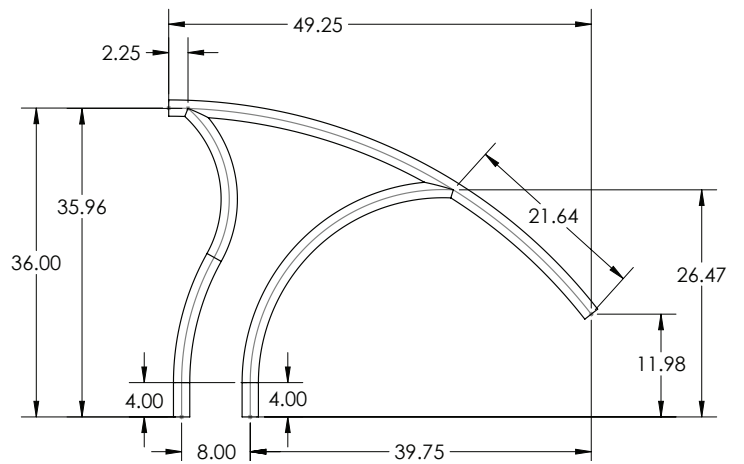


DR-L3065P-W - 3 STEP W/HIP TREAD
DR-L3065S - 3 STEP W/SUT TREAD

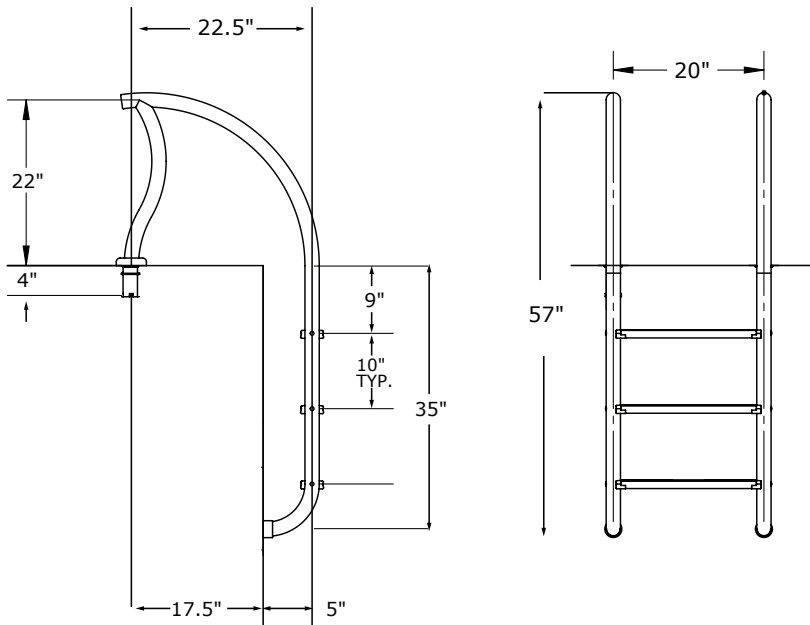
DR-G3D065-S - SINGLE
 DR-G3D065 - PAIR



DR-D3D DECK TO DECK RETURN STAIR RAIL



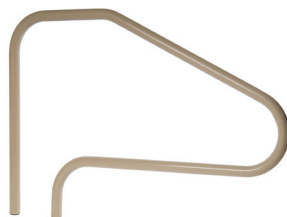
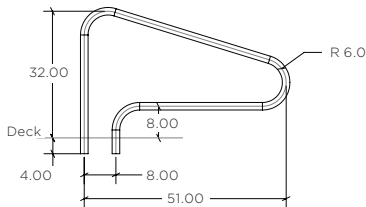
DESIGNER 3 TREAD LADDER



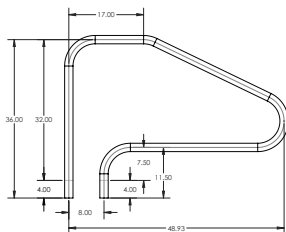
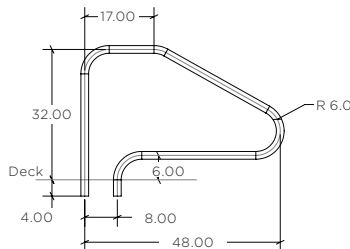
Deck-Mounted Hand & Stair Rails



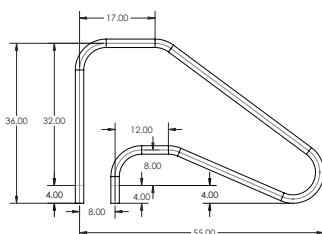
DMS-100



DMS-101



D4D049



D5D049

- Tubing: 1.90" OD
- Wall Thickness*: .049" or .065"
- Stainless Steel: 304 or 316L Marine Grade** (add -MG to part number)
- Bends: 6" Radius
- Recommended anchors: AS-100P or AS-100B (order separately)
- Recommended escutcheon: EP-100F (order separately)
- Sold as a single rail

* Minimum rail thickness is .065 for Commercial

** Minimum requirement for salt pools is 316L Marine Grade

DMS-100

| Part No. | Description | Shipping | | | |
|----------|-----------------------------|---------------|--------------|-------------|-----------|
| | | Weight | Length | Width | Height |
| DMS-100A | 51" Center Grab Rail, .049" | | | | |
| DMS-100B | 51" Center Grab Rail, .065" | 18 lbs 8kg | 59" 150cm | 39" 99cm | 2" 5cm |
| DMS-100S | 60" Center Grab Rail, .065" | | | | |

DMS-101

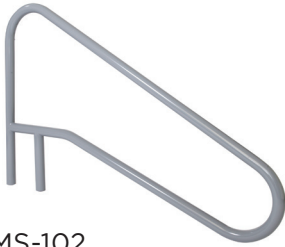
| Part No. | Description | Shipping | | | |
|----------|-----------------------------|----------|--------|-------|--------|
| | | Weight | Length | Width | Height |
| DMS-101A | 48" Center Grab Rail, .049" | 16 lbs | 59" | 39" | 2" |
| DMS-101B | 48" Center Grab Rail, .065" | 7kg | 150cm | 99cm | 5cm |

DECK TO DECK MOUNTED

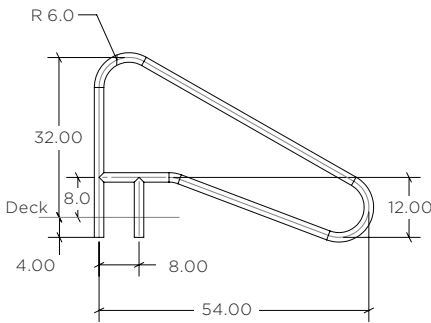
| Part No. | Description | Shipping | | | |
|----------|--------------------------|----------|--------|-------|--------|
| | | Weight | Length | Width | Height |
| D4D049 | 4 Bend Stair Rail, .049" | 16 lbs | 57" | 39" | 2" |
| D5D049 | 5 Bend Stair Rail, .049" | 7kg | 145cm | 99cm | 5cm |

May be available in powder-coated finishes. Please reach out to CustomerCare@SRSmith.com to confirm the color and finish availability.

Deck-Mounted Hand & Stair Rails



DMS-102



- Tubing: 1.90" OD
- Wall Thickness*: .049" or .065"
- Stainless Steel: 304 or 316L Marine Grade** (add -MG to part number)
- Bends: 6" Radius
- Recommended anchors: AS-100P or AS-100B (order separately)
- Recommended escutcheon: EP-100F (order separately)
- Sold as a single rail

* Minimum rail thickness is .065 for Commercial

** Minimum requirement for salt pools is 316L Marine Grade

DMS-102

| Part No. | Description | Weight | Shipping | | |
|----------|---|---------------|--------------|-------------|-----------|
| | | | Length | Width | Height |
| DMS-102A | 54" Center Grab Rail, .049" | 19 lbs 9kg | 59" 150cm | 39" 99cm | 2" 5cm |
| DMS-102B | 54" Center Grab Rail, .065" | 19 lbs 9kg | 59" 150cm | 39" 99cm | 2" 5cm |
| DMS-102P | 54" Center Grab Rail, .049" w/ welded mounting plate | 19 lbs 9kg | 59" 150cm | 39" 99cm | 2" 5cm |



D4BD049-FL

DECK TOP MOUNT

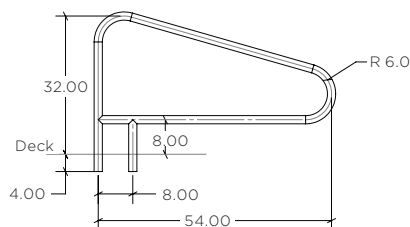
| Part No. | Description | Weight | Shipping | | |
|------------|---|---------------|--------------|-------------|-----------|
| | | | Length | Width | Height |
| D4BD049-FL | 48" Center Grab Rail, .049" w/ flanges and escutcheons | 17 lbs 8kg | 59" 150cm | 39" 99cm | 2" 5cm |



DMS-103

DMS-103

| Part No. | Description | Weight | Shipping | | |
|----------|-----------------------------|----------------------------|--------------|-------------|-----------|
| | | | Length | Width | Height |
| DMS-103A | 54" Center Grab Rail, .049" | 14 lbs – 18 lbs 6 – 8kg | 59" 150cm | 39" 99cm | 2" 5cm |
| DMS-103B | 54" Center Grab Rail, .065" | 14 lbs – 18 lbs 6 – 8kg | 59" 150cm | 39" 99cm | 2" 5cm |



DECK TOP MOUNT

| Part No. | Description | Weight | Shipping | | |
|-------------|---|----------------|--------------|-------------|------------|
| | | | Length | Width | Height |
| D3D50049-FL | 50" 3-Bend Stair Rail, .049" w/flanges and escutcheons | 27 lbs 12kg | 61" 155cm | 38" 97cm | 7" 18cm |

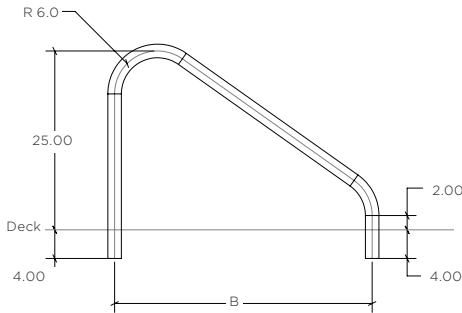
May be available in powder-coated finishes. Please reach out to CustomerCare@SRSmith.com to confirm the color and finish availability.



Deck-Mounted Stair Rails

- Tubing: 1.90" OD
- Wall Thickness: .049"
- Stainless Steel: 304 or 316L Marine Grade* (add -MG to part number)
- Bends: 6" Radius
- Recommended anchors: AS-100B (order separately)
- Recommended escutcheon: EP-100F (order separately)
- Sold as pairs

* Minimum requirement for salt pools is 316L Marine Grade



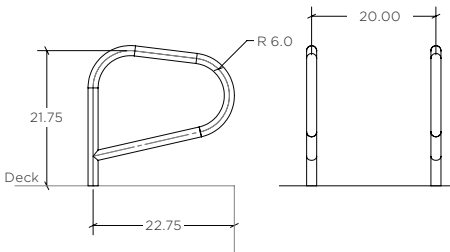
| Part No. | Description | Weight | Shipping | | |
|----------|---------------------|---------------|--------------|----------------|------------|
| | | | Length | Width | Height |
| 50-901 | 30" Side Stair Rail | 18 lbs 8kg | 40" 102cm | 32.5" 82cm | 4" 10cm |
| 50-770 | 32" Side Stair Rail | 18 lbs 8kg | 40" 102cm | 32" 81cm | 4" 10cm |
| 50-902 | 36" Side Stair Rail | 15 lbs 7kg | 40" 102cm | 62.5" 159cm | 4" 10cm |
| 50-766 | 40" Side Stair Rail | 18 lbs 8kg | 40" 102cm | 32" 81cm | 4" 10cm |
| 50-903 | 42" Side Stair Rail | 18 lbs 8kg | 59" 150cm | 39" 99cm | 2" 5cm |



P-Rails

- Tubing: 1.625" OD
- Wall Thickness: .049"
- Stainless Steel: 304 or 316L Marine Grade* (add -MG to part number)
- Bends: 6" Radius
- Recommended anchor: PR3-101
- Recommended escutcheon: EP-103 (order separately)

* Minimum requirement for salt pools is 316L Marine Grade



| Part No. | Description | Weight | Shipping | | |
|----------|---------------|---------------|-------------|-------------|------------|
| | | | Length | Width | Height |
| PR3-100B | Rail set only | 12 lbs 6kg | 32" 81cm | 22" 56cm | 4" 10cm |

May be available in Powder-Coated finishes. Please reach out to CustomerCare@SRSmith.com to confirm the color and finish availability.

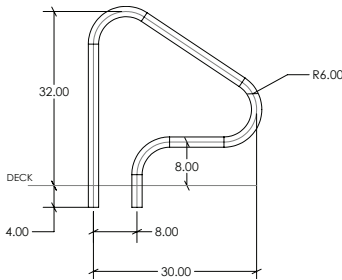
Figure 4



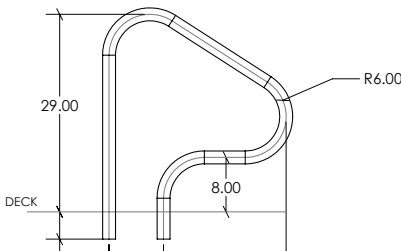
- 600-grit polished finish
- Stainless Steel: 304 or 316L Marine Grade* (add -MG to part number)
- Powder-coated options available
- Sold as pairs, unless otherwise noted
- Tubing: 1.90" OD
- Wall Thickness: .049", .065"
- Bends: 6" Radius
- Recommended anchors: AS-100B-SS (order separately)
- Recommended escutcheons: EP-100F (order separately)

* Minimum requirement for salt pools is 316L Marine Grade

RESIDENTIAL 30-INCH SETBACK



RESIDENTIAL 26-INCH SETBACK



| Part No. | Description | Weight | Shipping | | |
|----------|--|----------------|-------------|-------------|------------|
| | | | Length | Width | Height |
| F4H-100 | 30" Figure 4, .065" wall, pair 1.90" OD | 24 lbs 11kg | 39" 99cm | 32" 81cm | 4" 10cm |
| F4H-101 | 30" Figure 4, .049" wall, pair 1.90" OD | 19 lbs 9kg | 39" 99cm | 32" 81cm | 4" 10cm |
| F4H-102 | 26" Figure 4, .049" wall, pair 1.90" OD | 18 lbs 8kg | 39" 99cm | 32" 81cm | 4" 10cm |
| F4H-102S | 26" Figure 4, .049" wall, pair 1.90" OD | 12 lbs 5kg | 39" 99cm | 32" 81cm | 4" 10cm |

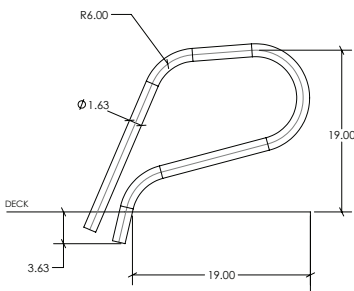
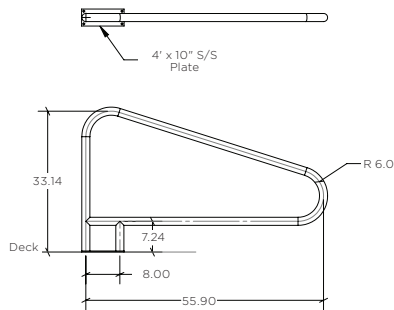
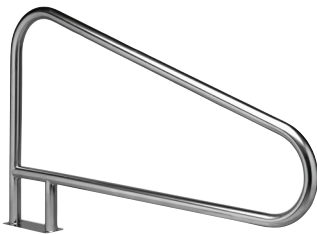
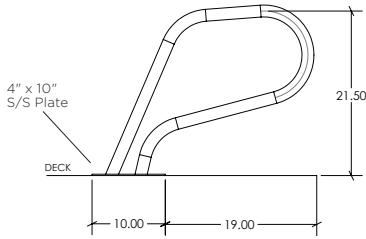
DECK TOP MOUNT

| Part No. | Description | Weight | Shipping | | |
|------------------|---|---------------|--------------|-------------|------------|
| | | | Length | Width | Height |
| G3D049-FL-SINGLE | 28" Figure 4, .049" w/ Flanges & Escutcheons | 13 lbs 6kg | 36" 91cm | 31" 78cm | 6" 15cm |
| G3D049-FL | 28" Figure 4, .049" w/ Flanges & Escutcheons | 18 lbs 8kg | 37" 94cm | 32" 81cm | 5" 13cm |
| G3D065S-12EXT | 28" Figure 4, .049" w/ 12" Extensions on Both Legs | 16 lbs 7kg | 53" 135cm | 38" 97cm | 3" 8cm |
| G3DE049 | 26" Figure 4, .049", Pair, w/ Flanges & Escutcheons | 18 lbs 8kg | 37" 94cm | 32" 81cm | 5" 13cm |

ECONOMY

| Part No. | Description | Weight | Shipping | | |
|-------------------|--|---------------|-------------|-------------|------------|
| | | | Length | Width | Height |
| G3DE049-FL-SINGLE | 26" Figure 4 Rail, .049" w/flanges and escutcheons | 17 lbs 8kg | 36" 91cm | 35" 89cm | 6" 18cm |
| G3DE049 | 26" Figure 4 Rail, .049" w/flanges and escutcheons | 18 lbs 8kg | 37" 94cm | 32" 81cm | 5" 13cm |
| G3DE049-SINGLE | 26" Figure 4 Rail, .049" w/flanges and escutcheons | 12 lbs 8kg | 38" 97cm | 33" 84cm | 3" 8cm |

May be available in Powder-Coated finishes. Please reach out to CustomerCare@SRSmith.com to confirm the color and finish availability.



Spa Rail

- Tubing: 1.625" OD
- Wall Thickness: .049"
- Stainless Steel: 304 or 316L Marine Grade* (add -MG to part number)
- Bends: 6" Radius
- No anchor required. Includes a 4" by 10" stainless-steel plate drilled for 3/8" bolts (not included)

* Minimum requirement for salt pools is 316L Marine Grade

| Part No. | Description | Shipping | | | |
|----------|-------------------------------|--------------|-------------|-------------|------------|
| | | Weight | Length | Width | Height |
| SR-100 | Single Spa Rail - No Hardware | 8 lbs 4kg | 32" 81cm | 22" 56cm | 4" 10cm |
| SPA-1900 | 20" Single Spa Rail, .049" | 8 lbs 4kg | 34" 86cm | 30" 76cm | 3" 8cm |

PR-500

- Tubing: 1.90" OD
- Wall Thickness: .049"
- Stainless Steel: 304
- Bends: 6" Radius
- No anchor required. Legs of the rail are surface welded to a mounting plate that has been drilled for 3/8" bolts (not included)

| Part No. | Description | Shipping | | | |
|----------|-------------------------------------|---------------|--------------|-------------|-----------|
| | | Weight | Length | Width | Height |
| PR-500 | Deck-Mounted Pool Rail with Flanges | 18 lbs 8kg | 59" 150cm | 39" 99cm | 2" 5cm |

Residential Ring

- Tubing: 1.625" OD
- Wall Thickness: .049"
- Stainless Steel: 304 or 316L Marine Grade* (add -MG to part number)
- Recommended anchors: 34-306A
- Recommended escutcheons: 8-420

* Minimum requirement for salt pools is 316L Marine Grade

| Part No. | Description | Shipping | | | |
|----------|------------------------------------|---------------|-------------|-------------|------------|
| | | Weight | Length | Width | Height |
| RRH-100 | Ring Handrails - Rails Only (Pair) | 18 lbs 8kg | 32" 81cm | 22" 56cm | 4" 10cm |

PARTS & ACCESSORIES

- 34-306A Bronze Anchor, Complete
- 8-415A Gibraltar Wedge Retrofit Kit

May be available in Powder-Coated finishes. Please reach out to CustomerCare@SRSmith.com to confirm the color and finish availability.

Stair Rails

- Tubing: 1.90" OD
- Wall Thickness: .049" or .065"
- Stainless Steel: 304 or 316L Marine Grade** (add -MG to part number)
- Bends: 6" Radius
- Recommended anchors: AS-100B (order separately)
- Recommended escutcheon: EP-100F (order separately)

* Minimum rail thickness is .065 for Commercial

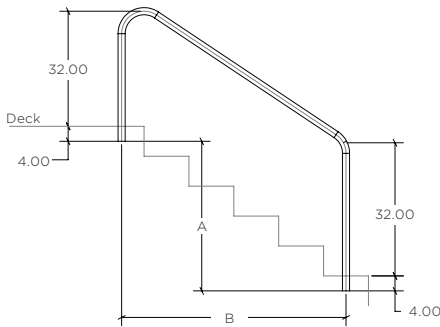
** Minimum requirement for salt pools is 316L Marine Grade



TWO BEND

2-BEND

| Part No. | Description | A | B | Weight | Shipping | | |
|----------|-----------------|-----|-------|----------------------|---------------|-------------|-----------|
| | | | | | Length | Width | Height |
| 2HR-4 | 2-Bend Rail, 4' | 26" | 4'-0" | 10-20 lbs 4-10 kg | 70" 178 cm | 37" 94cm | 2" 5cm |
| 2HR-5 | 2-Bend Rail, 5' | 36" | 5'-0" | 12-25 lbs 5-11 kg | 82" 208 cm | 37" 94cm | 2" 5cm |
| 2HR-6 | 2-Bend Rail, 6' | 46" | 6'-0" | 12-25 lbs 5-11 kg | 97" 246 cm | 37" 94cm | 2" 5cm |



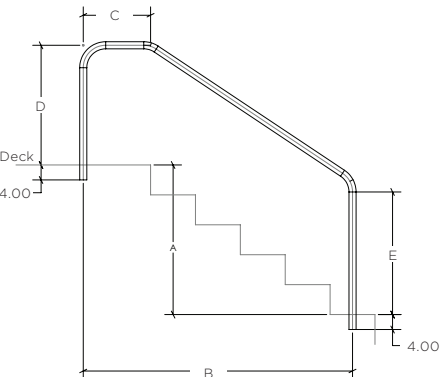
- Add -049 to the part number for .049" wall. Add -065 to the part number for .065" wall.
- Extended Lengths: Add -1 to the part number for 12" extended length on pool (front) leg. Add -2 to the part number for 12" extended length on both legs. Add -3 to the part number for 12" extended length to deck leg.



THREE BEND

3-BEND

| Part No. | Description | A | B | C | D | E | Weight | Shipping | | |
|----------|-------------------|-----|-------|-----|-----|-----|----------------------|---------------|--------------|------------|
| | | | | | | | | Length | Width | Height |
| 3HR-4 | 3-Bend Rail, 4' | 26" | 4'-0" | 18" | 32" | 26" | 11-22 lbs 5-10kg | 60" 152cm | 42" 107cm | 2" 5cm |
| 3HR-5 | 3-Bend Rail, 5' | 36" | 5'-0" | 18" | 32" | 26" | 12-24 lbs 5-11kg | 72" 81cm | 42" 107cm | 2" 10cm |
| 3HR-5.5 | 3-Bend Rail, 5.5' | 32" | 5'-6" | 18" | 32" | 29" | 13-21 lbs 6-10kg | 78" 198cm | 42" 107cm | 2" 5cm |
| 3HR-6 | 3-Bend Rail, 6' | 46" | 6'-0" | 18" | 32" | 26" | 13-32 lbs 6-14kg | 84" 213cm | 42" 107cm | 2" 5cm |
| 3HR-6.5 | 3-Bend Rail, 6.5' | 32" | 6'-6" | 35" | 34" | 29" | 16-34 lbs 7-15kg | 90" 229cm | 42" 107cm | 2" 5cm |
| 3HR-7 | 3-Bend Rail, 7' | 36" | 7'-0" | 40" | 30" | 29" | 18-34 lbs 8-15kg | 94" 239cm | 42" 107cm | 2" 5cm |
| 3HR-8 | 3-Bend Rail, 8' | 30" | 8'-0" | 53" | 34" | 33" | 21-39 lbs 10-18kg | 105" 267cm | 42" 107cm | 2" 5cm |



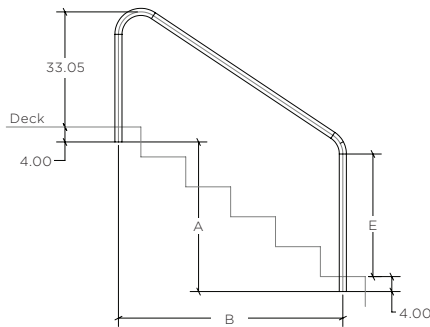
- Add -049 to the part number for .049" wall. Add -065 to the part number for .065" wall.
- Extended Lengths: Add -1 to the part number for 12" extended length on pool (front) leg. Add -2 to the part number for 12" extended length on both legs. Add -3 to the part number for 12" extended length to deck leg.

May be available in Powder-Coated finishes. Please reach out to CustomerCare@SRSmith.com to confirm the color and finish availability.

Heavy-Duty Stair Rails

- Tubing: 1.50" or 1.90" OD
- Wall Thickness: .065", .109", .120" or .145"
- Stainless Steel: 304
- Bends: 6" Radius
- Recommended anchors: AS-200B for 1.50" and AS-100B for 1.90"*
- Recommended escutcheons: EP-150 for 1.50" and EP-100F for 1.90"*
*order separately

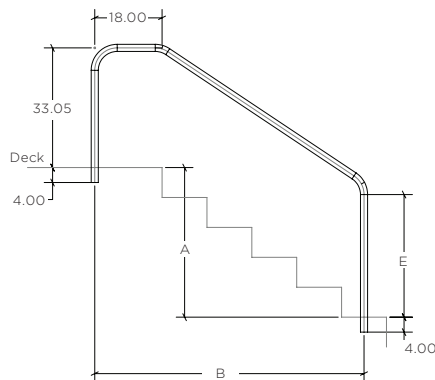
HEAVY-DUTY TWO BEND



2-Bend Heavy Duty

| | | | |
|----------------|-------|-------|----------|
| 10145 - 10147: | A=26" | B=48" | E=33.55" |
| 10148 - 10150: | A=34" | B=60" | E=33.85" |
| 10151 - 10153: | A=42" | B=72" | E=34.05" |

HEAVY-DUTY THREE BEND



3-Bend Heavy Duty

| | | | |
|----------------|-------|-------|----------|
| 10154 - 10156: | A=26" | B=48" | E=30.31" |
| 10157 - 10159: | A=34" | B=60" | E=30.19" |
| 10160 - 10162: | A=42" | B=72" | E=30.12" |

2-BEND (1.90" OD)

| Part No. | Description | A | B | C | Shipping | | | |
|----------|------------------------|-----|-----|--------|----------------|--------------|-------------|-----------|
| | | | | | Weight | Length | Width | Height |
| 10145 | 2-Bend Rail, 4', .065" | | | | 14 lbs 6kg | 70" 178cm | 37" 94cm | 2" 5cm |
| 10146 | 2-Bend Rail, 4', .109" | 26" | 48" | 33.55" | 23 lbs 10kg | 70" 178cm | 37" 94cm | 2" 5cm |
| 10147 | 2-Bend Rail, 4', .145" | | | | 30 lbs 14kg | 70" 178cm | 37" 94cm | 2" 5cm |
| 10148 | 2-Bend Rail, 5', .065" | | | | 16 lbs 7kg | 82" 208cm | 37" 94cm | 2" 5cm |
| 10149 | 2-Bend Rail, 5', .109" | 34" | 60" | 33.85" | 25 lbs 11kg | 82" 208cm | 37" 94cm | 2" 5cm |
| 10150 | 2-Bend Rail, 5', .145" | | | | 33 lbs 15kg | 82" 208cm | 37" 94cm | 2" 5cm |
| 10151 | 2-Bend Rail, 6', .065" | | | | 17 lbs 8kg | 97" 246cm | 37" 94cm | 2" 5cm |
| 10152 | 2-Bend Rail, 6', .109" | 42" | 72" | 34.05" | 28 lbs 13kg | 97" 246cm | 37" 94cm | 2" 5cm |
| 10153 | 2-Bend Rail, 6', .145" | | | | 36 lbs 16kg | 97" 246cm | 37" 94cm | 2" 5cm |

2-BEND (1.50" OD)

| Part No. | Description | Shipping | | | |
|----------|------------------------|---------------|--------------|-------------|-----------|
| | | Weight | Length | Width | Height |
| 12047 | 2-Bend Rail, 4', .120" | 17 lbs 8kg | 70" 178cm | 37" 94cm | 2" 5cm |
| 12048 | 2-Bend Rail, 5', .120" | 18 lbs 8kg | 82" 208cm | 37" 94cm | 2" 5cm |
| 12049 | 2-Bend Rail, 6', .120" | 20 lbs 9kg | 97" 246cm | 37" 94cm | 2" 5cm |

3-BEND (1.90" OD)

| Part No. | Description | A | B | C | Shipping | | | |
|----------|------------------------|-----|-----|--------|----------------|--------------|--------------|-----------|
| | | | | | Weight | Length | Width | Height |
| 10154 | 3-Bend Rail, 4', .065" | | | | 14 lbs 6kg | 60" 152cm | 42" 107cm | 2" 5cm |
| 10155 | 3-Bend Rail, 4', .109" | 26" | 48" | 30.31" | 23 lbs 10kg | 60" 152cm | 42" 107cm | 2" 5cm |
| 10156 | 3-Bend Rail, 4', .145" | | | | 30 lbs 14kg | 60" 152cm | 42" 107cm | 2" 5cm |
| 10157 | 3-Bend Rail, 5', .065" | | | | 16 lbs 7kg | 72" 183cm | 42" 107cm | 2" 5cm |
| 10158 | 3-Bend Rail, 5', .109" | 34" | 60" | 30.19" | 25 lbs 11kg | 72" 183cm | 42" 107cm | 2" 5cm |
| 10159 | 3-Bend Rail, 5', .145" | | | | 33 lbs 15kg | 72" 183cm | 42" 107cm | 2" 5cm |
| 10160 | 3-Bend Rail, 6', .065" | | | | 17 lbs 8kg | 84" 213cm | 42" 107cm | 2" 5cm |
| 10161 | 3-Bend Rail, 6', .109" | 42" | 72" | 30.12" | 28 lbs 13kg | 84" 213cm | 42" 107cm | 2" 5cm |
| 10162 | 3-Bend Rail, 6', .145" | | | | 36 lbs 16kg | 84" 213cm | 42" 107cm | 2" 5cm |

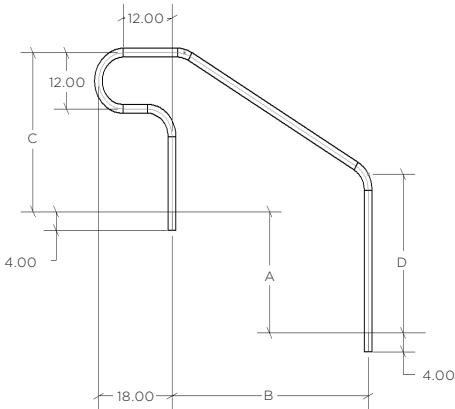
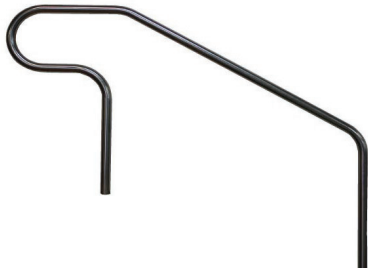
3-BEND (1.50" OD)

| Part No. | Description | Shipping | | | |
|----------|------------------------|---------------|--------------|--------------|-----------|
| | | Weight | Length | Width | Height |
| 12050 | 3-Bend Rail, 4', .120" | 17 lbs 8kg | 60" 152cm | 42" 107cm | 2" 5cm |
| 12051 | 3-Bend Rail, 5', .120" | 18 lbs 8kg | 72" 183cm | 42" 107cm | 2" 5cm |
| 12052 | 3-Bend Rail, 6', .120" | 20 lbs 9kg | 84" 213cm | 42" 107cm | 2" 5cm |

May be available in Powder-Coated finishes. Please reach out to CustomerCare@SRSmith.com to confirm the color and finish availability.



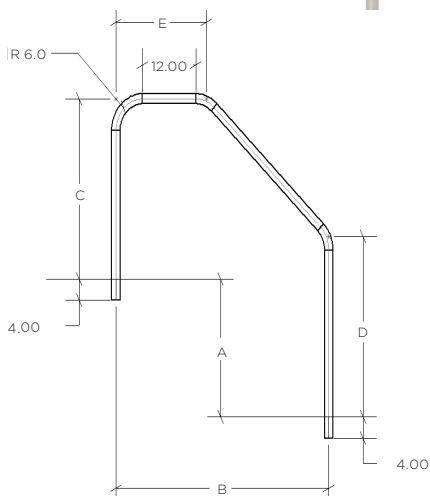
ADA Extended 2-Bend Stair Rail



- Tubing: 1.90" OD
 - Wall Thickness: .065"
 - Stainless Steel: 304 or 316L Marine Grade* (add -MG to part number)
 - Bends: 6" Radius
 - Powder-coated options available
 - Recommended anchors: AS-100B (order separately)
 - Recommended escutcheon: EP-100F (order separately)
- * Minimum requirement for salt pools is 316L Marine Grade

| Part No. | Description | A | B | C | D | Weight | Shipping | | |
|----------|-------------|-----|-----|-----|-----|----------------|--------------|--------------|------------|
| | | | | | | | Length | Width | Height |
| 2HR-4ADA | 4' Rail | 26" | 48" | 34" | 34" | 20 lbs 9kg | 72" 152cm | 42" 107cm | 4" 5cm |
| 2HR-5ADA | 5' Rail | 36" | 60" | 34" | 34" | 22 lbs 10kg | 84" 213cm | 42" 107cm | 4" 10cm |
| 2HR-6ADA | 6' Rail | 46" | 72" | 34" | 34" | 24 lbs 11kg | 96" 244cm | 42" 107cm | 4" 10cm |

ADA 3-Bend Stair Rails

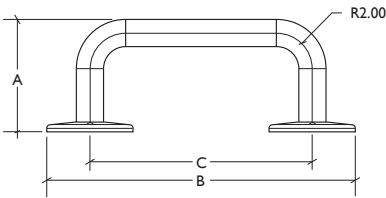


- Tubing: 1.90" OD
 - Wall Thickness: .065"
 - Stainless Steel: 304 or 316L Marine Grade* (add -MG to part number)
 - Bends: 6" Radius
 - Recommended anchors: AS-100B (order separately)
 - Recommended escutcheon: EP-100F (order separately)
- * Minimum requirement for salt pools is 316L Marine Grade

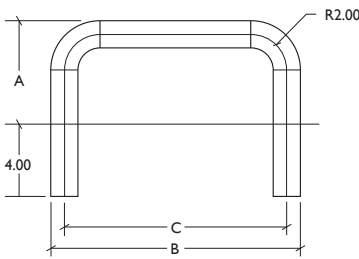
| Part No. | Des. | A | B | C | D | E | Weight | Shipping | | |
|------------|-----------|-----|-----|-----|-----|--------|----------------|---------------|--------------|------------|
| | | | | | | | | Length | Width | Height |
| 3HR-4ADA | 4' Rail | 26" | 48" | 34" | 34" | 20.38" | 20 lbs 10kg | 60" 152cm | 42" 107cm | 4" 5cm |
| 3HR-5ADA | 5' Rail | 36" | 60" | 34" | 34" | 20.32" | 22 lbs 10kg | 72" 178cm | 42" 107cm | 4" 10cm |
| 3HR-5.5ADA | 6' Rail | 32" | 66" | 34" | 34" | 19.88" | 24 lbs 11kg | 78" 198cm | 42" 107cm | 4" 10cm |
| 3HR-6ADA | 6' Rail | 46" | 72" | 34" | 34" | 20.28" | 26 lbs 12kg | 84" 213cm | 42" 107cm | 4" 10cm |
| 3HR-6.5ADA | 6'6" Rail | 32" | 78" | 34" | 34" | 35" | 28 lbs 13kg | 90" 229cm | 42" 107cm | 4" 10cm |
| 3HR-7ADA | 7' Rail | 36" | 84" | 34" | 34" | 40" | 30 lbs 14kg | 96" 244cm | 42" 107cm | 4" 10cm |
| 3HR-8ADA | 8' Rail | 30" | 96" | 34" | 34" | 53" | 32 lbs 14kg | 108" 274cm | 42" 107cm | 4" 10cm |

ADA Transfer Rails

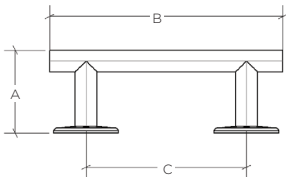
BENT RAILS WITH FLANGES



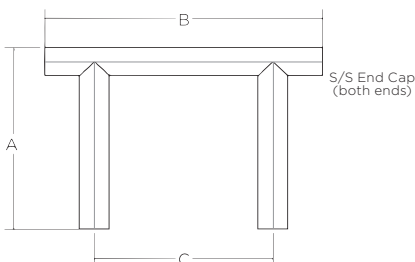
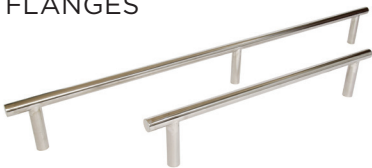
BENT RAILS WITHOUT FLANGES



STRAIGHT RAILS WITH FLANGES



STRAIGHT RAILS WITHOUT FLANGES



- Tubing: 1.50" OD
- Wall Thickness: .120"
- Stainless Steel: 316L Marine Grade*
- Recommended anchor: AS-200B if not flanged (order separately)
- Recommended escutcheon: EP-150 if not flanged (order separately)
- Flanged models include mounting hardware (3/8-16 UNC anchor bolts)
- More transfer and exercise rails on page 102
- Sold as a single rail

* Minimum requirement for salt pools is 316L Marine Grade

TRANSFER GRAB RAIL WITH FLANGES - MARINE GRADE

| Part No. | Description | A | B | C | Weight | Shipping | | |
|----------|-------------------|-------|-----|-------|--------------|-------------|------------|------------|
| | | | | | | Length | Width | Height |
| EB-12A | 12" Rail | 5.75" | 12" | 7.5" | 6 lbs 3kg | 18" 46cm | 6" 15cm | 4" 10cm |
| EB-14A | 14" Rail | 5.75" | 14" | 9.5" | 6 lbs 3kg | 18" 46cm | 6" 15cm | 4" 10cm |
| EB-16A | 16" Rail | 5.75" | 16" | 11.5" | 6 lbs 3kg | 18" 46cm | 6" 15cm | 4" 10cm |
| EB-18A | 18" Rail | 5.75" | 18" | 13.5" | 7 lbs 3kg | 18" 46cm | 6" 15cm | 4" 10cm |
| 60-718 | Mounting Hardware | 5.75" | | | 2 lbs 1kg | 18" 46cm | 3" 8cm | 4" 10cm |

- No SealedSteel or Powder-Coated on flanged models.

TRANSFER GRAB RAIL - ANCHORS

| Part No. | Description | A | B | C | Weight | Shipping | | |
|----------|-------------|-------|-----|-------|--------------|-------------|-------------|-----------|
| | | | | | | Length | Width | Height |
| EB-12B | 12" Rail | 5.75" | 10" | 8.5" | 5 lbs 2kg | 11" 28cm | 11" 28cm | 3" 8cm |
| EB-14B | 14" Rail | 5.75" | 12" | 10.5" | 5 lbs 2kg | 13" 33cm | 11" 28cm | 3" 8cm |
| EB-16B | 16" Rail | 5.75" | 14" | 12.5" | 5 lbs 2kg | 15" 38cm | 11" 28cm | 3" 8cm |
| EB-18B | 18" Rail | 5.75" | 16" | 14.5" | 6 lbs 2kg | 17" 43cm | 11" 28cm | 3" 8cm |

STRAIGHT TRANSFER RAILS WITH FLANGES - MARINE GRADE

| Part No. | Description | A | B | C | Weight | Shipping | | |
|----------|-------------------|-------|-----|-----|--------------|-------------|-------------|------------|
| | | | | | | Length | Width | Height |
| TR-12A | 12" Rail | 5.75" | 12" | 7" | 6 lbs 2kg | 18" 45cm | 16" 40cm | 4" 10cm |
| TR-14A | 14" Rail | 5.75" | 14" | 9" | 7 lbs 3kg | 18" 45cm | 16" 40cm | 4" 10cm |
| TR-16A | 16" Rail | 5.75" | 16" | 11" | 7 lbs 3kg | 18" 45cm | 16" 40cm | 4" 10cm |
| TR-18A | 18" Rail | 5.75" | 18" | 13" | 7 lbs 3kg | 18" 45cm | 6" 40cm | 4" 10cm |
| 60-718 | Mounting Hardware | 5.75" | | | 2 lbs 1kg | 3" 8cm | 3" 8cm | 4" 10cm |

- No SealedSteel or Powder-Coated on flanged models.

STRAIGHT TRANSFER RAILS - ANCHORS

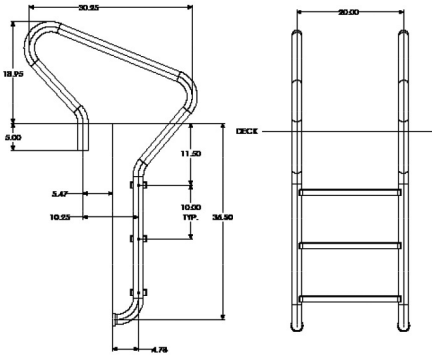
| Part No. | Description | A | B | C | Weight | Shipping | | |
|----------|-------------|-------|-----|-----|--------------|-------------|-------------|-----------|
| | | | | | | Length | Width | Height |
| TR-12B | 12" Rail | 9.75" | 12" | 7" | 6 lbs 2kg | 13" 33cm | 11" 28cm | 3" 8cm |
| TR-14B | 14" Rail | 9.75" | 14" | 9" | 6 lbs 2kg | 15" 38cm | 11" 28cm | 3" 8cm |
| TR-16B | 16" Rail | 9.75" | 16" | 11" | 6 lbs 2kg | 17" 43cm | 11" 28cm | 3" 8cm |
| TR-18B | 18" Rail | 9.75" | 18" | 13" | 6 lbs 3kg | 19" 48cm | 11" 28cm | 3" 8cm |





Camelback Ladder

- Tubing: 1.90" OD
- Wall Thickness: .049"
- Stainless Steel: 304
- Treads: LTDF-101-R Plastic (Econoline) or LTDF-103-R Stainless Steel (Elite)
- Bends: 4" Radius
- Recommended anchors: AS-100B (order separately)
- Recommended escutcheon: EP-100F (order separately)



| Part No. | Description | Shipping | | | |
|----------|--------------------------|----------------|--------------|-------------|-----------|
| | | Weight | Length | Width | Height |
| CBL-103E | 3-Step Ladder, Econoline | 27 lbs 12kg | 59" 150cm | 39" 99cm | 2" 5cm |
| CBL-103S | 3-Step Ladder, Elite | 32 lbs 14kg | 59" 150cm | 39" 99cm | 2" 5cm |

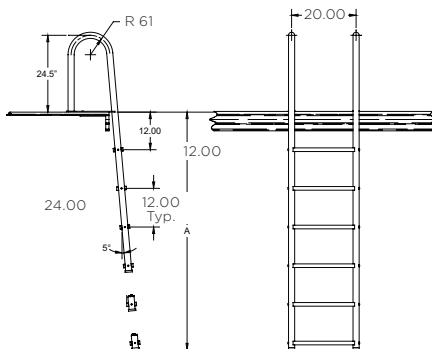
Frames extend 6.5" from the pool wall. Frame is secured to the pool deck with two anchor sockets, 5.5" from the pool wall on 20" centers (Elite model) or 19" centers (Econoline model). The lower end of the frame is bent to meet the pool wall and fitted with two white rubber bumpers (WRB-100A)



Dock Ladder

- Tubing: 1.90" OD
- Wall Thickness: .065"
- Stainless Steel: 304 or 316L Marine Grade* (add - MG to part number)
- Treads: LTDF-103-R Stainless Steel
- Bends: 4" Radius

* Minimum requirement for salt pools is 316L Marine Grade



| Part No. | Description | Shipping | | | |
|----------|---------------|----------------|--------------|-------------|-----------|
| | | Weight | Length | Width | Height |
| LLS-4 | 4-Step Ladder | 60 lbs 27kg | 82" 208cm | 28" 71cm | 2" 5cm |
| LLS-5 | 5-Step Ladder | 65 lbs 29kg | 90" 229cm | 28" 71cm | 2" 5cm |
| LLS-6 | 6-Step Ladder | 70 lbs 32kg | 98" 249cm | 28" 71cm | 2" 5cm |

The keyhole tie down plate (1/4" x 2" x 15") allows the ladder to be easily locked and unlocked from the deck. Mounting bolts are not included but require 3/8" x 4" long bolt.

May be available in Powder-Coated finishes. Please reach out to CustomerCare@SRSmith.com to confirm the color and finish availability.

Dade County Ladder

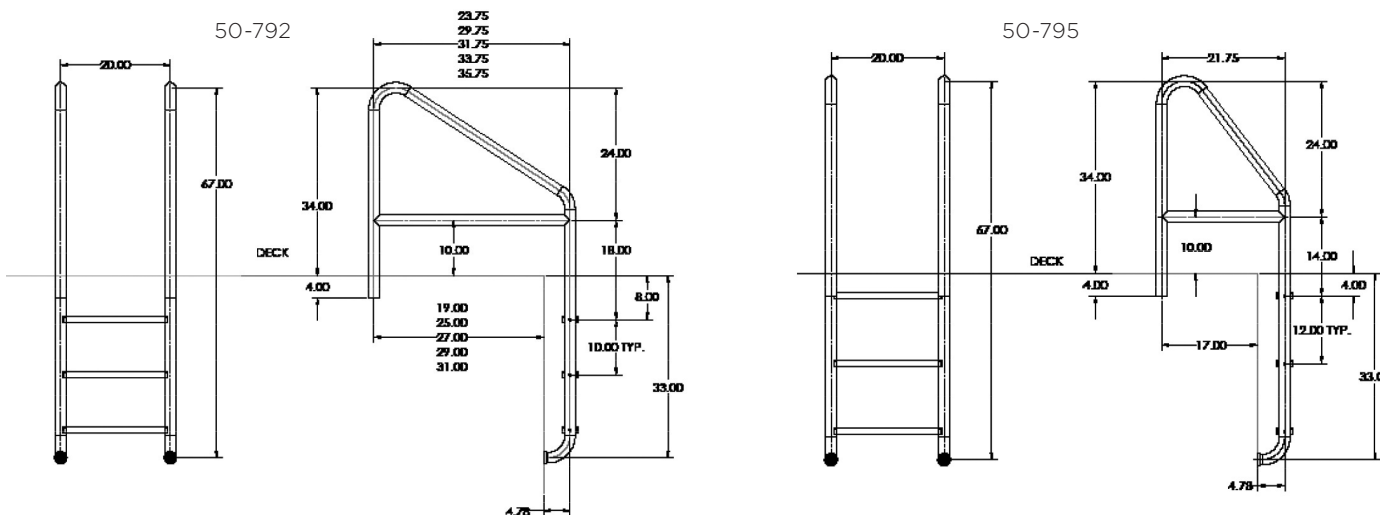


- Tubing: 1.90" OD
- Wall Thickness: .049"
- Stainless Steel: 304 or 316L Marine Grade* (add -MG to part number)
- Treads: LTDF-101-R Plastic (Econoline) or LTDF-103-R Stainless Steel (Elite)
- Bends: 4" Radius
- Recommended anchors: AS-100B (order separately)
- Recommended escutcheon: EP-100F (order separately)

* Minimum requirement for salt pools is 316L Marine Grade

| Econoline | Description | Weight | Shipping | | |
|---------------|---|----------------|----------|-------|--------|
| | | | Length | Width | Height |
| 50-792E-24 | 24" 3-Step Rollout w/ Crossbrace, Econoline | 32lbs 14kg | | | |
| 50-792S-24 | 24" 3-Step Rollout w/ Crossbrace, Elite | 34lbs 15kg | | | |
| 50-792E-30 | 30" 3-Step Rollout w/ Crossbrace, Econoline | 34lbs 15kg | | | |
| 50-792S-30 | 30" 3-Step Rollout w/ Crossbrace, Elite | 36 lbs 16kg | 78" | 42" | 2" |
| 50-792E-32-MG | 32" 3-Step Rollout w/ Crossbrace, Econoline | 34lbs 15kg | 198cm | 107cm | 5cm |
| 50-792S-30 | 32" 3-Step Rollout w/ Crossbrace, Elite | 36lbs 16kg | | | |
| 50-792E-36 | 36" 3-Step Rollout w/ Crossbrace, Econolne | 40lbs 18kg | | | |
| 50-792S-36 | 36" 3-Step Rollout w/ Crossbrace, Elite | 42lbs 20kg | | | |
| 50-795E | 22" 3-Step w/ Crossbrace, Econoline | 35lbs 16kg | 71" | 29" | 2" |
| 50-795S | 22" 3-Step w/ Crossbrace, Elite | 37lbs 17kg | 180cm | 74cm | 5cm |

Frames extend 4.5" from the pool wall. Frame is secured to the pool deck with two anchor sockets on 20" centers (Elite model) or 19" centers (Econoline model). The lower end of the frame is bent to meet the pool wall and fitted with two white rubber bumpers (WRB-100A).



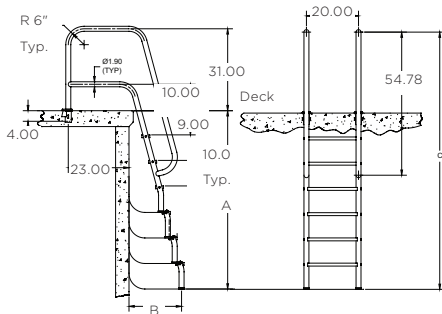
May be available in Powder-Coated finishes. Please reach out to CustomerCare@SRSmith.com to confirm the color and finish availability.



Easy-Out Therapeutic Ladder

- Tubing: 1.90" OD
- Wall Thickness: .065"
- Stainless Steel: 304 or 316L Marine Grade* (add -MG to part number)
- Treads: LTDF-105-R Stainless Steel
- Bends: 4" Radius
- Recommended anchor: AS-100B (order separately)
- Recommended escutcheon: EP-100F (order separately)

* Minimum requirement for salt pools is 316L Marine Grade



| Econoline | Description | Weight | Length | Shipping | |
|-----------|---------------|---------------|---------------|--------------|------------|
| | | | | Width | Height |
| TL-3B | 3-Step Ladder | 35lbs 16kg | 77" 196cm | 41" 104cm | 4" 10cm |
| TL-4C | 4-Step Ladder | 41lbs 18kg | 82" 208cm | 41" 104cm | 4" 10cm |
| TL-5D | 5-Step Ladder | 47lbs 21kg | 92" 234cm | 41" 104cm | 4" 10cm |
| TL-6E | 6-Step Ladder | 55lbs 25kg | 105" 267cm | 41" 104cm | 4" 10cm |

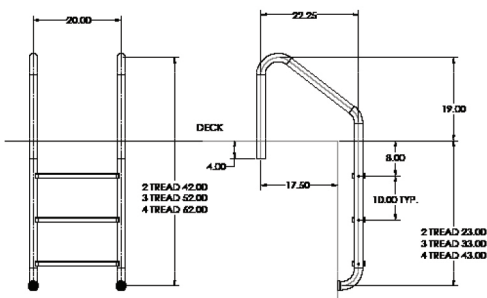
Frame is secured to the pool deck with two anchor sockets on 20" centers. The lower end of the frame rests on the pool floor and is fitted with two white rubber bumpers (WRB-100A)



Vinyl-Liner Economy Ladder

- Tubing: 1.90" OD
- Wall Thickness: .049"
- Stainless Steel: 304 or 316L Marine Grade* (add -MG to part number)
- Treads: LTDF-101-R Plastic (Econoline) or LTDF-103-R Stainless Steel (Elite)
- Bends: 4" Radius
- Recommended anchors: AS-100B (order separately)
- Recommended escutcheon: EP-100F (order separately)

* Minimum requirement for salt pools is 316L Marine Grade



| Econoline | Description | Weight | Length | Width | Shipping |
|-----------|--------------------------|----------------|--------|-------|-----------|
| | | | | | Height |
| VLLS-102E | 2-Step Ladder, Econoline | 21 lbs 10kg | | | |
| VLLS-102S | 2-Step Ladder, Elite | 23 lbs 10kg | 61" | 29" | 2" 5cm |
| VLLS-103E | 3-Step Ladder, Econoline | 23 lbs 10kg | 155cm | 74cm | |
| VLLS-103S | 3-Step Ladder, Elite | 25 lbs 11kg | | | |
| VLLS-104E | 4-Step Ladder, Econoline | 24 lbs 11kg | 66" | 29" | 2" 5cm |
| VLLS-104S | 4-Step Ladder, Elite | 27 lbs 12kg | 168cm | 74cm | |

Frames extend 5.5" from the pool wall. Frame is secured to the pool deck with two anchor sockets on 20" centers (Elite model) or 19" centers (Econoline model). The lower end of the frame is bent to meet the pool wall and fitted with two white rubber bumpers (WRB-100A)

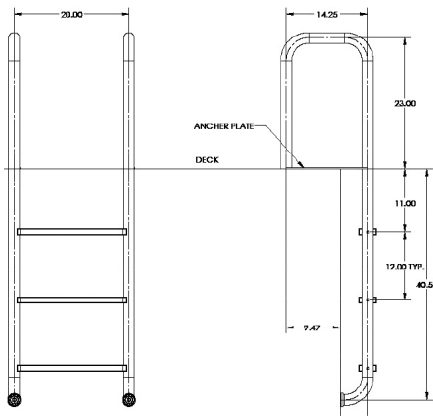
May be available in Powder-Coated finishes. Please reach out to CustomerCare@SRSmith.com to confirm the color and finish availability.



On-Ground Ladder

- Tubing: 1.90" OD
- Wall Thickness: .049"
- Stainless Steel: 304 or 316L Marine Grade* (add -MG to part number)
- Treads: LTDF-101-R Plastic (Econoline) or LTDF-103-R Stainless Steel (Elite)
- Bends: 4" Radius

* Minimum requirement for salt pools is 316L Marine Grade



| Econoline | Description | Shipping | | | |
|------------|---|----------|--------|-------|--------|
| | | Weight | Length | Width | Height |
| OGL-3E-100 | 3-Step Ladder (66" Total Height), Econoline | | | | |
| OGL-3S-100 | 3-Step Ladder (66" Total Height), Elite | 27 lbs | 69" | 16" | 2" |
| OGL-3E-101 | 3-Step Ladder (61" Total Height), Econoline | 12kg | 175cm | 41cm | 5cm |
| OGL-3S-101 | 3-Step Ladder (61" Total Height), Elite | | | | |

Mounting bolts are not included but require 3/8" x 4" long bolt.

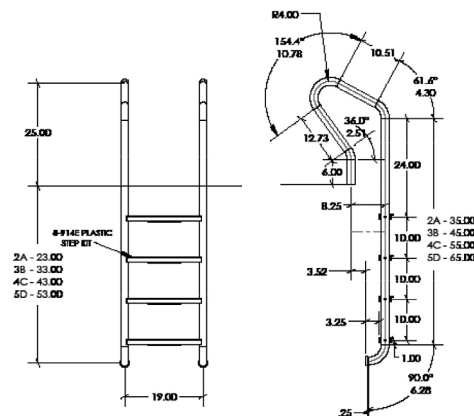
Frames extend 5 1/2" from the pool wall. Frame is secured to the pool deck with two anchor sockets on 20" centers (Elite model) or 19" centers (Econoline model). The lower end of the frame is bent to meet the pool wall and fitted with two white rubber bumpers (WRB-100A).



Parallel-Look Ladder

- Tubing: 1.90" OD
- Wall Thickness: .049"
- Stainless Steel: 304 or 316L Marine Grade* (add -MG to part number)
- Treads: LTDF-101-R Plastic (Econoline) or LTDF-103-R Stainless Steel (Elite)
- Bends: 4" Radius
- Options: Powder-coating (rails only)
- Recommended anchors: AS-100B (order separately)
- Recommended escutcheon: EP-100F (order separately)

* Minimum requirement for salt pools is 316L Marine Grade



| Part No. | Description | Shipping | | | |
|------------|---------------|----------|--------|-------|--------|
| | | Weight | Length | Width | Height |
| PLL-12E-3B | 3-step ladder | 24 lbs | 65" | 28" | 2" |
| PLL-12S-3B | 3-step ladder | 10kg | 165cm | 71cm | 5cm |

Mounting bolts are not included but require 3/8" x 4" long bolt.

Frames extend 5.5" from the pool wall. Frame is secured to the pool deck with two anchor sockets on 20" centers (Elite model) or 19" centers (Econoline model). The lower end of the frame is bent to meet the pool wall and fitted with two white rubber bumpers (WRB-100A).

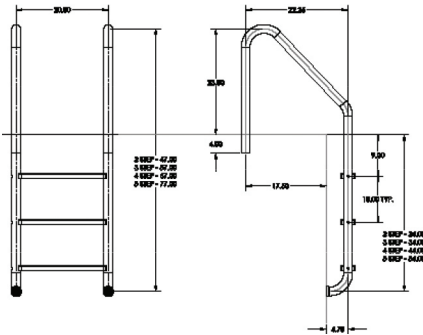
May be available in Powder-Coated finishes. Please reach out to CustomerCare@SRSmith.com to confirm the color and finish availability.



Residential Ladder

- Tubing: 1.90" OD
- Wall Thickness: .049"
- Stainless Steel: 304 or 316L Marine Grade* (add -MG to part number)
- Treads: LTDF-101-R Plastic (Econoline) or LTDF-103-R Stainless Steel (Elite)
- Bends: 4" Radius
- Options: Powder-coating (rails only)
- Recommended anchors: AS-100B (order separately)
- Recommended escutcheon: EP-100F (order separately)

*Minimum requirement for salt pools is 316L Marine Grade



| Part No. | Description | Weight | Shipping | |
|------------|--------------------------|---------------|-------------|------------------------|
| | | | Length | Width |
| RLF-24E-2A | 2-step ladder, Econoline | 21 lbs / 10kg | 60" / 152cm | 28" / 71cm 2" / 5cm |
| RLF-24S-2A | 2-step ladder, Elite | 22 lbs / 10kg | 60" / 152cm | |
| RLF-24E-3B | 3-step ladder, Econoline | 24 lbs / 11kg | 65" / 165cm | |
| RLF-24S-3B | 3-step ladder, Elite | 25 lbs / 11kg | 65" / 165cm | |
| RLF-24E-4C | 4-step ladder, Econoline | 29 lbs / 13kg | 82" / 208cm | |
| RLF-24S-4C | 4-step ladder, Elite | 30 lbs / 14kg | 82" / 208cm | |
| RLF-24E-5D | 5-step ladder, Econoline | 32 lbs / 14kg | 90" / 229cm | |
| RLF-24S-5D | 5-step ladder, Elite | 33 lbs / 15kg | 90" / 229cm | |

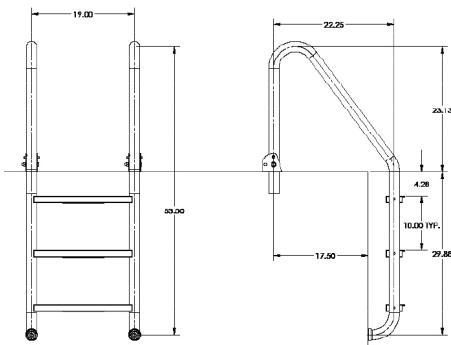
Frames extend 5.5" from the pool wall. Frame is secured to the pool deck with two anchor sockets on 20" centers (Elite model) or 19" centers (Econoline model). The lower end of the frame is bent to meet the pool wall and fitted with two white rubber bumpers (WRB-100A)



Snap-Lok Ladder

- Tubing: 1.90" OD
- Wall Thickness: .049"
- Stainless Steel: 304 or 316L Marine Grade* (add -MG to part number)
- Treads: LTDF-101-R Plastic (Econoline) or LTDF-103-R Stainless Steel (Elite)
- Bends: 4" Radius
- Recommended anchors: AS-100B (order separately)
- Recommended escutcheon: EP-100F (order separately)
- Stainless-steel hinge brackets (60-713) are bolted to ladder frames with stainless-steel bolts and acorn nuts.

*Minimum requirement for salt pools is 316L Marine Grade



| Econoline | Description | Weight | Shipping | | |
|------------|--------------------------|----------------|----------|-------|--------|
| | | | Length | Width | Height |
| SLF-24E-3B | 3-Step Ladder, Econoline | 24 lbs / 11 kg | 61" | 29" | 2" |
| SLF-24S-3B | 3-Step Ladder, Elite | 25 lbs / 11 kg | 155cm | 74cm | 5cm |

Frames extend 5.5" from the pool wall. Frame is secured to the pool deck with two anchor sockets on 20" centers (Elite model) or 19" centers (Econoline model). The lower end of the frame is bent to meet the pool wall and fitted with two white rubber bumpers (WRB-100A). We do not recommend powder-coating or vinyl coating.

May be available in Powder-Coated finishes. Please reach out to CustomerCare@SRSmith.com to confirm the color and finish availability.



Pool **Better**[™]

A Fluidra Brand | SRSmith.com | 1.800.822.7933

©2024 Fluidra. All rights reserved. The trademarks and trade names used herein are the property of their respective owners. 98859_SL

