

**SR**Smith.



# STARTING BLOCKS

OFFICIAL  
POOL  
EQUIPMENT  
SUPPLIER



# Starting Blocks

## Win At the Start

Whether you are running an elite swimming program or teaching beginning competitive swimmers, S.R.Smith® has a starting block for your facility. Our elite Velocity series comes in single and dual post models, both of which feature a FINA approved, adjustable track start wedge.

## Blocks for Everyone

Every aquatic facility has different requirements, which is why we've developed options to accommodate a variety of pool designs. Long reach platforms are ideal for pools with wide gutter configurations, or pools with a lot of electrical timing equipment on the deck. Side mount platforms are ideal for narrow bulkheads or decks where space is particularly limited. We also have low profile models that are well-suited to facilities that cater to new or young competitors.



RockSolid® Anchor

## RockSolid Anchor

The secret to stability is our proprietary RockSolid anchor, an essential starting block component ensuring reliable, solid starts. Available for most S.R.Smith single or dual post models, this innovative, expandable wedge assembly exerts continuous, even pressure on platform posts to eliminate starting block movement or wobble.

## Show Your Colors

Our platforms are available in four standard powder-coated frame colors with custom frame colors available. Most footboards and steps come with white Sand Tread, with an option to upgrade with custom colors and logos. The new Velocity series is available with TrueTread®, an innovative footboard surface that provides a resilient, anti-slip footing. Many models are available with side or back mounting steps, with a long reach styles and a variety of backstroke start handle designs.



1. Angled Handle



2. Horizontal Handle



3. U-Handle



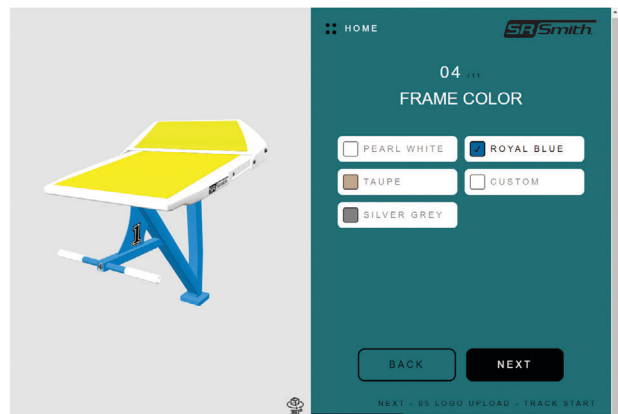
4. H-Handle

## Quoting and Specifying Made Easy

S.R.Smith engineering specifications, Revit, and AutoCAD files are simple to add to facility designs and bid proposals available online at

[SRSmith.com/SpecifierCentral](https://SRSmith.com/SpecifierCentral).

Use our online "Design Your Block" tool to see your starting block come to life. Choose from different treads, colors, and more, available on all starting block product pages.



## S.R.Smith Starting Blocks At-A-Glance

S.R.Smith offers a wide range of starting block styles; many can be customized to a specific setback range, height and color.



Features & Products	Velocity Single or Dual Post	Velocity Advantage	Velocity VR	Legacy Series	Legacy II
Track Start Wedge	●	●	●		
Single & Dual Post Models	●			●	
Customizable Setback & Height Ranges	●			●	
Side Handle Option	●		●	●	
Proprietary RockSolid® Anchor	●			●	●
Four Backstroke Handle Options	●		●	●	
SolidStart Grip	●	●	●	●	
Custom Tread Color	●	●	●	●	
TrueTread®	●	●	●		
Custom Logo	●	●	●	●	
Custom Frame Color	●		●	●	
Meets All Major Swimming Regulations	●	●	●	●	●

\*No custom logos on Velocity with TrueTread



Block shown with custom color on frame with logo on footboard and back of Track Start wedge

### Show Off Your Colors

Most of our platform frames are available in four powder-coated colors. We also offer customization options for facilities that want to show off their team spirit with logos or custom colors on the footboard and frame. Velocity blocks also have the option of the unique TrueTread® surface.

#### STANDARD FRAME COLORS



PEARL WHITE



TAUPE



SILVER GRAY



ROYAL BLUE

Due to printing technology actual color may differ

# Velocity Single Post Starting Blocks



The fiberglass footboard has outstanding strength as well as a sleek, uniform, hi-tech appearance. The powder-coated, stainless-steel frame is secured to the pool deck with a proprietary RockSolid® anchor to eliminate platform movement.

- Available with TrueTread® or Sand Tread
- Colorado & Daktronics timing systems compatible
- Track start wedge (5 positions) easily tucks under footboard
- Optional side handles (additional charge)
- Proprietary RockSolid anchoring system (NOT INCLUDED)
- Retrofittable onto existing S.R.Smith Legacy frames
- Custom colors and logos available on Sand Tread footboards
- Meets FINA, NCAA, NFSHSA, USMS, USAS competition pool rules and guidelines

Can be ordered without the track start wedge, but can be added later.

## Velocity Single Post with Track Start

Part No.	Description
<b>TrueTread Models</b>	
VELO-TS-TA	Standard Single Post
VELOSM-TS-TA	Side Mount Single Post
VELOMR-TS-TA	Mid-Range Single Post
VELOLR-TS-TA	Long Reach Single Post
<b>Sand Tread Models</b>	
VELO-TS-SA	Standard Single Post
VELOSM-TS-SA	Side Mount Single Post
VELOMR-TS-SA	Mid-Range Single Post
VELOLR-TS-SA	Long Reach Single Post

## Velocity Single Post without Track Start

Part No.	Description
<b>TrueTread Models</b>	
VELO-TA	Standard Single Post
VELOSM-TA	Side Mount Single Post
VELOMR-TA	Mid-Range Single Post
VELOLR-TA	Long Reach Single Post
<b>Sand Tread Models</b>	
VELO-SA	Standard Single Post
VELOSM-SA	Side Mount Single Post
VELOMR-SA	Mid-Range Single Post
VELOLR-SA	Long Reach Single Post

## TrueTread® Colors

Provides a resilient, anti-slip footing

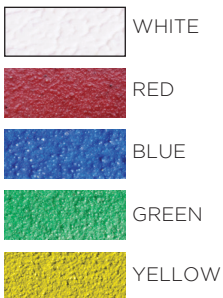


## Setback Ranges

Part No.	Setback* Range	Footboard Dimensions
Velocity Standard & Side Mount	21" to 26"	28" x 32"
Velocity Mid-Range	27" to 32"	28" x 32"
Velocity Long Reach	33" to 40"	28" x 32"

\*Setback is to center of the anchor

## Sand Tread Colors



## Components/Accessories

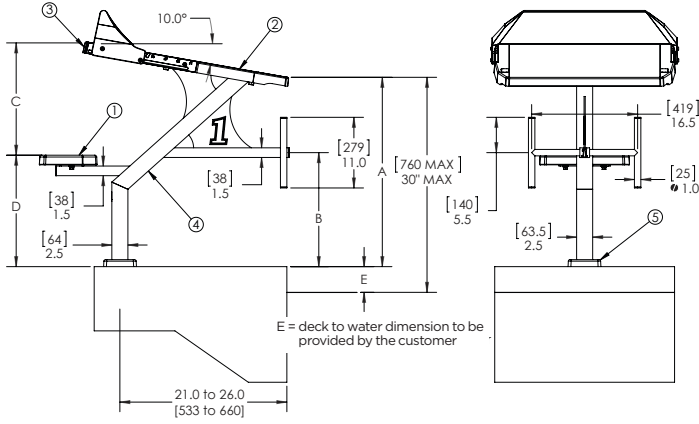
Part No.	Description	Part No.	Description
8-620TS-T	TrueTread footboard & track start	4-620TS-S	Sand Tread track start upgrade
8-620TS-S	Sand Tread footboard & track start	4-175A-R	Side Handles
8-620-T	TrueTread footboard w/o track start	BLCVR-1317-WHT	Safety Cover, white
8-620-S	Sand Tread footboard w/o track start	27-107	RockSolid Anchor
4-620TS-T	TrueTread track start upgrade kit	20-191	Safety Cap for Anchor

## Frame Colors

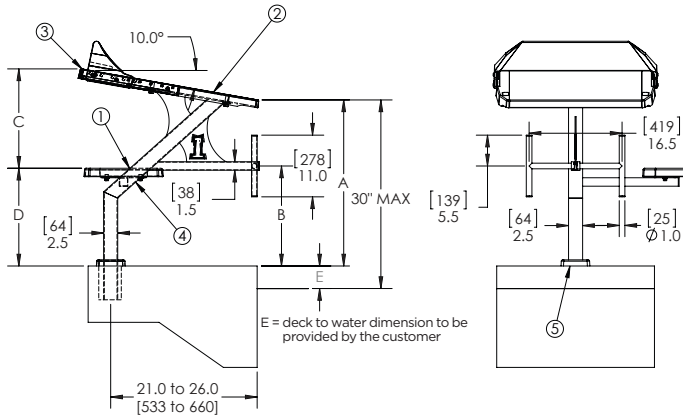


Custom colors and logo available for an additional charge

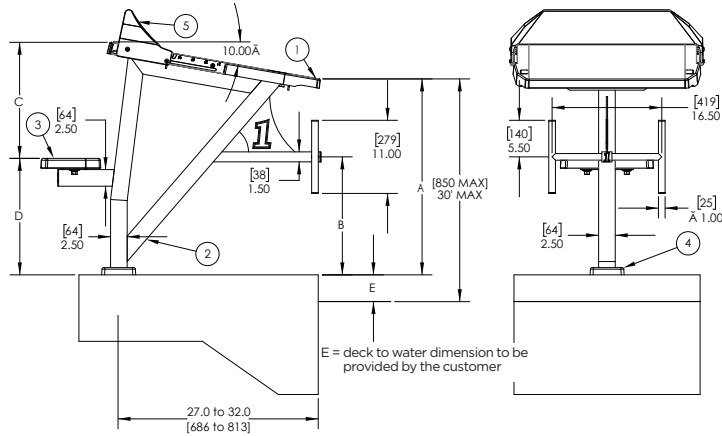
### Standard



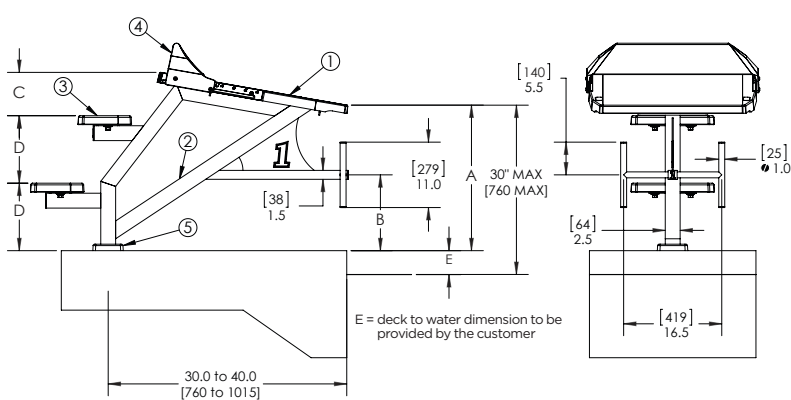
### Side Mount



### Mid-Range



### Long Reach



For drawings & specifications  
please refer to  
[SRSmith.com/SpecfierCentral](http://SRSmith.com/SpecfierCentral)

# Velocity Dual Post Starting Blocks

Velocity dual post starting blocks are ideal for elite, competitive aquatic facilities.

- Fiberglass footboard has outstanding strength and sleek, hi-tech appearance.
- Frames made from commercial grade, 1.90" stainless steel, powder-coated for additional protection
- Track start wedge (5 positions) easily tucks under footboard
- Available with TrueTread® or Sand Tread
- Patented RockSolid® anchoring system available (NOT INCLUDED)
- Custom colors and logos available on Sand Tread footboards
- Optional side handles available
- Colorado & Daktronics timing systems compatible
- Meets FINA, USA Swimming, NCAA, NFSH and USMS competition pool rules and guidelines



Velocity Dual Post Standard



Velocity Dual Post Long Reach

Can be ordered without the track start wedge, but can be added later.

## Velocity Dual Post with Track Start

Part No.	Description
<b>TrueTread Models</b>	
VELO-DP-TS-TA	Standard Dual Post
VELOLR-DP-TS-TA	Long Reach Dual Post
<b>Sand Tread Models</b>	
VELO-DP-TS-SA	Standard Dual Post
VELOLR-DP-TS-SA	Long Reach Dual Post

## Velocity Dual Post without Track Start

Part No.	Description
<b>TrueTread Models</b>	
VELO-DP-TA	Standard Dual Post
VELOLR-DP-TA	Long Reach Dual Post
<b>Sand Tread Models</b>	
VELO-DP-SA	Standard Dual Post
VELOLR-DP-SA	Long Reach Dual Post

- RockSolid Anchor required with Long Reach models
- Various escutcheon styles available

## TrueTread® Colors

Provides a resilient, anti-slip footing



## Setback Ranges

Part No.	Setback* Range	Footboard Dimensions
Velocity Dual Post Standard	18" to 26"	28" x 32"
Velocity Dual Post Long Reach	27" to 36"	28" x 32"

\*Setback is to center of the anchor

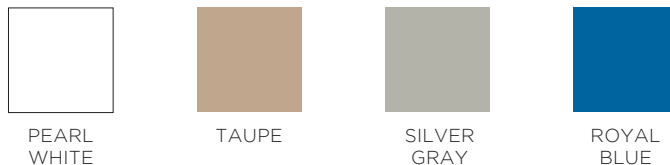
## Sand Tread Colors



## Accessories

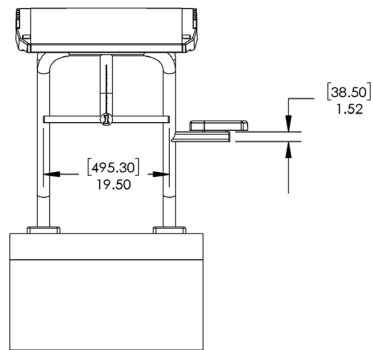
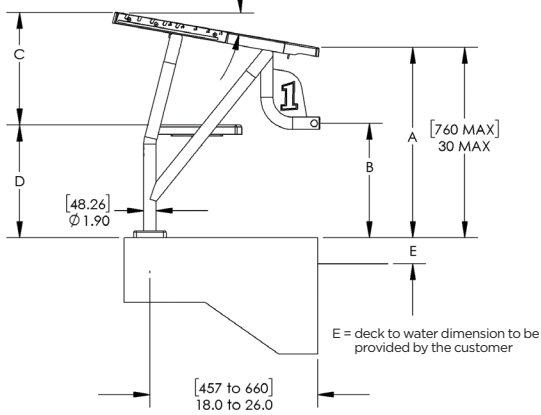
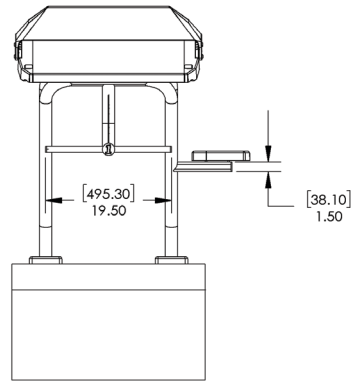
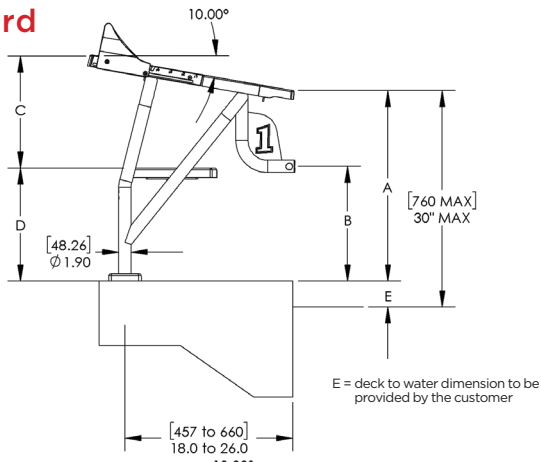
Part No.	Description	Part No.	Description
8-620TS-T	TrueTread footboard & track start	4-620TS-S	Sand Tread track start upgrade
8-620TS-S	Sand Tread footboard & track start	4-175A	Side Handles
8-620-T	TrueTread footboard w/o track start	27-108	Dual Post RockSolid Anchor
8-620-S	Sand Tread footboard w/o track start	20-192	Safety Cap for Dual Post Anchor
4-620TS-T	TrueTread track start upgrade kit		

## Frame Colors

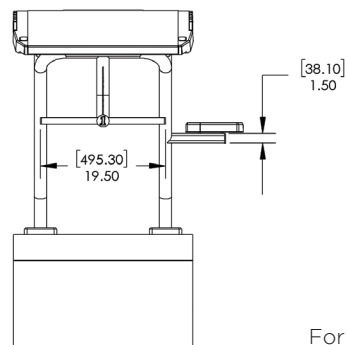
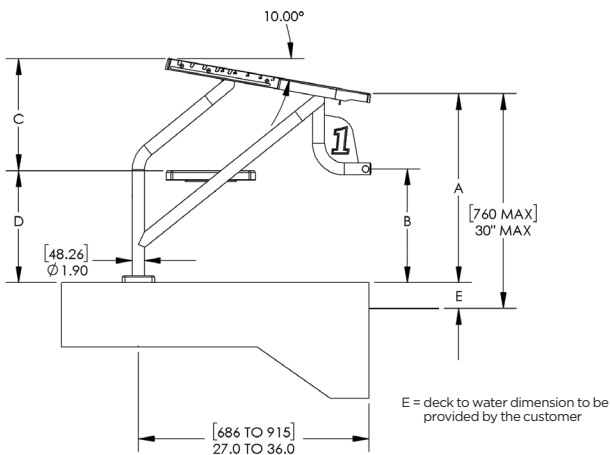
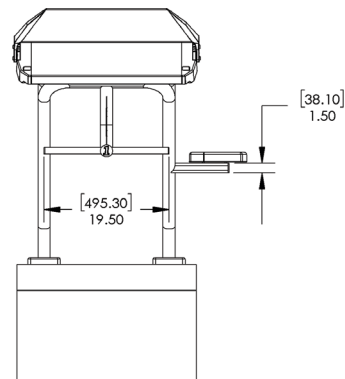
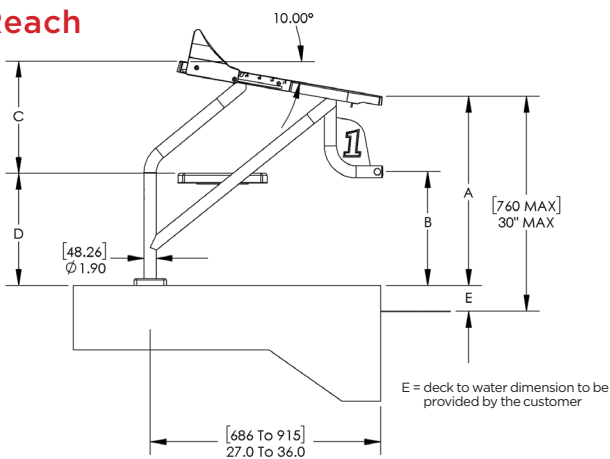


Custom colors and logo available for an additional charge

## Standard



## Long Reach



For drawings & specifications  
please refer to  
[SRSmith.com/SpecifierCentral](http://SRSmith.com/SpecifierCentral)







# Velocity Advantage Starting Block

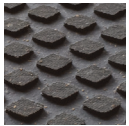
Velocity Advantage starting blocks feature strong fiberglass footboards with track start wedge on an HDPE composite base, particularly suitable for bulkheads.

- The marine grade HDPE composite base easily mounts to pool decks or bulkheads with minimal drilling
- 16" (41cm) height makes it well suited for bulkheads and end walls with 8" to 13.5" (20cm 42cm) deck-to-water heights
- The 28" x 32" (71cm x 81cm) footboard surface is available with TrueTread® or Sand Tread
- Track start wedge, adjustable to 5 positions, easily tucks under the footboard
- Integral backstroke start ledge is adjustable to five positions in accordance with FINA standards
- Three built in backstroke handholds - two center positions and one on each side
- Colorado & Daktronics timing system compatible
- Custom colors and logos available on Sand Tread footboards
- Meets FINA, NCAA, NFSHSA\*, USMS and USAS competition pool rules and regulations

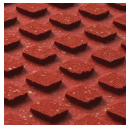
\*NFSHSA rules do not allow use of backstroke ledge

## TrueTread® Colors

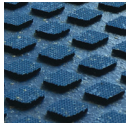
Provides a resilient, anti-slip footing



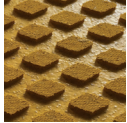
GRAY



RED



BLUE



YELLOW

## Sand Tread Colors



WHITE



RED



BLUE



GREEN



YELLOW

Custom colors and logo available for an additional charge

Part No.	Description	Shipping (Class 150)			
		Weight	Length	Width	Height
VELO-ADV-BK-T	Velocity Advantage with TrueTread®	117lbs 53kg	37" 94cm	34" 86cm	28" 71cm
VELO-ADV-BK-S	Velocity Advantage with Sand Tread	117lbs 53kg	37" 94cm	34" 86cm	28" 71cm

## Accessories

Part No.	Description
BLCVR-1317-WHT	Pyramid-Shaped Safety Cover
BLCVR VELO-WHT	Full Surface Safety Cover
BLCVR VELO-WHT-L	Full Surface Safety Cover w/ Lock
27-111	Anchoring Kit (sold separately)

For drawings & specifications please refer to [SRSmith.com/SpecifierCentral](http://SRSmith.com/SpecifierCentral)



Can be ordered without the track start wedge, which can be added later.

# Velocity VR (Varsity Retrofit) Starting Block

Velocity VR starting blocks are designed to replace existing S.R.Smith Varsity blocks, by fitting into the current deck anchors. No drilling is required. Velocity VR blocks provide an easy upgrade to elite, competitive starting blocks.

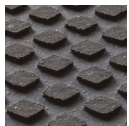
- Fiberglass footboard has outstanding strength and sleek, hi-tech appearance
- Frames made from commercial grade, 1.90" stainless steel, powder-coated for additional protection
- Track Start wedge (5 positions) easily tucks under footboard
- Available with TrueTread® or Sand Tread
- Available with left or right side step
- Four backstroke handle options
- Custom colors and logos available on Sand Tread footboards
- Colorado & Daktronics timing systems compatible
- Meets FINA, USA Swimming, NCAA, NFSH and USMS competition pool rules and guidelines



Velocity VR blocks are designed to replace S.R.Smith Varsity Starting blocks.

## TrueTread® Colors

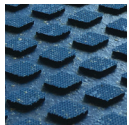
Provides a resilient, anti-slip footing



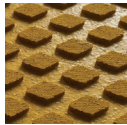
GRAY



RED



BLUE



YELLOW

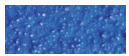
## Sand Tread Colors



WHITE



RED



BLUE



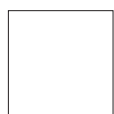
GREEN



YELLOW

Custom colors and logo available for an additional charge

## Frame Colors



PEARL WHITE



TAUPE



SILVER GRAY



ROYAL BLUE

## Part No. Description

with Track Start

VELO-VR-TS-TA TrueTread®

VELO-VR-TS-SA Sand Tread

without Track Start

VELO-VR-TA TrueTread®

VELO-VR-SA Sand Tread

## Setback Ranges

Part No.	Setback*	Footboard Dimensions
----------	----------	----------------------

Velocity VR Starting Block	26.5"	28" x 32"
----------------------------	-------	-----------

\*Setback is to center of the anchor

## Accessories

Part No.	Description
----------	-------------

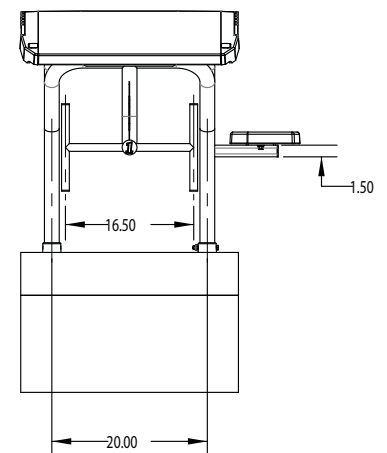
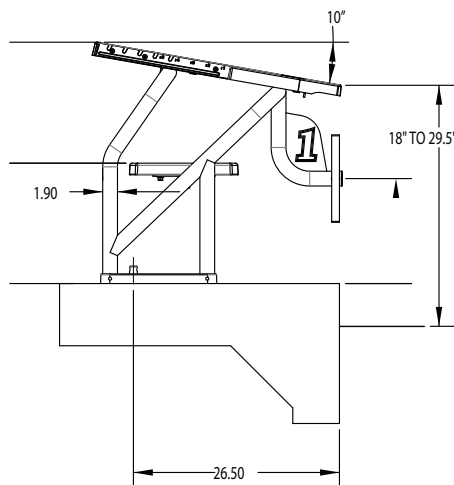
4-620TS-T	TrueTread track start upgrade kit
-----------	-----------------------------------

4-175A	Side Handles
--------	--------------

BLCVR-1317-WHT	Pyramid-Shaped Safety Cover
----------------	-----------------------------

BLCVR VELO-WHT	Full Surface Safety Cover
----------------	---------------------------

BLCVR VELO-WHT-L	Full Surface Safety Cover w/ Lock
------------------	-----------------------------------





S.R.Smith Varsity starting blocks have been the standard for decades at competitive swimming pools. Now, facilities can graduate to the Velocity VR. Designed to make upgrades easy and affordable, the Velocity VR does not require any deck drilling. Upgrades are as easy as 1, 2, 3!



### 1 REMOVE

- Unscrew existing bolts from the deck
- Remove block and clean the anchors



### 2 MEASURE

- Install Threaded Center Punches
- Align Velocity VR to the pool wall



### 3 REPLACE

- Drill a pilot hole in the anchor plate
- Secure Velocity VR with provided anchor bolts

**Learn more at [SRSmith.com/StartWithVelocity](https://www.srsmith.com/StartWithVelocity)**

# Legacy Single Post Starting Blocks

The Legacy single post models are ideal for highly competitive swimming facilities. The powder-coated, stainless-steel frame is secured to the pool deck with a proprietary RockSolid® anchor to eliminate platform movement.



Legacy Standard



Legacy Long Reach



Legacy Side Mount

- High-impact footboards with laminated cores reinforced with fiberglass in a gelcoat skin with a non-slip tread
- The 2.5" square, 304 stainless-steel tubing is powder-coated for added corrosion resistance
- Choose from 4 different backstroke handle designs
- Proprietary RockSolid anchoring system (NOT INCLUDED)
- Meets FINA, NCAA, NFSHSA, USMS, USAS competition pool rules and regulations
- New SolidStart Edge for enhanced hand grip is standard

Part No.	Description
LEGACY-SP-9999A	Legacy
LGCYL1-SP-9999A	Legacy Mid-Range
LGCYL2-SP-9999A	Legacy Long Reach
LSM-9999A	Legacy Side Mount

Number of steps (1 or 2) will vary depending on setback and height of starting platform.

Can be customized with team logos and colors for an additional charge. Call for quote.

## Setback Ranges

Part No.	Setback* Range	Footboard Dimensions
Legacy Standard & Side Mount	21" to 26"	24" x 32"
Legacy Mid-Range	27" to 32"	24" x 32"
Legacy Long Reach	33" to 40"	24" x 32"

\*Setback is to center of the anchor

## Sand Tread Colors

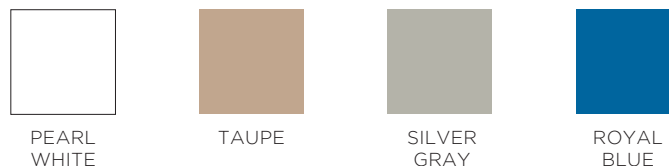


Custom colors and logo available for an additional charge

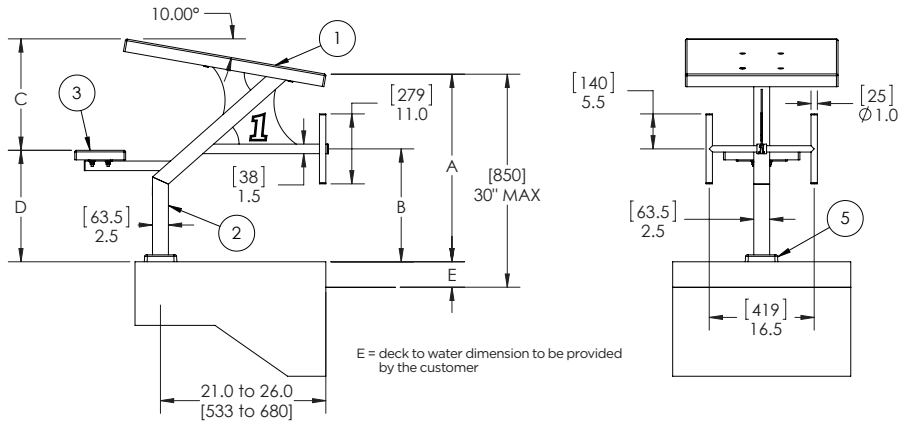
## Components

Part No.	Description
8-623B-R	Replacement Footboard (24"x32")
27-107	RockSolid Anchor
20-191	Safety Cap for Anchor
4-175-R	Side Handles

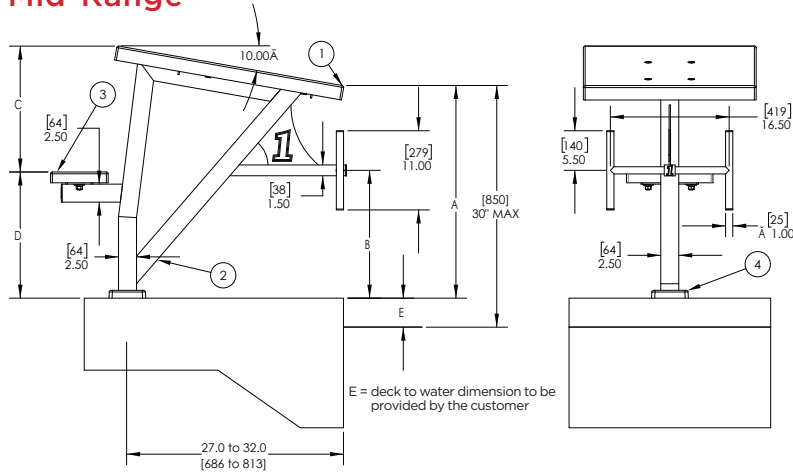
## Frame Colors



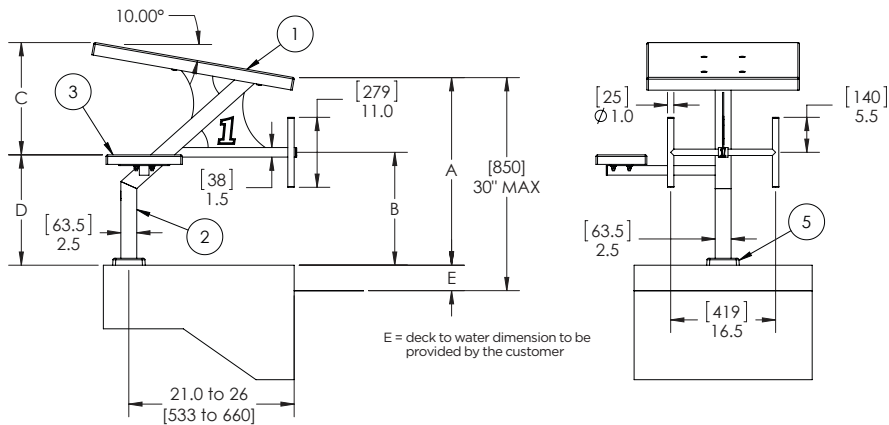
## Standard



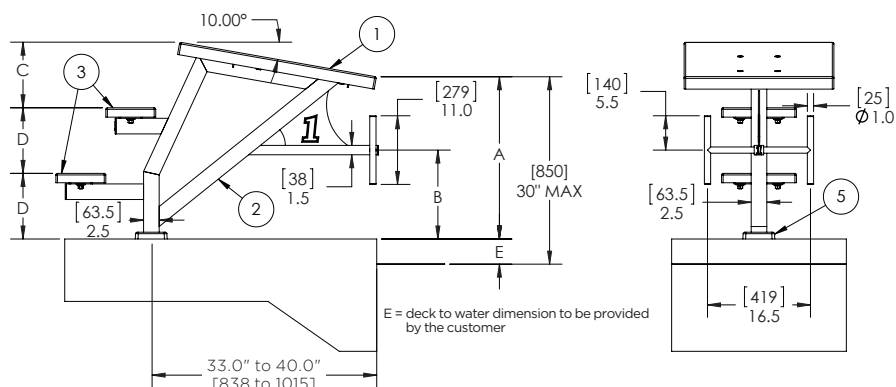
## Mid-Range



## Side Mount



## Long Reach



For drawings & specifications  
please refer to  
[SRSmith.com/SpecfierCentral](http://SRSmith.com/SpecfierCentral)

# Legacy Dual Post Starting Blocks

The Legacy dual post models are ideal for competitive swimming facilities.



Legacy Dual Post Standard

- High-impact footboards with laminated cores reinforced with fiberglass in a gelcoat skin with a non-slip tread
- Frames made from commercial grade, 1.90" stainless steel, powder-coated for additional protection
- Proprietary RockSolid® anchoring system (NOT INCLUDED)
- SolidStart Edge for enhanced hand grip is standard
- Optional side handles available
- Choose from 4 different backstroke handle designs
- Meets FINA, USA Swimming, NCAA, NFSH and USMS competition pool rules and guidelines



Legacy Dual Post Long Reach

Part No.	Description
LEGACY-DP-SP-9999A	Legacy Dual Post
LGCYL2-DP-SP-9999A	Legacy Dual Post Long Reach

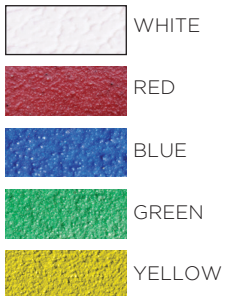
RockSolid Anchor required with Long Reach models. Various escutcheon styles available. Can be customized with team logos and colors for an additional charge. Call for quote.

## Setback Ranges

Part No.	Setback* Range	Footboard Dimensions
Legacy Standard	18" to 26"	24" x 32"
Legacy Long Reach	27" to 36"	24" x 32"

\*Setback is to center of the anchor

## Sand Tread Colors



Custom colors and logo available for an additional charge

## Components

Part No.	Description
8-623B-R	Replacement Footboard
27-108	RockSolid Dual Post Anchor
27-105	Standard Dual Post Anchor
4-170A-DP	Side Handles

## Frame Colors



# Legacy II Starting Blocks

The Legacy II is an economical choice for recreational swimming facilities.

- Footboard has a sanded tread for safety
- The 1.90", .145" wall 304 stainless-steel tubing is electropolished for added corrosion resistance
- Use with the dual post anchor assembly for easy installation
- Meets FINA, NCAA, NFSHSA, USMS, USAS and competition pool rules and regulations

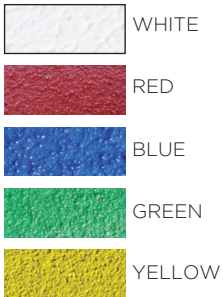


NOTE: Frame available in polished steel only

## Frame Color



## Sand Tread Colors



Custom colors and logo available for an additional charge

Part No.	Description
LEGACY IIA	Legacy II with anchor

Add A to the end of the part number to order without an anchor

## Setback Ranges

Part No.	Setback* Range	Height Off Deck	Footboard Dimensions
Legacy II	18"	17" to 29.5"	24" x 20"

\*Setback is to center of the anchor  
Height from deck edge to top front edge of the platform

## Components

Part No.	Description
27-105	Dual Post Anchor (standard)
27-108	RockSolid Dual Post Anchor
8-616B	Footboard (24"x20")

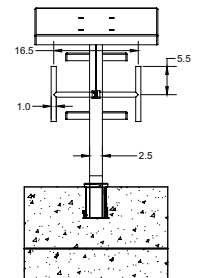
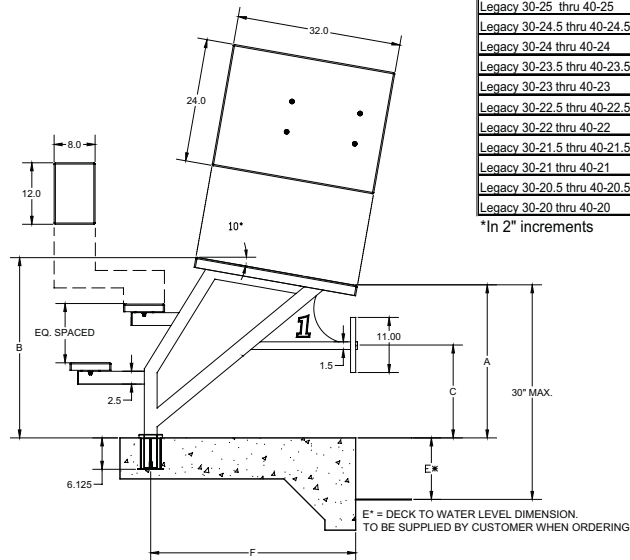
PART NUMBER	A	B	C	F*
Legacy 30-30 thru 40-30	30	35.00	18.00	30 thru 40
Legacy 30-29.5 thru 40-29.5	29.5	34.50	17.50	30 thru 40
Legacy 30-29 thru 40-29	29	34.00	17.00	30 thru 40
Legacy 30-28.5 thru 40-28.5	28.5	33.50	16.50	30 thru 40
Legacy 30-28 thru 40-28	28	33.00	16.00	30 thru 40
Legacy 30-27.5 thru 40-27.5	27.5	32.50	15.50	30 thru 40
Legacy 30-27 thru 40-27	27	32.00	15.00	30 thru 40
Legacy 30-26.5 thru 40-26.5	26.5	31.50	14.50	30 thru 40
Legacy 30-26 thru 40-26	26	31.00	14.00	30 thru 40
Legacy 30-25.5 thru 40-25.5	25.5	30.50	13.50	30 thru 40
Legacy 30-25 thru 40-25	25	30.00	13.00	30 thru 40
Legacy 30-24.5 thru 40-24.5	24.5	29.50	12.50	30 thru 40
Legacy 30-24 thru 40-24	24	29.00	12.00	30 thru 40
Legacy 30-23.5 thru 40-23.5	23.5	28.50	11.50	30 thru 40
Legacy 30-23 thru 40-23	23	28.00	11.00	30 thru 40
Legacy 30-22.5 thru 40-22.5	22.5	27.50	10.50	30 thru 40
Legacy 30-22 thru 40-22	22	27.00	10.00	30 thru 40
Legacy 30-21.5 thru 40-21.5	21.5	26.50	9.50	30 thru 40
Legacy 30-21 thru 40-21	21	26.00	9.00	30 thru 40
Legacy 30-20.5 thru 40-20.5	20.5	25.50	8.50	30 thru 40
Legacy 30-20 thru 40-20	20	25.00	8.00	30 thru 40

\*In 2" increments

Dual Post Anchor



RockSolid Dual Post Anchor



# Backstroke Start System & Trainer

Designed to help make backstroke starts faster and reduce the chance for slipping, the Backstroke Start System provides the option to easily add this capability to virtually any pool deck or starting platform configuration.



Backstroke Start System  
PART # BSS1000

## WORLD AQUATICS (FORMERLY FINA)

### Backstroke Ledge Requirements

- The ledge may be adjustable to 4cm above or 4cm below the water level
- The ledge is a minimum of 65cm in length
- The ledge must be 8cm in height, 2cm at the width with 10 degrees of slope

## Backstroke Start System

- Anti-slip backstroke ledge with raised diamond pattern
- Easily adjustable ledge height with one-handed operation from in or out of pool
- Durable HDPE frame to protect from harsh elements at either indoor or outdoor locations
- Three unique mounting options to secure device to most deck and block configurations
- Clear markings on spool to show height of ledge to water level for compliance
- FINA 2.10 compliant for competition

## 3 MOUNTING OPTIONS

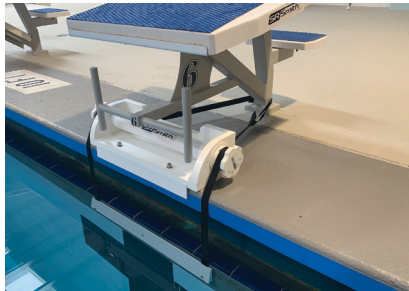
### In-Deck Anchoring Kit



PART # 13-600

Plastic anchor with grounding bolt, fastened with plastic-headed stainless-steel thumb screws

### Pool Wall Mounting Kit with Strap



PART # 13-601

Vinyl-coated 1/4" thick stainless-steel bracket with 10 foot long polyester strap and stainless-steel cam buckle

### Platform Post Mounting Kit



PART # 13-603

Vinyl-coated 1/4" thick stainless-steel plate and two brackets shaped to lock onto 2 inch square single post frames



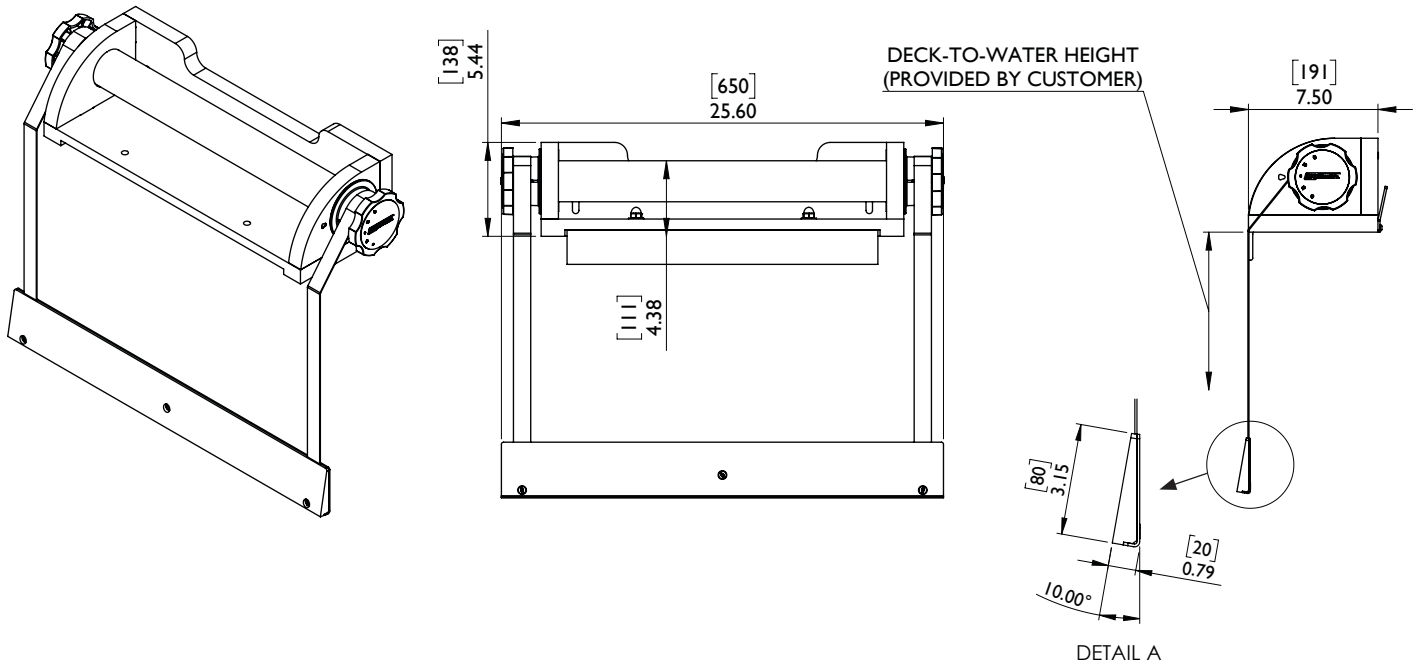
PART # 03-650T

## Backstroke Start Training Device

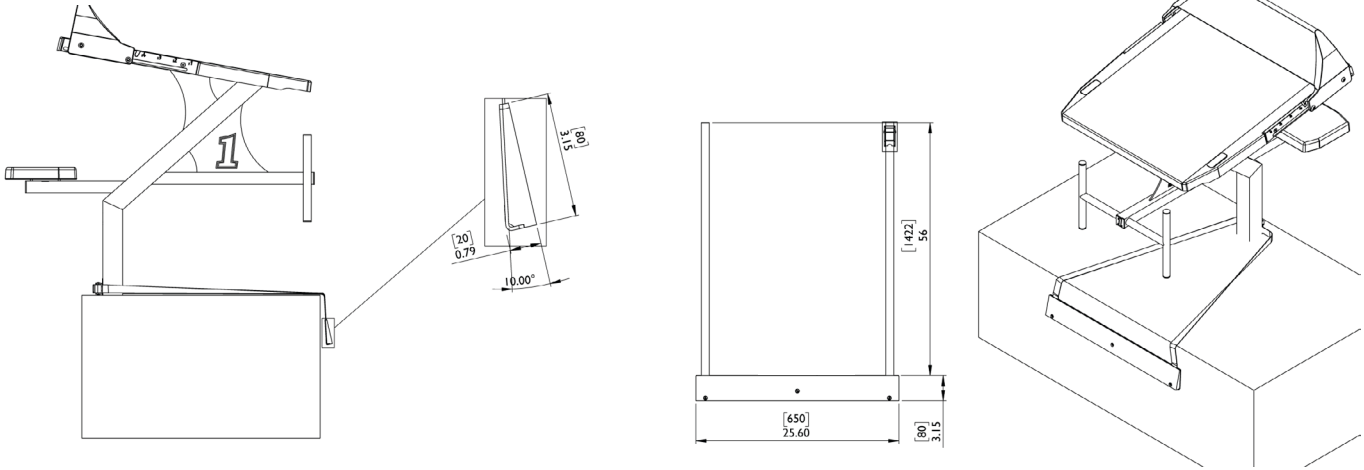
- Anti-slip backstroke ledge with raised diamond pattern
- Two 5-foot polyester straps with stainless steel cam buckle to secure and adjust height
- Works with a wide variety of starting platforms



# BACKSTROKE START SYSTEM BASE UNIT



# BACKSTROKE START TRAINING DEVICE



Part No.	Description	Weight	Shipping (Class 300)		
			Length	Width	Height
03-650T	Backstroke Start Training Device	3 lbs 1.4kg	2.5" 63mm)	3.5" 89mm	34.5" 876mm
BSS1000	Backstroke Start System	25 lbs 11kg	8" 203mm	8" 203mm	26" 660mm
13-600	In-Deck Anchoring Kit	5 lbs 2.3kg	6" 152mm	2" 51mm	2" 51mm
13-601	Pool Wall Mounting Kit w/ Strap	7 lbs 3.2kg	18" 457mm	4" 102mm	2" 51mm
13-603	Platform Post Mounting Kit	10 lbs 4.6kg	18" 457mm	12" 305mm	2" 51mm

# Accessories



## Velocity with Track Start Wedge Safety Cover

- Acrylic safety cover prevents unwanted jumping or diving
- Optional keyed cable lock
- Not for use with Velocity Starting Blocks with side handles - use Domed Acrylic Safety Cover (item #BLCVR-1317-WHT)

Part No.	Description
BLCVR-VELO-WHT	Velocity Starting Block Cover
BLCVR-VELO-WHT-L	Velocity Starting Block Cover with Lock
60-262-R	Replacement Label "Do Not Sit..." (Pair)



## Domed Acrylic Safety Cover

Starting block safety cover prevents unwanted diving or jumping.

Part No.	Description
BLCVR-1317-WHT	Starting Block Safety Cover
02-260-R	Replacement Label "Keep Off..." (Pair)



## Side Handles

Offers an additional starting technique option for advanced swimmers. Can be added to Velocity and Legacy Starting Blocks.

Part No.	Description
4-175A-R	Velocity Side Handles

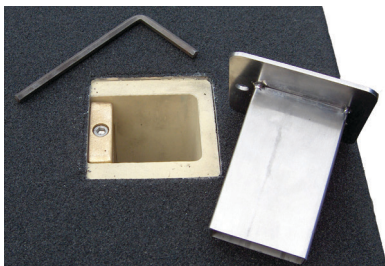


RockSolid Single Post Anchor



RockSolid Dual Post Anchor

RockSolid Anchor Safe-T-Cap (optional)



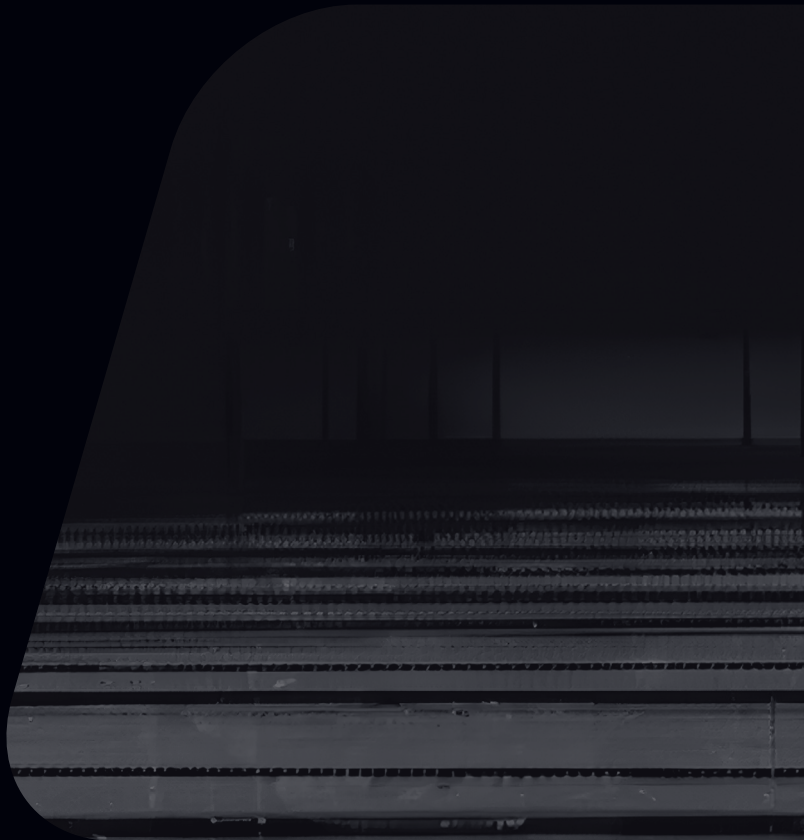
Utilizes same wedge bolt to tighten and secure in place, and sits flush to deck

## RockSolid® Anchor

The anchor securely “hugs” the frame and can be tightened with minimal effort.

- Heavy duty welded 304 stainless-steel construction
- Fully adjustable wedge assembly will expand and exert continuous, even pressure on the platform post to prevent starting platform movement
- Standard or optional Safe-T-Cap anchor cap can be used when starting platform is removed
- Anchor cap removal tool included
- Grounding lug

Part No.	Description
27-107	RockSolid Anchor and Cap
27-108	RockSolid Dual Post Anchor
27-109	Anchor Set Tool
4-113-1-R	Standard Anchor Cap
20-191	Safe-T-Cap Anchor Cap
20-240-R	Single Post, Top/Bottom Wedge Assembly
20-241-R	Single/Dual Post, Middle Wedge Assembly
20-242-R	Dual Post, Top/Bottom Wedge Assembly
5-215-1	Allen Wrench
27-107P	8" Anchor for Pavers & Cap
27-107-13	13" Anchor for Bulkhead & Cap
27-107-14	14" Anchor for Bulkhead & Cap
4-113-1P-R	Anchor Caps for Pavers



Pool Better™

A Fluidra Brand | SRSmith.com | 1.800.822.7933

©2024 Fluidra. All rights reserved. The trademarks and trade names used herein are the property of their respective owners. 98866\_SL

