



# POOL LIGHTING

OFFICIAL  
POOL  
EQUIPMENT  
SUPPLIER







# TABLE OF CONTENTS

## LED LIGHTS

micro LED Light.....	6
TREO® LED Light.....	7
kēlo®XL LED Light.....	9
Lighting Configuration Guide .....	11

## TRANSFORMERS/LIGHTING CONTROLS

poolLUX® Premier .....	12
poolLUX® Plus2 .....	13
poolLUX® Plus.....	14
poolLUX® Power .....	15

## ADVANCED APPLICATIONS

PT6001 & PT6002.....	16
Star Feature Kits.....	17

# LED LIGHTS

Reliable LED technology, flexible performance and energy efficient designs.



## micro

Accent light for water features, steps and shelves

- Compact design
- 2 Watt, 12VAC
- RGB LED Light
- 80' or 150' cord length options



## TREO®

Serviceable return fitting light for pools, spas and water features

- Field-replaceable lamp
- 5 Watt, 12VAC
- RGB LED Light
- 80' or 150' cord length options
- Fiberglass pool model available (FG Series)



## kēlo®XL

Large format 10" niche LED pool light ideal for new construction and retrofit applications

- Low-profile design
- Color RGB LED Light (38W)
- White LED Light (42W)
- 80' or 150' cord length options



# TRANSFORMERS / LIGHTING CONTROLS

Lighting control power units designed for safety, durability and hassle-free performance.



## Premier

CUSTOM LIGHTING CONTROL POWER UNIT

- Integrated control switches
- Wireless remote
- 49 custom color options
- 4 dimming levels (via wireless remote)
- 70W (7W per channel)
- Works exclusively with S.R.Smith Lights



## Plus2 and Plus

WIRELESS LIGHTING TRANSFORMER

- Integrated control switch
- Wireless remote
- 60W transformer (Plus)
- 1 or 2-zone control (Plus2)
- 120W total, 60W per zone (Plus2)



## Power

LIGHTING TRANSFORMER

- Integrated control switch
- 60W transformer



# FIBER OPTIC LIGHTING



## Star Feature Kits

Transform the night with LED-illuminated Fiber Optic Lighting.

S.R.Smith® offers two pre-configured Star Feature Kits in 25 or 50-points of light bundles that add amazing depth and richness to your poured concrete or stacked stone pool features including but not limited to pool and spa floors, stone walls, pool bar tops, concrete tables, etc.

# FIBER TO LED UPGRADES



## PT-6001 & PT-6002

Re-light your pools - Convert fading fiber to vibrant LED with these newly updated models. Designed to fit on existing 6000 & 2000 series fiber illuminator bases for Plug-&-Play convenience when adding a power unit for direct LED, retrofit lighting projects.

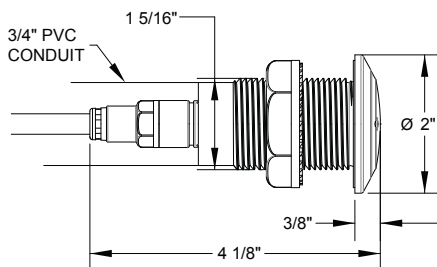
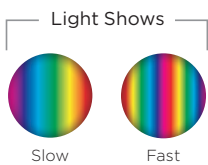
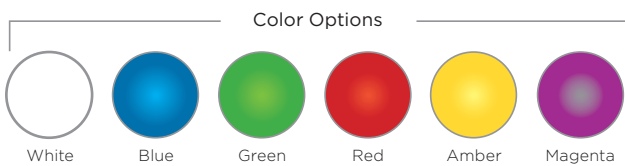


# micro LED Light

The micro is 12VAC, 2 Watt LED underwater light designed for accent lighting applications for gunite, vinyl-liner and fiberglass pools.



- Available in lengths of 80' or 150'
- No earth bonding required
- Color changing LED models available
- Color functionality:
  - Advanced operation with poolLUX Premier — Up to 49 color variations and dimming control (via wireless remote)
  - 12VAC operation — 6 colors (white, blue, green, red, amber, magenta) and 2 light shows
- Color memory function
- 5 colored trim rings included to match the surface of your pool
- Designed for use with 0.75" diameter conduit
  - Includes custom gunite & fiberglass wall fitting
  - Includes wall fitting adapter for 1.5" vinyl-liner wall fitting
- 3-Year Limited Warranty
- ETL Listed — Conforms to UL676
- Certified to CSA C22.2 #89
- Compatible with all S.R.Smith® lighting control power units

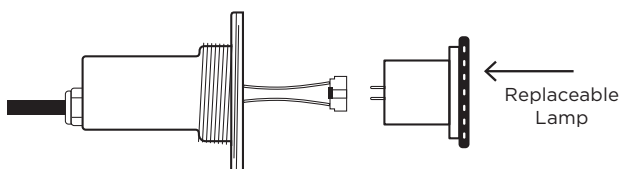
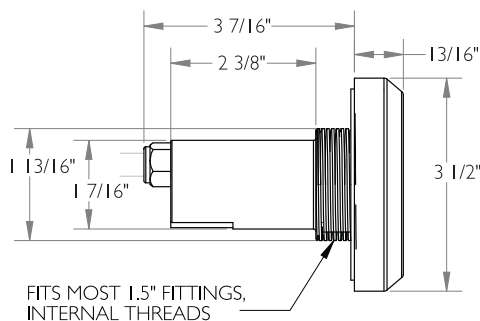
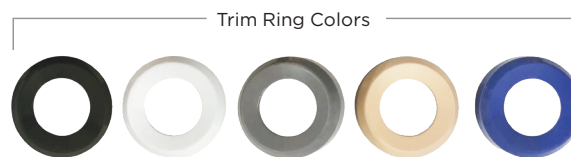
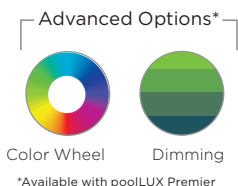
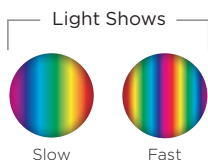
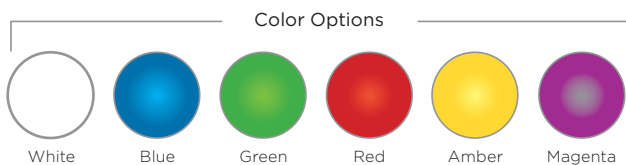


Part No.	Description
FLED-TM-C	(1) micro 2W RGB LED Light, 80' Cord
FLED-TM-C-PK10	(10) micro 2W RGB LED Lights, 80' Cord
FLED-TM-C-150	(1) micro 2W RGB LED Light, 150' Cord
FLED-TM-C-150-PK10	(10) micro 2W RGB LED Lights, 150' Cord
FLED-FA-TM	micro Fitting Adapter
FLED-FGGF-TM-R	micro Gunite Fitting, 3/4" PVC

# TREO<sup>®</sup> LED Light

The TREO is a 12VAC, 5 Watt LED underwater light for gunite, vinyl-liner, and fiberglass pools with a replaceable LED lamp.

- Serviceable design — Replaceable LED lamp
- Designed for use with 1.5" diameter threaded wall fittings
- Available in lengths of 80' or 150'
- No earth bonding required
- Color changing LED models available
- Color functionality:
  - Advanced operation with poolLUX Premier — Up to 49 color variations and dimming control (via wireless remote)
  - 12VAC operation — 6 colors (white, blue, green, red, amber, magenta) and 2 light shows
- Color memory function
- 5 colored trim rings included to match the surface of your pool
- 3-Year Limited Warranty
- ETL Listed — Conforms to UL676
- Certified to CSA C22.2 #89
- Compatible with all S.R.Smith<sup>®</sup> lighting control power units



Part No.	Description
FLED-C-TR	(1) TREO 5 Watt RGB LED Light, 80' Cord
FLED-C-TR-PK8	(8) TREO 5 Watt RGB LED Lights, 80' Cord
FLED-C-TR-150	(1) TREO 5 Watt RGB LED Light, 150' Cord
FLED-C-TR-150-PK8	(8) TREO 5 Watt RGB LED Lights, 150' Cord
FLED-VK-TR	TREO Vinyl Adapter Kit
FLED-LAU-C-R	RGB Replacement Lamp
FLED-LAU-W-R	White Replacement Lamp

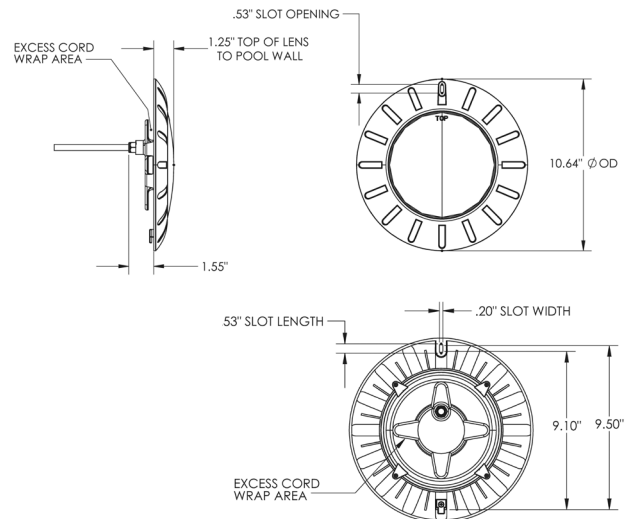
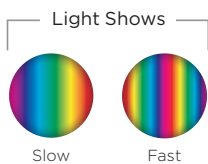
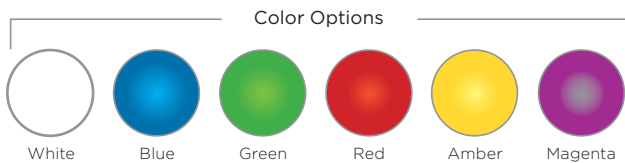




# kēlo<sup>®</sup> XL LED Light

The kēloXL is a 12VAC 10" class LED pool light for gunite, fiberglass and vinyl-liner pools.

- Low profile design
- RGB color model (38W)
- White only model (42W)
  - 2,395 lumens and is equivalent to 300W incandescent light
- No bonding or grounding required
- Corrosion resistant, sealed design
- Diamond pattern lens
- 80' and 150' cord options with built-in cord keeper
- Trim plate available in White or Gray
- Color functionality:
  - 6 colors (white, blue, green, red, amber, magenta) and 2 light shows
- 3-Year Limited Warranty
- ETL Listed – Conforms to UL676
- Certified to CSA C22.2 #89
- Compatible with most S.R.Smith<sup>®</sup> transformers excluding poolLUX Premier



Part No.	Description
KLED-C-XL-80	kēloXL 38W RGB LED 10" Light, 80' cord, White Trim Plate
KLED-C-XL-150	kēloXL 38W RGB LED 10" Light, 150' cord, White Trim Plate
KLED-C-XL-G-80	kēloXL 38W RGB LED 10" Light, 80' cord, Gray Trim Plate
KLED-C-XL-G-150	kēloXL 38W RGB LED 10" Light, 150' cord, Gray Trim Plate
KLED-W-XL-80	kēloXL 42W White LED 10" Light, 80' cord, White Trim Plate
KLED-W-XL-150	kēloXL 42W White LED 10" Light, 150' cord, White Trim Plate
KLED-W-XL-G-80	kēloXL 42W White LED 10" Light, 80' cord, Gray Trim Plate
KLED-W-XL-G-150	kēloXL 42W White LED 10" Light, 150' cord, Gray Trim Plate



# Lighting Configuration Guide




Combine S.R.Smith® lights and lighting controls for maximum features and endless possibilities.



## LIGHTS

Features	micro	TREO	kēlo®XL
Compatible with poolLUX™ Power, Plus, Plus2 and Premier	✓	✓	✓ (excludes Premier)
Field replaceable lamp		✓	
Cord lengths available	80', 150'	80', 150'	80', 150'
6 colors / 2 shows (via 12 VAC operation) Color RGB LED (white, blue, green, red, amber and magenta)	✓	✓	✓ (or White Only)
49 color options & dimming levels with poolLUX™ Premier	✓	✓	not compatible
Accent lighting (water features, steps, shelves, bubblers, landscaping and more)	✓		
ETL listed - Conforms to UL 676, certified to CSA C22.2 #89	✓	✓	✓
Power consumption	2W	5W	Color 38W White 42W
Fits conduit down to 0.75"	✓		
Limited Warranty	3 Years	3 Years	3 Years
Pool Type	Fiberglass/Vinyl-Liner/Gunite	Fiberglass/Vinyl-Liner/Gunite	Vinyl-Liner or Gunite
Pool Stage	New Construction, Renovation or Replacement/Repair		
Use Cases	Perfect accent light for spas, steps, water features, bubblers and landscaping.	Tried and true serviceable LED light.	Economical and bright LED replacement light for 10" wet niche lights.

## LIGHTING CONTROLS & TRANSFORMERS

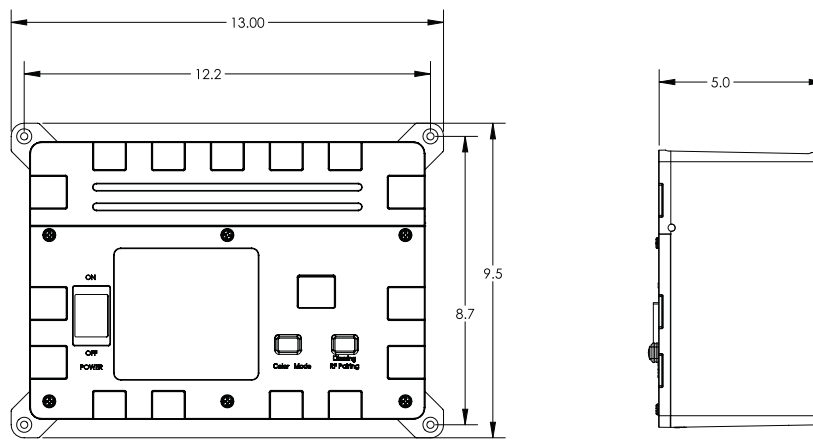
Configuration Options	micro	TREO	kēlo®XL
poolLUX® Premier 70W on 10 - 7W circuits up to 49 color options, 2 shows and 4 dimming levels 	up to 30 Lights (up to 3 lights per circuit)	up to 10 Lights (1 light per circuit)	not compatible
poolLUX® Plus2 120W Transformer (Dual zone - 60W per zone) 	up to 27 lights per zone 27 (x2 zones) = 54 lights	11 lights per zone 11 (x2 zones) = 22 lights	1 light per zone
poolLUX® Plus and Power 60W Transformers 	up to 27 lights	up to 11 lights	1 light

Have questions? Our Lighting Specialists are here to help! Call 1.800.824.4387 or email [customer care@srsmith.com](mailto:customer care@srsmith.com)

# poolLUX<sup>®</sup> Premier

## Custom Lighting System with Wireless Control

- Works exclusively with S.R.Smith<sup>®</sup> LED lights
- Extended range (100' line of sight) wireless remote with color selection wheel and dimming bar
- 6 standard colors and 2 shows via on/off power toggle
- Up to 49 color variations via color selection wheel
- Multiple brightness (dimming) options available
  - 4 via wireless remote dimming bar and 15 available via the control panel dimming button
- 10 wiring station system with a built in 70W power supply (7W max per station)
- Corrosion resistant (NEMA 3R), sound dampening housing
- 6 low-voltage and 2 line-voltage combination drillouts (3/4" or 1")
- ETL Listed - Conforms to UL 379 (Pool, Spa and Fountain Power Unit Standard)
- Certified to CSA C22.2#218.1
- 2-Year Limited Warranty

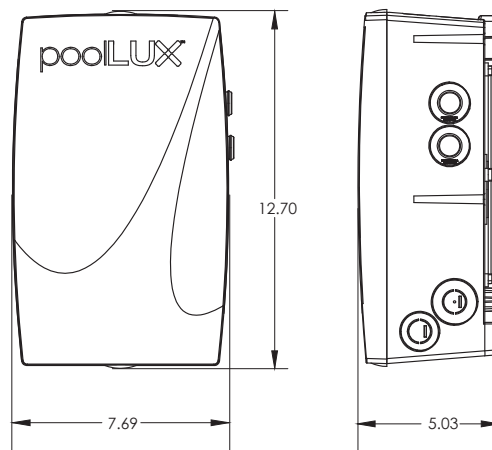


Part No.	Description
pLX-PRM	(1) poolLUX Premier Control System with Wireless Remote

# poolLUX<sup>®</sup> Plus2

## Dual Zone Transformer with Wireless Control

- Two 60W low-voltage transformers
- Independent or synchronized control of each transformer
- External illuminated control switches for each transformer
- Extended range (100' line of sight) wireless remote with one-touch color sync for S.R.Smith LED lights
  - S.R.Smith LED lights feature 6 colors and 2 shows
- Compatible with other 12VAC power toggle LED lights
- Oversized wiring space with convenient terminal strip connections
- Internal self-resetting thermal fuse to protect against overheating conditions
- Fast acting replaceable current fuse for safety enhancing short circuit protection
- Accessible low voltage 12VAC and 13VAC wiring terminals for standard or extended wiring runs
- Corrosion resistant (NEMA 3R) and sound dampening housing (quiet operation)
- 4 low-voltage and 4 line-voltage combination drillouts (3/4" or 1") plus 2 special use drillouts
- ETL Listed - Conforms to UL 379 (Pool, Spa and Fountain Power Unit Standard)
- Certified to CSA C22.2#218.1
- 2-Year Limited Warranty

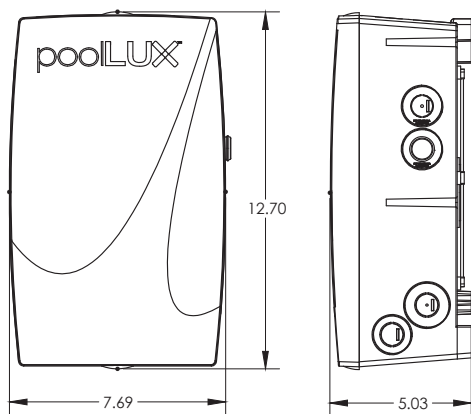


Part No.	Description
pLX-PL2	Dual-Zone; Two 60W Transformer with Wireless Remote Control. Total wattage: 120W
<b>poolLUX Plus2 Kits with TREO LED Lights</b>	
2TR-pLX-PL2	(1) poolLUX Plus2 - (2) TREO 5 Watt RGB LED Lights, 80' cord
3TR-pLX-PL2	(1) poolLUX Plus2 - (3) TREO 5 Watt RGB LED Lights, 80' cord

# poolLUX<sup>®</sup> Plus

## Transformer System with Wireless Control

- 60W low-voltage transformer
- External on/off control switch
- Extended range (100' line of sight) wireless remote with one-touch color sync for S.R.Smith LED lights
  - S.R.Smith<sup>®</sup> LED lights feature 6 colors and 2 shows
- Compatible with other 12VAC power toggle LED lights
- Oversized wiring space with convenient terminal strip connections
- Internal self-resetting thermal fuse to protect against overheating conditions
- Fast acting replaceable current fuse for safety enhancing short circuit protection
- Accessible low voltage 12VAC and 13VAC wiring terminals for standard or extended wiring runs
- Corrosion resistant (NEMA 3R) and sound dampening housing (quiet operation)
- 4 low-voltage and 4 line-voltage combination drillouts (3/4" or 1") Plus 2 special use drillouts
- ETL Listed - Conforms to UL 379 (Pool, Spa and Fountain Power Unit Standard)
- Certified to CSA C22.2#218.1
- 2-Year Limited Warranty

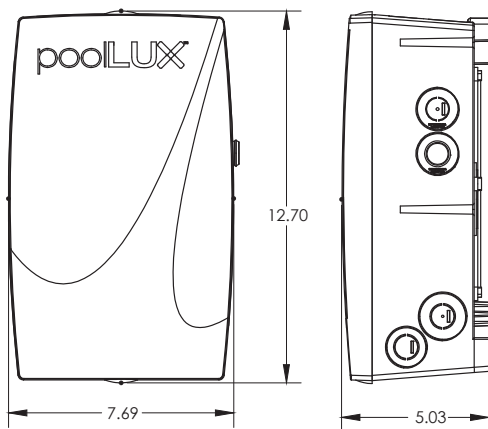


Part No.	Description
pLX-PL60	(1) poolLUX Plus 60 Watt Transformer with Wireless Remote
poolLUX Plus Kits with TREO LED Lights	
2TR-pLX-PL60	(1) poolLUX Plus 60 - (2) TREO 5 Watt RGB LED Lights, 80' cord
3TR-pLX-PL60	(1) poolLUX Plus 60 - (3) TREO 5 Watt RGB LED Lights, 80' cord

# poolLUX<sup>®</sup> Power

## Low Voltage Transformer

- 60W low-voltage transformer options
- External on/off control switch
- Compatible with S.R.Smith LED lights and other 12VAC power toggle LED lights
  - S.R.Smith LED lights feature 6 colors and 2 shows
- Oversized wiring space with convenient terminal strip connections
- Internal self-resetting thermal fuse to protect against overheating conditions
- Fast acting replaceable current fuse for safety enhancing short circuit protection
- Accessible low-voltage 12VAC and 13VAC wiring terminals for standard or extended wiring runs
- Corrosion resistant (NEMA 3R) and sound dampening housing (quiet operation)
- 4 low-voltage and 4 line-voltage combination drillouts (3/4" or 1") Plus 2 special use drillouts
- ETL Listed - Conforms to UL 379 (Pool, Spa and Fountain Power Unit Standard)
- Certified to CSA C22.2#218.1
- 2-Year Limited Warranty



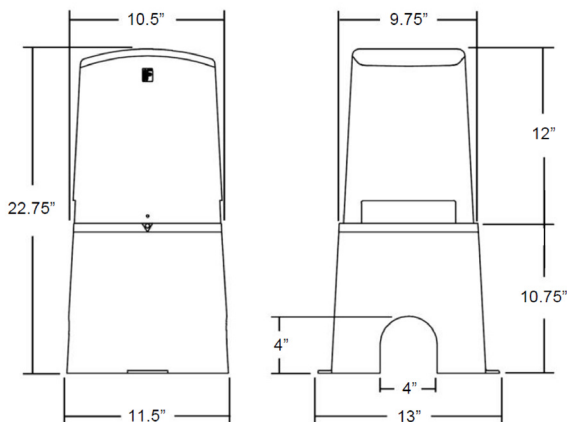
Part No.	Description
pLX-PW60	(1) poolLUX Power 60 Watt Transformer
poolLUX Power Kits with TREO LED Lights	
2TR-pLX-PW60	(1) poolLUX Power 60 - (2) TREO 5 Watt RGB LED Lights, 80' cord
3TR-pLX-PW60	(1) poolLUX Power 60 - (3) TREO 5 Watt RGB LED Lights, 80' cord

# Power Tower PT-6001 & PT-6002

## Fiber to LED Conversion Kits

The new & improved PT-6001 & PT-6002 fiber to LED conversion kits are an energy efficient, and easy way to retrofit original fiber installations that used Fiberstars 6000/2000 Series fiber illuminators.

- Available as single 60 Watt, 1-circuit unit (PT-6001) or dual 60 Watt, 2-circuit unit (PT-6002) with sync or independent circuit control
- Both models include 12VAC and 13VAC output options and an auto-resetting thermal fuse for overloading and replaceable current fusing for enhanced water safety
- New screwless terminals for reliable, quick and easy connections in half the time (compared to original PT-6000) – no wire nuts required
- Wireless remote control with one-touch color sync for S.R.Smith® LED lighting products
- Corrosion-resistant polycarbonate enclosure rated NEMA 3R
- ETL Listed – Conforms to UL 379
- Certified to CSA C22.2#218.1
- 2-Year Limited Warranty



Part No.	Description
PT-6001	(1) PT-6001 Power 60W Transformer with Wireless Remote
PT-6002	(1) PT-6002 Dual Zone; Two 60W Transformers with Wireless Remote Control
PT-BASE	(1) PT-6000 Series Base

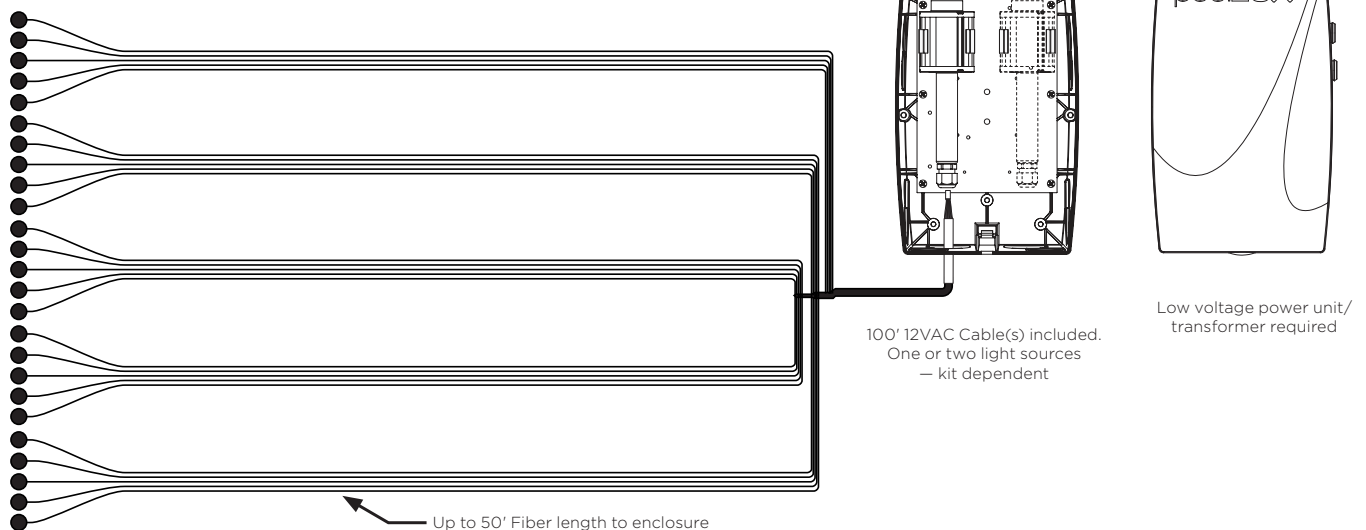


# LED Star Feature Kits

LED Star Feature kits include either a single or dual 12VAC, 5 watt LED light source with a 25- or 50-point fiber optic transmission system for gunite pools or other concrete based features such as patios, walk ways, bar tops, stone/paver walls, etc. These upgraded kits come in a corrosion resistant, wall- or post-mounted, NEMA 3R enclosure and offer up to 50' fiber runs.



- 25 or 50 Star Points
- Advanced color functionality when powered by a poolLUX Premier control unit:
  - Up to 49 color variations and dimming control (via wireless remote)
  - 12VAC operation — 6 colors (white, blue, green, red, amber, magenta) and 2 light shows
- ETL Listed — Conforms to UL 2108
- Certified to CSA C22.2 #250
- Compatible with all S.R.Smith lighting transformers and control power units
- Memory function
- 100' of 12VAC cable
- Includes 50' fiber
- 3-Year Limited Warranty



Part No.	Description
CLSSFK25-50	(1) Star Series RGB LED Light Kit - 25 Fiber Optic Star Points, 50' fiber cable
CLSSFK50-50	(1) Star Series RGB LED Light Kit - 50 Fiber Optic Star Points, 50' fiber cable

Part No.	Description
pLX-PRM	(1) poolLUX Premier Control System with Wireless Remote
pLX-PL2	(1) poolLUX Plus2 Dual-Zone/Two 60W (Total 120W) Transformers with Wireless Remote

# Transform



## Star Feature Kits

Designed to bring awe-inspiring ambiance to any pool setting, Stars can be placed inside or outside the pool to enhance the overall look and feel whether it's a patio (as shown below bottom left) or any other place you choose to add a custom lighting effect that blends the desired aesthetic of fiber optic with energy-efficient LED illumination.

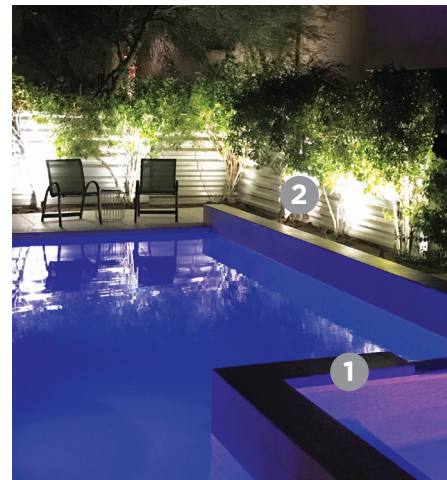
## More Features, More Durability, More Space, More Value.



- 1 = Pool Lights
- 2 = LED Star Feature Lights



- 1 = 2 TREO LED Lights
- 2 = 1 Micro LED Light



- 1 = Pool/Spa
- 2 = Landscape Lights

Our poolLUX Plus2 and Power Tower PT-6002 provide dual-zone capabilities, designed for applications where 2 zones of lighting are desired.

# your Pool and Patio

## FIBER TO LED TRANSFORMATION

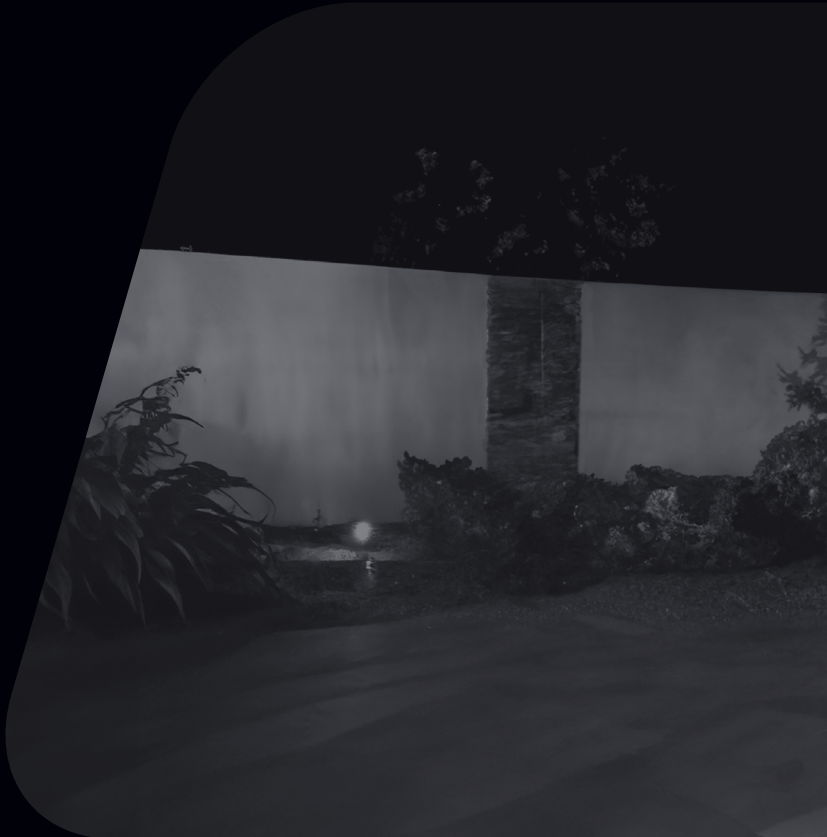


**BEFORE**  
5 Fiber Optic Lights

**AFTER**  
3 LED Lights

### Power Tower (PT-6001 & PT-6002) Fiber to LED Conversion Kits

Between the 1980s and early 2000s fiber optic lighting was commonly used in swimming pools. Over time, fiber can degrade, leaving pools looking dark, dull, and dated. S.R.Smith® Power Tower Fiber to LED Conversion Kits give builders and service companies a solution to upgrade fading fiber to LED lighting using the existing fiber conduit.



Pool **Better**<sup>™</sup>

A Fluidra Brand | [SRSmith.com](http://SRSmith.com) | 1.800.822.7933

©2024 Fluidra. All rights reserved. The trademarks and trade names used herein are the property of their respective owners. 99856\_SL

