

PROJECT INFORMATION

PROJECT NAME _____

RESIDENTIAL

COMMERCIAL

Requires ICC code 1607.8.1 (Commercial projects only)

CONTACT INFORMATION

DISTRIBUTOR NAME _____

DISTRIBUTOR CONTACT NAME _____

DISTRIBUTOR ADDRESS _____

CITY _____

STATE _____

ZIP _____

DISTRIBUTOR PHONE _____

DISTRIBUTOR EMAIL _____

TUBING OUTSIDE DIAMETER

1.50"

1.90"

**Standard .120" wall thickness*

WALL THICKNESS

.049"

.065"

.109"

.120"

.145"

***Standard 1.50" tubing outside diameter*

GRADE

304 (Standard)

316L (Marine)

POWDER COATING (Escutcheons not included)

NONE

WHITE

BLACK

COPPER VEIN

SILVER GRAY

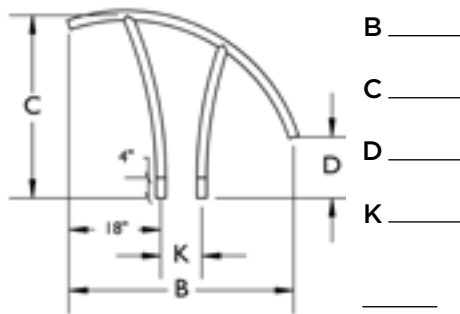
TAUPE

ROCK GRAY

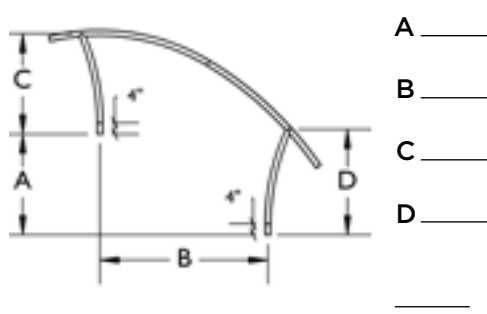
HAMMERTONE GRAY

HANDRAIL PATTERN

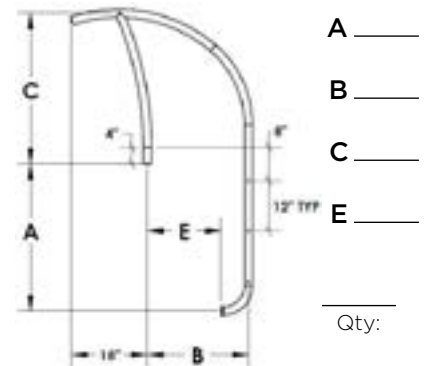
ART-1001



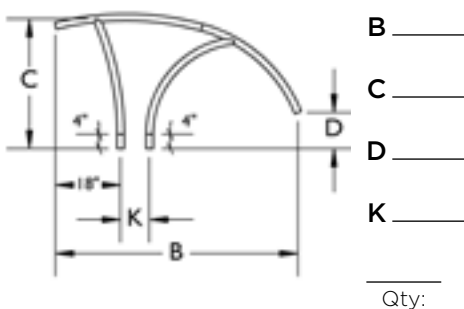
ART-1002



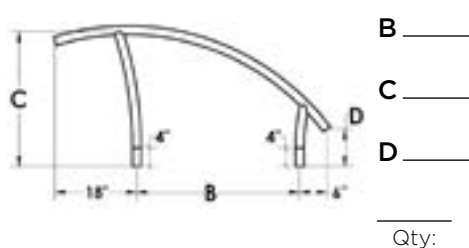
ART-1003



ART-1004



ART-1005



Number of Steps _____
 Cross Brace

All leg lengths should include the amount to be inserted into the anchor